

# WS-TSS

## SMD Tact Switch

6 x 6 mm

### Characteristics

#### MATERIAL

- Cover: Stainless Steel
- Stem: LCP, UL 94V-0
- Frame: LCP, UL 94V-0
- Contact: Stainless Steel with silver cladding
- Terminal: Silver plated

#### ENVIRONMENTAL

- Storage condition: -40 °C ~ +85 °C
- Operation condition: -40 °C ~ +85 °C
- Compliance: Lead free, RoHS

#### ELECTRICAL

- Contact rating: 50 mA, 12 V<sub>DC</sub>
- Contact resistance: 100 mΩ max.
- Insulation resistance: >100 MΩ at 500 V<sub>DC</sub>
- Dielectric strength: 250 V<sub>AC</sub>/minute
- Stroke: 0.25 ± 0.15 mm

#### SOLDERING

- Reflow soldering: JEDEC J-STD-020D

#### PACKAGING

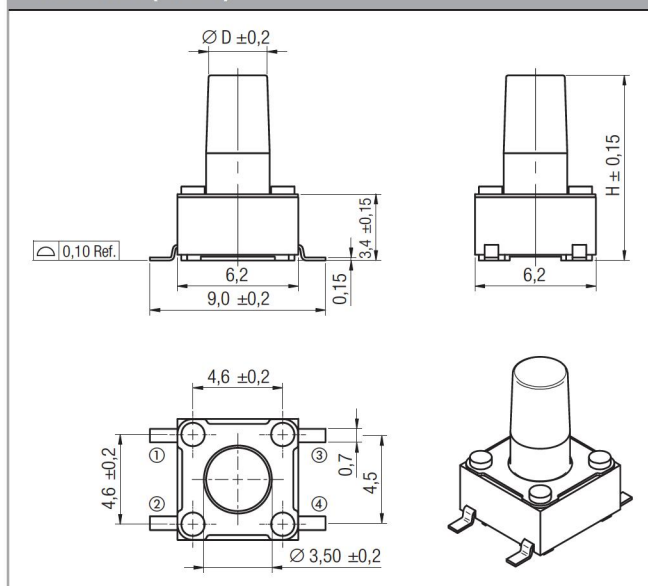
- Reel



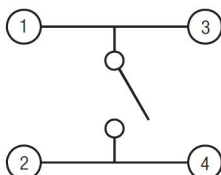
### Dimensions (in mm)

Order Code	Force (g)	H (mm)	Colour of stem	Life cycle	Packaging Unit
430 182 043 816	160 ±50	4.3	black	1 000 000	1000
430 182 050 816	160 ±50	5.0	black	1 000 000	1000
430 182 070 816	160 ±50	7.0	black	1 000 000	550
430 182 095 816	160 ±50	9.5	black	1 000 000	400
430 182 130 816	160 ±50	13.0	black	1 000 000	300
430 152 043 826	260 ±50	4.3	white	200 000	1000
430 152 050 826	260 ±50	5.0	white	200 000	1000
430 152 070 826	260 ±50	7.0	white	200 000	550
430 152 095 826	260 ±50	9.5	white	200 000	400
430 152 130 826	260 ±50	13.0	white	200 000	300
430 152 043 836	360 ±50	4.3	salmon	200 000	1000
430 152 050 836	360 ±50	5.0	salmon	200 000	1000
430 152 070 836	360 ±50	7.0	salmon	200 000	550
430 152 095 836	360 ±50	9.5	salmon	200 000	400
430 152 130 836	360 ±50	13.0	salmon	200 000	300

### Dimensions (in mm)



### Schematic



### PCB Layout (in mm)

