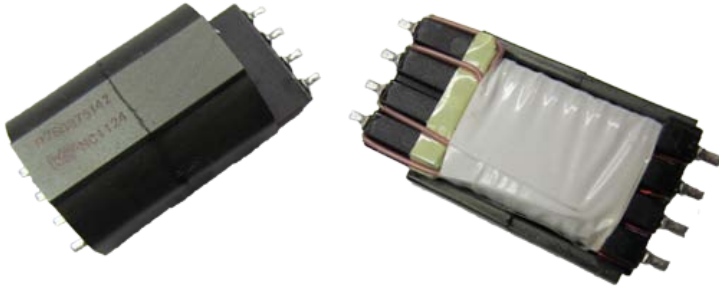


**T8
Transformer
(SMD)**

Midcom



Surface Mount T8 Transformer for LED Tube Lighting



Characteristics

- Rounded core to maximize area
- 20W power capability
- High efficiency
- Low leakage inductance
- Shielded construction
- Excellent EMI performance
- Operating temp: -40°C to 125°C

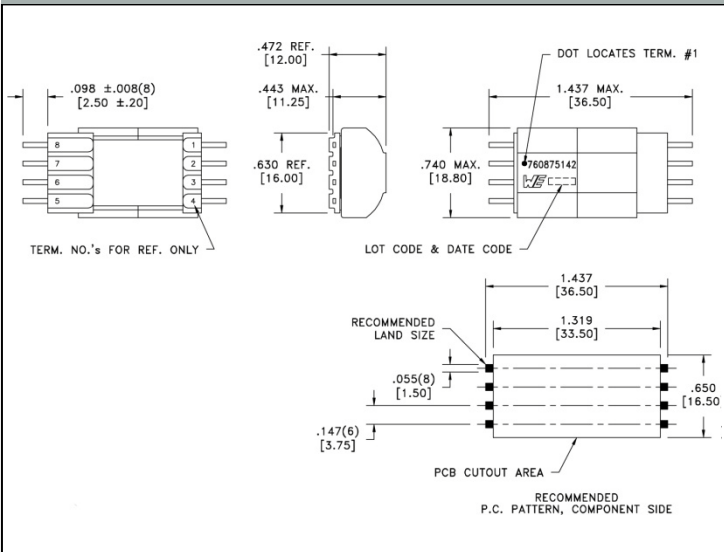
Applications

- LED driver for T8 tube lighting
- Flyback
- Functional, basic, supplementary or reinforced isolation

Patent Pending



Mechanical - 760875142



Electrical Properties

Parameter	Test Conditions	Value
D.C. Resistance	1-2 @ 20°C	2.000 ohms max.
D.C. Resistance	3-4 @ 20°C	0.270 ohms max.
D.C. Resistance	5-8 @ 20°C	0.026 ohms max.
Inductance	1-2 10kHz, 100mV _{AC} , L _s	2.500mH ±10%
Saturation Current	1-2 2.000mH min.	480mA
Leakage Inductance	1-2 Tie (3+4+8) 10kHz, 100mV _{AC} , L _s	40µH max.
Dielectric	1-8 Tie (2+3), 4500V _{AC} , 1 sec.	-
Turns Ratio	(2-1):(4-3)	16.67:1, ±2%
Turns Ratio	(2-1):(8-5)	12.5:1, ±2%

Electrical specifications @ 25°C unless otherwise noted:

Schematic

