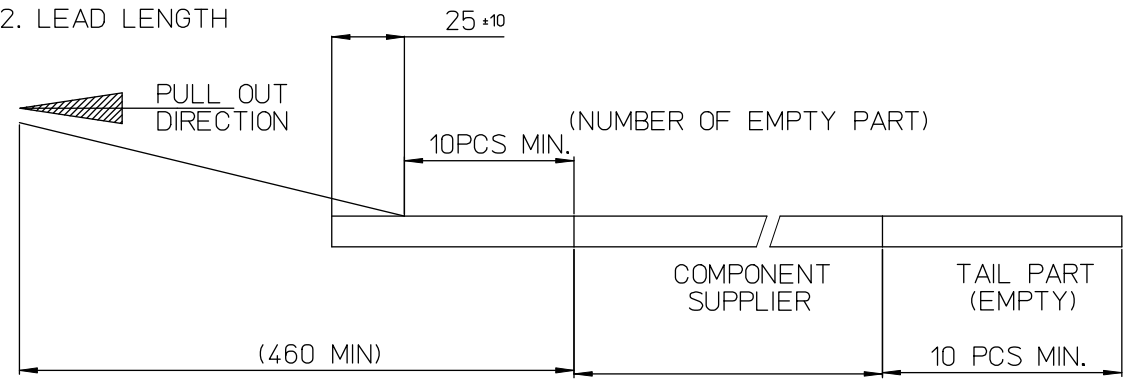


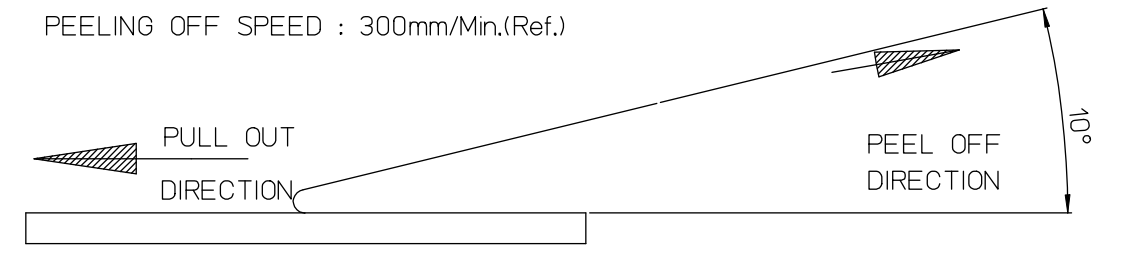
NOTES

1. QUANTITY OF CONNECTORS : 1,500 PCS/REEL

2. LEAD LENGTH



3. PEELING OFF FORCE OF COVER TAPE : 0.1N~0.59N(10.2GF~60GF)
 (PEELING DIRECTION AS SHOW IN FOLLOW FIG.)
 PEELING OFF SPEED : 300mm/Min.(Ref.)

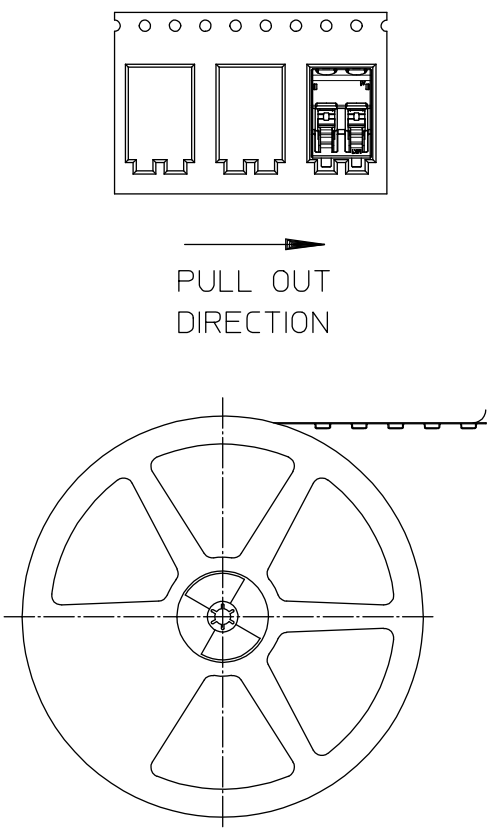


4. FLASH IN ANY PORTION SHOULD BE LESS THAN 0.20mm MAX.
 5. UNLESS OTHERWISE SPECIFIED INNER R0.2 MAX

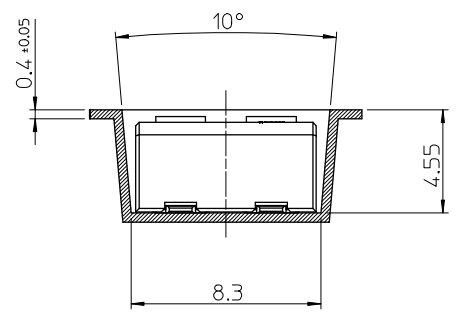
[TABLE]

1041880210	104188-0210	NATURAL	24.0mm	104188-9002
MATERIAL NO.	NO.	COLOR	TAPE WIDTH	EMBOSS TAPE
	CONNECTOR			

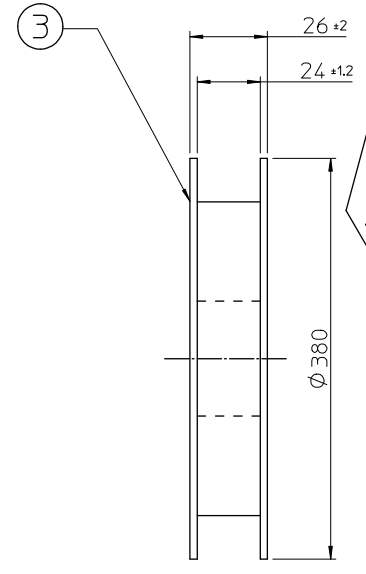
3	PLASTIC BOBBIN	HI P.S	WHITE
2	COVER TAPE	PET ANTISTATIC	21.3m
1	CARRIER (EMBOSSSED) TAPE	PET ANTISTATIC	
NO.	DESCRIPTION	MATERIAL	REMARK



PLASTIC BOBBIN



Section B-B



PRE-RELEASE
 REFERENCE
 USE ONLY

PRELIMINARY
 EC NO:
 DRWN: JS.SHIN 2013/03/12
 CH'KD:
 APPR:

QUALITY SYMBOLS	GENERAL TOLERANCES (UNLESS SPECIFIED)	DIMENSION STYLE MM ONLY	SCALE 3/1	DESIGN UNITS METRIC	THIRD ANGLE PROJECTION
▽=0	4 PLACES ±	mm	DRAWN BY JS.SHIN	DATE 2013/03/12	S-Poke Connector Header Ass'y 2P Embossed Package
▽=0	3 PLACES ±	INCH	CHECKED BY SH.CHU	DATE 2013/03/12	
	2 PLACES ± 0.20		APPROVED BY YS00.KIM	DATE 2013/03/12	
	1 PLACE ± 0.20		MATERIAL NO. 1041880210	DOCUMENT NO. SD-104188-004	
	0 PLACE ±		SIZE A3	SHEET NO. 1 OF 1	
	ANGULAR ± 3 °		THIS DRAWING CONTAINS INFORMATION THAT IS PROPRIETARY TO MOLEX INCORPORATED AND SHOULD NOT BE USED WITHOUT WRITTEN PERMISSION		
	DRAFT WHERE APPLICABLE MUST REMAIN WITHIN DIMENSIONS				