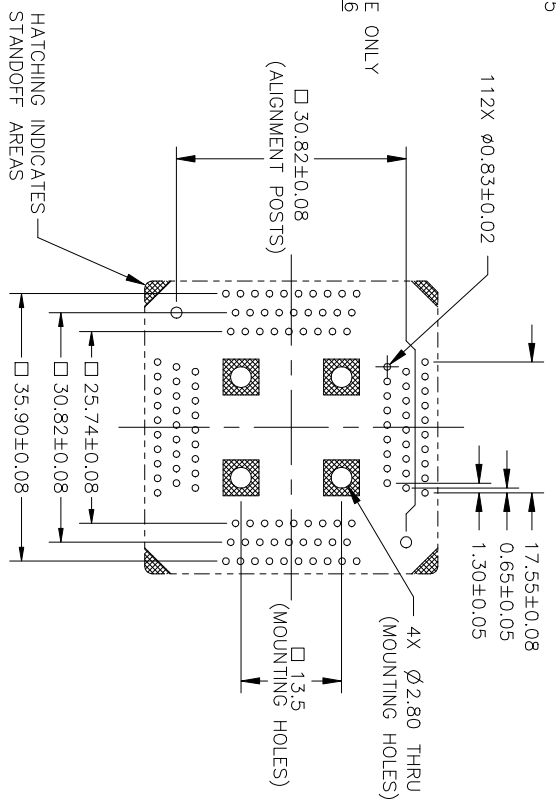


ALL PACKAGE DIMENSIONS ARE FOR REFERENCE ONLY
PACKAGE SPECIFICATION IS JEDEC MS-026



REV	ECO	DESCRIPTION	DATE	APPD
C	2186	REDRAWN	9/12/94	PHH
D	2265	20mm FAMILY PRINT CHECK	2/14/95	PHH
E	2394	7020-112-1-08 WAS -00	1/16/96	RRG
F	3149	CONTACT MAT'L 17410 WAS 190	5/18/98	SJC
G	3189	ADD NOTES 3 & 4 TO DWG.	6/16/98	SJC
G1	3619	GENERAL UPDATES		SJC

- NOTES:
- MATERIAL & FINISH:
SOCKET LID - POLYETHERIMIDE OR EQUIVALENT.
SOCKET BASE - POLYETHERIMIDE OR EQUIVALENT.
CONTACTS - BeCu, SELECTIVE Au-SnPd OVER Ni PLATING.
SPRINGS - STAINLESS STEEL, PASSIVATED.
 - MARKING: 2.0 HIGH, COLOR - WHITE.
 - REFER TO SK-0283 FOR CONTACT SEATING HEIGHTS.
 - REFER TO SK-0319 FOR NAIL/RIVET PRESS HEIGHTS.

DIMENSIONS ARE IN MILLIMETERS	TOLERANCES ANGLES ± 1°
INTERPRET PER ANSI Y14.5M-1982	XXX = ±.3
	XXX = ±.12

THIS DOCUMENT CONTAINS PROPRIETARY INFORMATION WHICH IS THE CONFIDENTIAL PROPERTY OF:
CTI TECHNOLOGIES, INC.
PHOENIX, AZ 85027

SPEC	JEDEC MO-026
DRWN	P. HARPER 7/11/94
ENGR	
APPD	

CTI
A SUBSIDIARY OF **pcd**

PROJECTION

SIZE DWG NO. **7020-112-1-08**

SCALE: 2 : 1 SHEET 1 OF 1

TQFP SOCKET ASSEMBLY (20mm, 112 LD)

REV **G1**