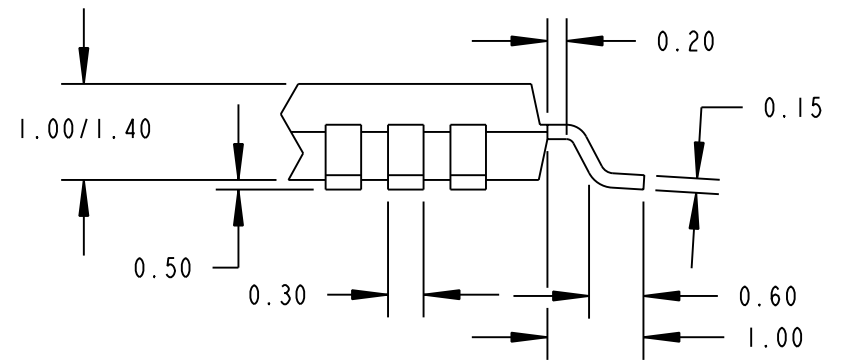
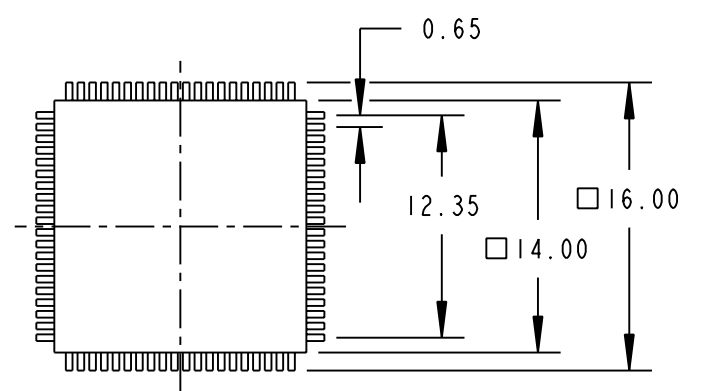
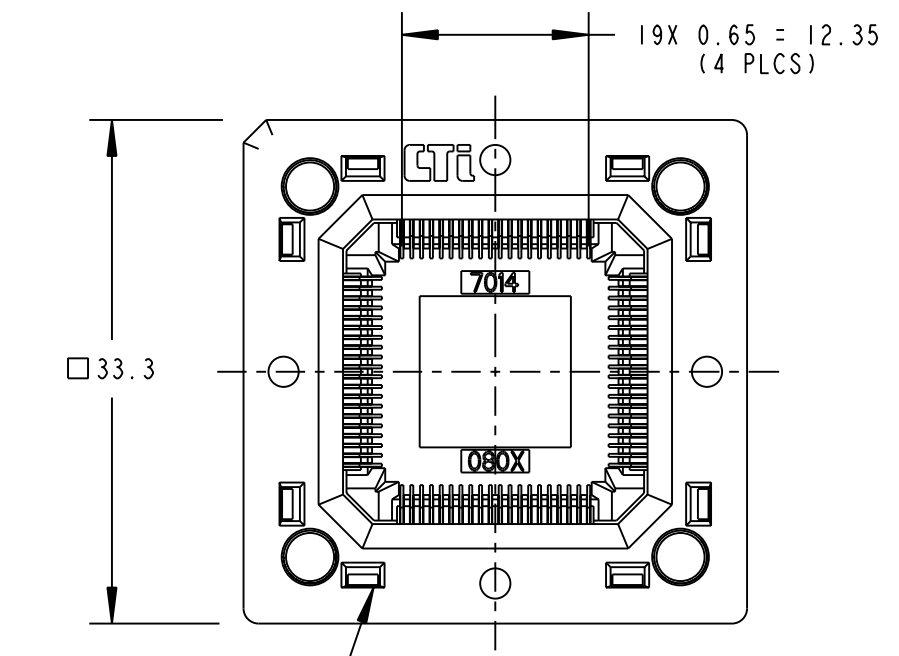
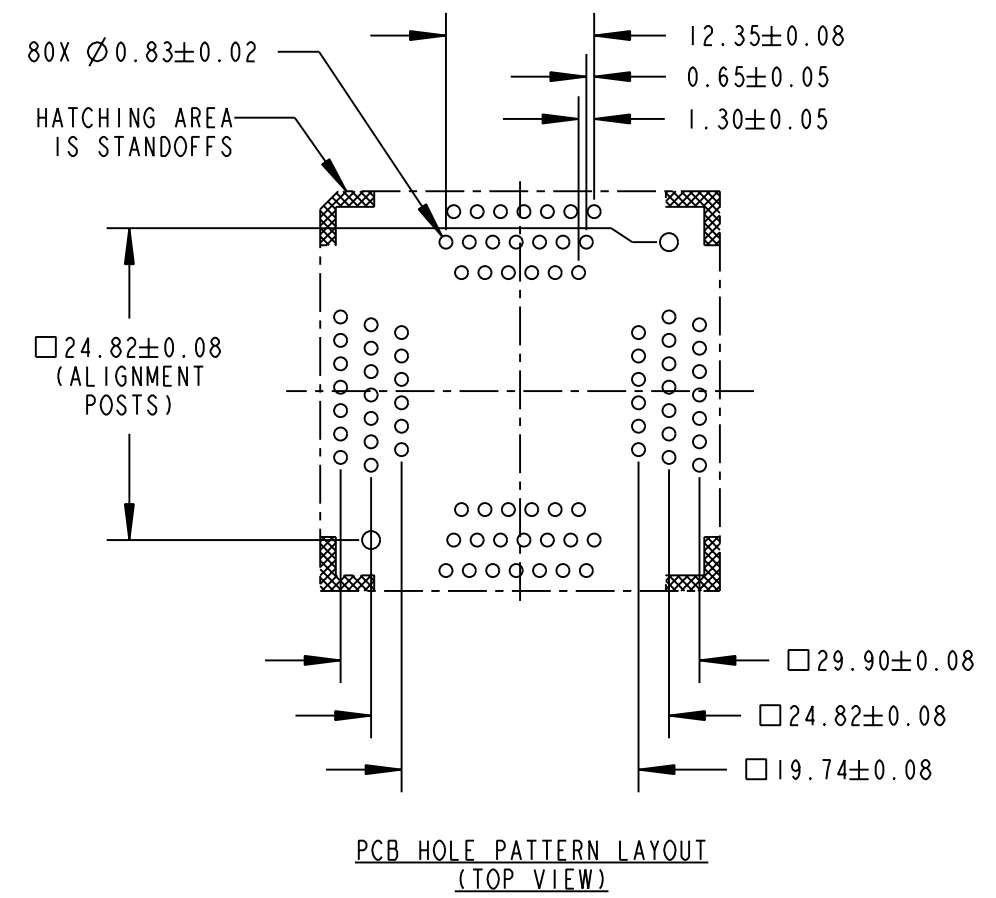
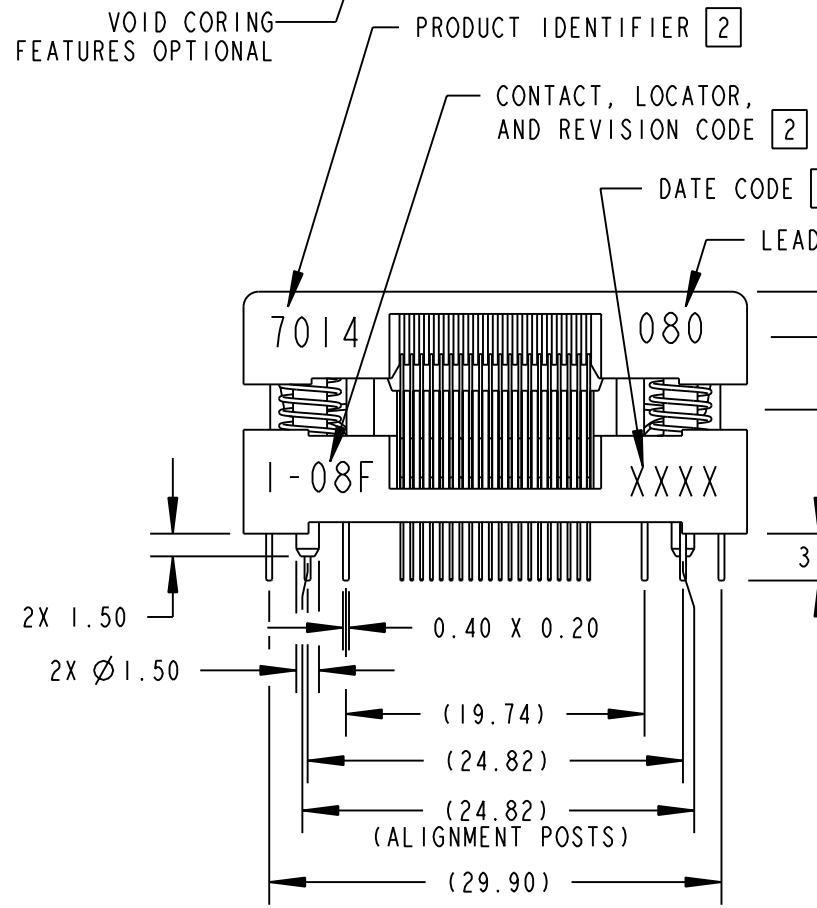


A	C	P	REV	DATE	BY	ECN #	REV	DATE	BY	ECN #	REV	DATE	BY	ECN #
X	-	-	E	5/18/98	SC	3149	F	6/12/98	SC	3188	F1		SC	3618



ALL PACKAGE DIMENSIONS ARE FOR REFERENCE ONLY
PACKAGE SPECIFICATION IS JEDEC MS-026



- NOTES:
- MATERIAL AND FINISH:
SOCKET LID - POLYETHERIMIDE
SOCKET BASE - POLYETHERIMIDE
CONTACTS - BeCu, SELECTIVE Au-SnPb OVER Ni PLATING
SPRINGS - STAINLESS STEEL, PASSIVATED
 - MARKING: 2.0 HIGH, COLOR - WHITE
 - REFER TO SK-0283 FOR CONTACT SEATING HEIGHTS.
 - REFER TO SK-0319 FOR NAIL/RIVET PRESS HEIGHTS.

LEGEND		MATERIAL/FINISH	DRAWN	CHECKED	ENGINEER	ENGR. SUPRV.	MFG. ENG.	MOLDING	TOOLING	WELLS-CTI Phoenix Arizona USA A subsidiary of PCD Inc.	
©	CRITICAL									TQFP SOCKET ASSEMBLY (14mm, 80ld)	
0	NUMBER OF © USED									PART NUMBER	REV
SIZE	PROJECTION	PROJECT/SERIES		7014-080-1-08		SCALE 2.0:1		UNITS: mm [in]		CAD NUMBER	
B		DO NOT SCALE								SHEET 1	