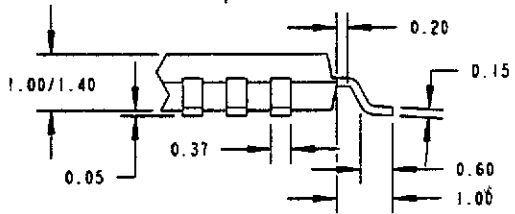
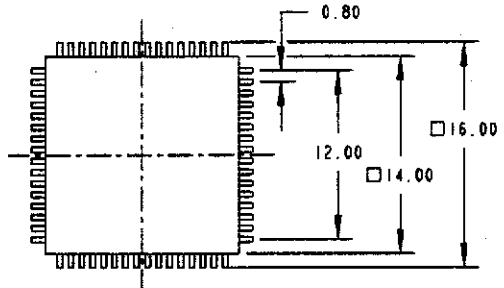
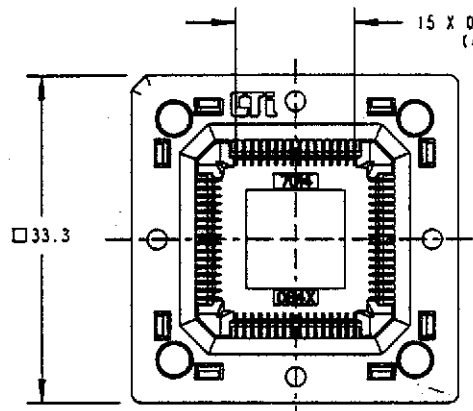
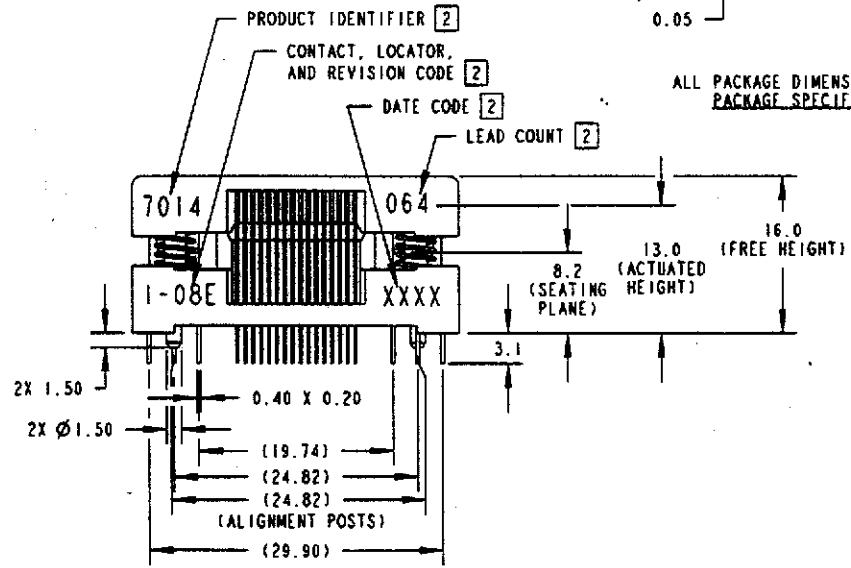
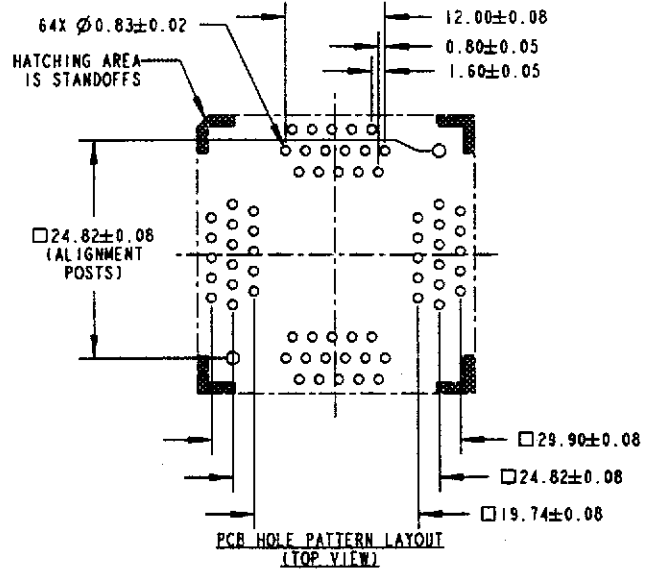


A	C	P	REV	DATE	BY	ECN #	REV	DATE	BY	ECN #	REV	DATE	BY	ECN #
X	-	-	E	6/12/98	SC	3188	E1	11/16/99	SC	3617	E2	4-5-00	SC	3755



ALL PACKAGE DIMENSIONS ARE FOR REFERENCE ONLY
PACKAGE SPECIFICATION IS JEDEC MS-026



- NOTES:
- MATERIAL AND FINISH:
SOCKET LID - POLYETHERIMIDE.
SOCKET BASE - POLYETHERIMIDE.
CONTACTS - BeCu, SELECTIVE Au-SnPb OVER Ni PLATING.
SPRINGS - STAINLESS STEEL, PASSIVATED.
 - MARKING: 2.0 HIGH, COLOR - WHITE.
 - REFER TO SK-0283 FOR CONTACT SEATING HEIGHTS.
 - REFER TO SK-0319 FOR NAIL/RIVET PRESS HEIGHTS.

LEGEND		THIS DOCUMENT CONTAINS PROPRIETARY INFORMATION THAT IS THE SOLE PROPERTY OF WELLS-CTI. THIS INFORMATION IS TO BE HELD BY ITS RECIPIENT ON A CONFIDENTIAL BASIS, AND IS NOT TO BE DISCLOSED TO OTHERS OR USED WITHOUT WRITTEN CONSENT OF WELLS-CTI.		MATERIAL/FINISH	DATE	WELLS-CTI A subsidiary of PCB Inc. Precision Airframe USA	
©	CRITICAL	CHECKED	4-12-00	REFERENCE	4-5-00	TGFP SOCKET ASSEMBLY (14mm, 64ld)	
D	NUMBER OF © USED	ENG. DESIGNED	SC	PROJECT/SERIES	200	PART NUMBER	7014-064-1-08
SIZE	PROJECTION	DATE	04/12/00	REV	E2	SCALE	2.0:1
B		WELDING		UNITS:	mm (in)	CAD NUMBER	
		TOOLING		DO NOT SCALE			SHEET 1