

### Features

- TO-220 housing
- Low inductance
- Resistor electrically isolated from the backplate
- High power rating
- RoHS compliant\*

### Applications

- Power supplies
- Motor drives
- Test and measurement
- Rectifiers

**BOURNS®**

## PWR220T-35 Series Power Resistor

### General Information

Bourns® PWR220T-35 Series is a TO-220 DPAK style power resistor. Manufactured using thick film on alumina ceramic technology, it is used in current measurement, snubber, bleeder and discharge circuits.

### Electrical & Thermal Characteristics

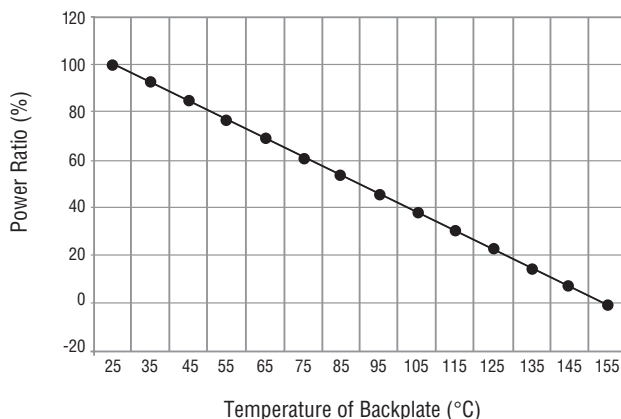
| Parameter                                 | Value(s)                     |
|---|------------------------------|
| Resistance (See table of standard values) | 0.02 Ω to 130 KΩ             |
| Power Rating @ 25 °C Case Temperature     | 35 W                         |
| Tolerance                                 | ±1 %**, ±5 %                 |
| TCR<br>0.02 Ω < R < 130.0K Ω              | ±100 PPM/°C                  |
| Thermal Resistance - R <sub>thj</sub>     | 3.7 °C/W                     |
| Inductance                                | 0.1 μH maximum               |
| Operating Voltage                         | √P·R with a maximum of 250 V |
| Dielectric Strength                       | 2 KV AC                      |
| Insulation Resistance                     | 10 GΩ                        |
| Operating Temperature                     | -55 °C to 155 °C             |

\*\* Available for most values. Check Standard Resistance Values table.

### Reliability Characteristics

| Parameter  | Specification |
|--|---------------|
| Short Term Overload (2x Pr for R < 2 Ω, 1.6 x Pr for R ≥ 2 Ω, V < 1.5 x Operating Voltage) | ΔR ±0.25 %    |
| Load Life (1000 hours at rated power)  | ΔR ±1.0 %     |
| Thermal Shock (-55 °C to 155 °C, 5 cycles)   | ΔR ±0.5 %     |
| Resistance to Soldering Heat (10 seconds at 270 °C)  | ΔR ±0.5 %     |
| Vibration (20 G 10-2000 Hz .06 " D.A.)   | ΔR ±0.25 %    |
| Terminal Strength (MIL-STD-202, Method 211 Test A1)  | ΔR ±0.2 %     |
| Shock (Saw Tooth: 100 g/6 ms)  | ΔR ±0.5 %     |
| Humidity (Steady State) 1000 hrs. 85 °C/85 % RH  | ΔR ±0.5 %     |
| High Temperature Exposure (100 hrs - 40 % Pr @ +125 °C)                                    | ΔR ±0.5 %     |

### Derating Curve



### Material Characteristics

Resistor ..... Thick film  
 Substrate ..... Alumina (AL203)  
 Housing ..... Epoxy  
 Pins ..... Tinned Copper (Sn/Cu)  
 Flammability ..... Conforms to UL-94V0

### Packaging

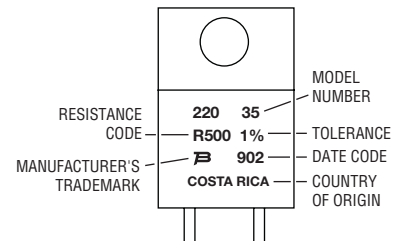
.....50 pcs./tube

### Standard Resistance Values

| Code | Resistance Value | Code | Resistance Value |
|------|------------------|------|------------------|
| R020 | 0.02***          | 20R0 | 20               |
| R050 | 0.05***          | 30R0 | 30               |
| R100 | 0.1              | 33R0 | 33               |
| R500 | 0.5              | 47R0 | 47               |
| R750 | 0.75             | 50R0 | 50               |
| 1R00 | 1                | 56R0 | 56               |
| 1R50 | 1.5              | 75R0 | 75               |
| 2R00 | 2                | 1000 | 100              |
| 2R20 | 2.2              | 2000 | 200              |
| 2R50 | 2.5              | 3300 | 330              |
| 3R00 | 3                | 4700 | 470              |
| 3R30 | 3.3              | 7500 | 7500             |
| 4R70 | 4.7              | 1001 | 1000             |
| 5R00 | 5                | 3301 | 3300             |
| 7R50 | 7.5              | 1002 | 10000            |
| 8R20 | 8.2              | 3002 | 33000            |
| 10R0 | 10               | 1003 | 100000           |
| 15R0 | 15               | 1303 | 130000           |

\*\*\* 5 % Tolerance

### Typical Part Marking

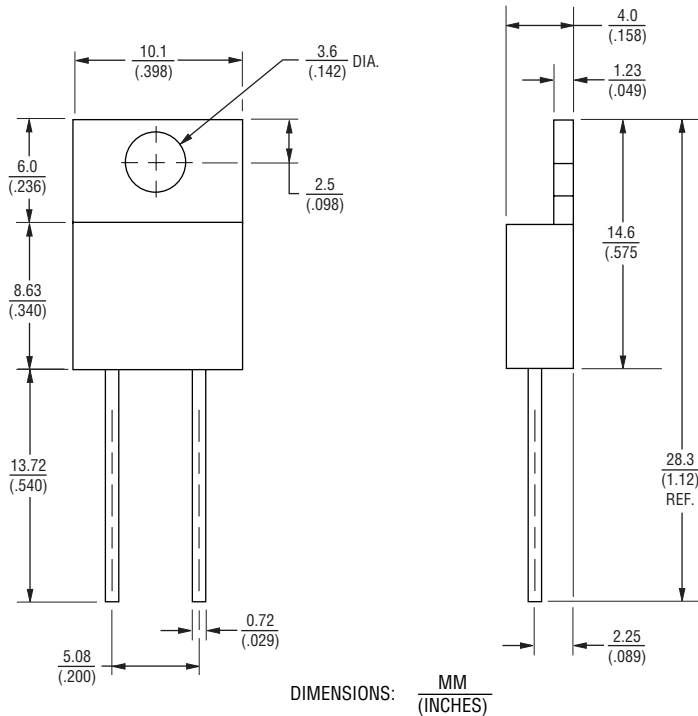


\*RoHS Directive 2002/95/EC Jan 27, 2003 including Annex. Specifications are subject to change without notice. Customers should verify actual device performance in their specific applications.

# PWR220T-35 Series Power Resistor

**BOURNS®**

## Product Dimensions



## How to Order

**PWR 220 T - 35 - 10R0 F**

Model \_\_\_\_\_  
 PWR = Power Resistor

Package \_\_\_\_\_  
 220 = TO-220 Style

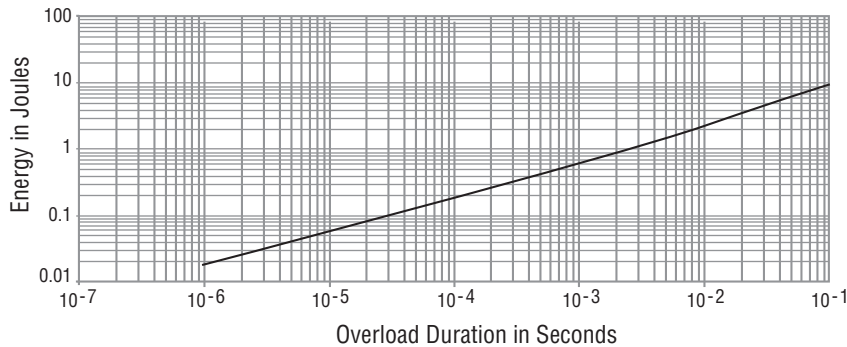
Pin Style \_\_\_\_\_  
 T = Through-hole

Power \_\_\_\_\_  
 35 = 35 W

Resistance Value \_\_\_\_\_  
 <100 ohms ... "R" represents decimal point (examples: 7R50 = 7.5 Ω; R500 = 0.5 Ω)  
 ≥100 ohms ... First three digits are significant, fourth digit represents number of zeros to follow (examples: 2000 = 200 ohms; 3002 = 30K ohms)

Absolute Tolerance \_\_\_\_\_  
 J = 5 %  
 F = 1 %

## Pulse Power Rating



The energy absorbed by the resistor expressed in Joules can be calculated by multiplying the peak power of the pulse in watts times the length of the pulse in seconds.

The energy should not exceed the limits shown in the graph. The overload voltage should not exceed 1.5 times the maximum operating voltage.

**BOURNS®**

### Asia-Pacific:

Tel: +886-2 2562-4117

Fax: +886-2 2562-4116

### Europe:

Tel: +41-41 768 5555

Fax: +41-41 768 5510

### The Americas:

Tel: +1-951 781-5500

Fax: +1-951 781-5700

[www.bourns.com](http://www.bourns.com)