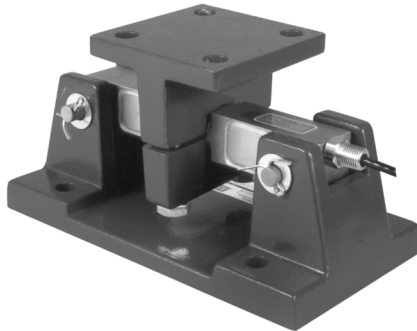


Load Cell Weigh Module



FEATURES

- Capacity range: 10K, 15K, 25K, 35K, 50K, and 75K lb (4.5K, 6.8K, 11.3K, 15.8K, 22.7K, and 34K kg)
- Self-checking design allows for thermal expansion
- Conduit adapter available (stainless steel modules)
- Ideally suited for applications with high deadload-to-liveload ratios
- Electroless nickel-plated load beam standard, welded stainless-steel load beam available
- Sealed to IP67 standards
- FM approved

DESCRIPTION

PRO-Mount Weigh Modules are specifically engineered to meet the requirements of inventory and ingredient management weighing applications. Checkless design (no stay or check rods), low profile, and uniform bolt spacing simplify installation on new and existing vessels. An integral expansion assembly and temperature compensated full bridge transducer design, minimize temperature effects allowing accurate measurement indoors or out, in virtually any environment.

Optional stainless steel, welded units are available for caustic or washdown

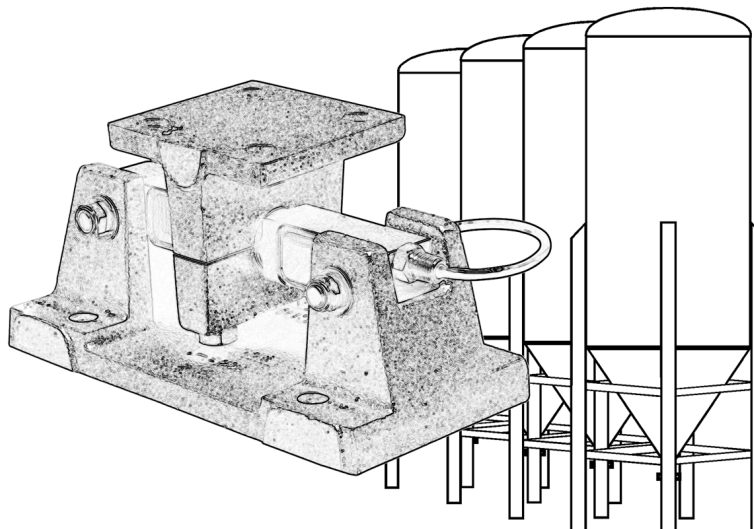
environments. Stainless steel units also have an integral conduit adapter.

PRO-Mount design considerations ensure an efficient balance between performance as a transducer and strength as a structural member when earthquake risk or wind resistance is a system factor. Sideloads of up to 100% full scale capacity, caused by vibration or other extraneous forces, virtually have no effect on weight measurement.

APPLICATIONS

- Storage tank, bin, and hopper weighing
- Silo and inventory measurement systems
- Loss-in-weight feeders

CONFIGURATION



SPECIFICATIONS

Performance

Capacities	10K, 15K, 25K, 35K, 50K, & 75K lb (4.5K, 6.8K, 11.3K, 15.8K, 22.7K, and 34K kg)
Rated Output (R.O.)	3.0 mV/V +/-0.25%
Repeatability	0.01% R.O.
Combined Error	0.03% R.O.
Zero Balance	1% R.O.
Creep (20 minutes)	0.03% R.O.
Temperature Effects:	
On Zero Balance	0.0015% R.O./°F
On Span	0.0008% Load/°F

Electrical

Recommended Excitation	10 Vdc (15 Vdc max.)
Input Resistance	686-714 ohms
Output Resistance	699-707 ohms
Cable Length	25 foot cable with 4 wire polyurethane jacket

Temperature

Safe Range	-0 to 150°F
Compensated Range	+14 to 104°F

Adverse Load Ratings

Safe Load	150% Rated Capacity
Safe Sideload	100% Rated Capacity
Ultimate Load	300% Rated Capacity

Material

Beam (standard)	tool steel, electroless nickel plated
Beam (option)	17-4 PH stainless steel
Mounting Hardware (std)	cast steel, zinc plated
Mounting Hardware (opt)	stainless steel

Sealing

Environmental Class	IP67 plated
---------------------	----------------

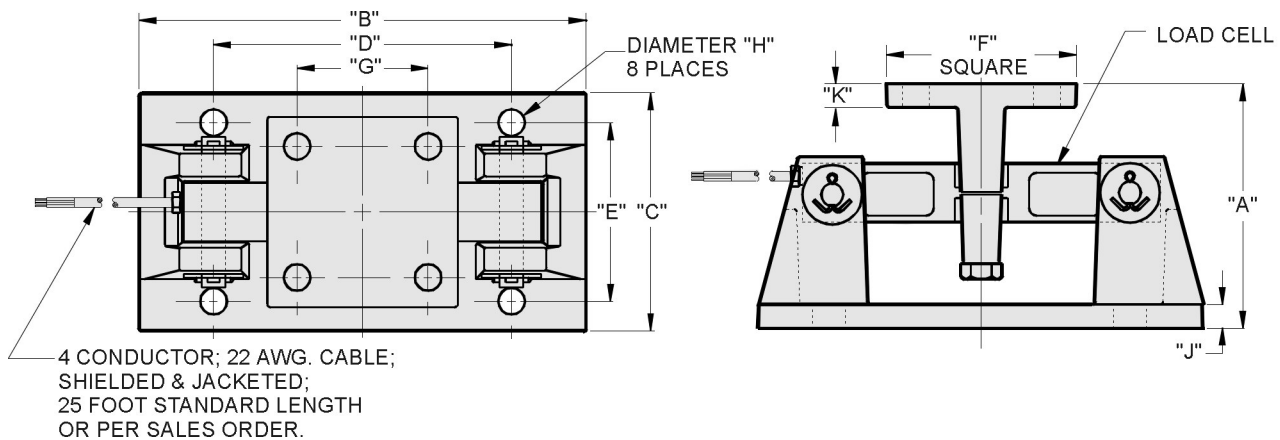
Deflection Under Load Unit Weight

10K - 25K lb	0.022 inches
35K lb	0.038 inches
50K lb	0.052 inches
75K lb	0.070 inches

Approvals

FM	Class I, II, III; Divisions 1 and 2, Groups A-G
----	--

OUTLINE DIMENSIONS in inches



CAPACITY	A	B	C	D	E	F	G	H	J	K	Weight
10 - 35K	7.90	12.0	8.0	7.50	6.00	8.00	6.00	0.78	0.75	0.75	73.0
50 - 75K	9.30	16.25	12.00	11.50	9.50	9.00	6.50	0.78	1.00	1.00	172.0

BLH is continually seeking to improve product quality and performance. Specifications may change accordingly.

Disclaimer

ALL PRODUCTS, PRODUCT SPECIFICATIONS AND DATA ARE SUBJECT TO CHANGE WITHOUT NOTICE.

Vishay Precision Group, Inc., its affiliates, agents, and employees, and all persons acting on its or their behalf (collectively, "Vishay Precision Group"), disclaim any and all liability for any errors, inaccuracies or incompleteness contained herein or in any other disclosure relating to any product.

The product specifications do not expand or otherwise modify Vishay Precision Group's terms and conditions of purchase, including but not limited to, the warranty expressed therein.

Vishay Precision Group makes no warranty, representation or guarantee other than as set forth in the terms and conditions of purchase. **To the maximum extent permitted by applicable law, Vishay Precision Group disclaims (i) any and all liability arising out of the application or use of any product, (ii) any and all liability, including without limitation special, consequential or incidental damages, and (iii) any and all implied warranties, including warranties of fitness for particular purpose, non-infringement and merchantability.**

Information provided in datasheets and/or specifications may vary from actual results in different applications and performance may vary over time. Statements regarding the suitability of products for certain types of applications are based on Vishay Precision Group's knowledge of typical requirements that are often placed on Vishay Precision Group products. It is the customer's responsibility to validate that a particular product with the properties described in the product specification is suitable for use in a particular application.

No license, express, implied, or otherwise, to any intellectual property rights is granted by this document, or by any conduct of Vishay Precision Group.

The products shown herein are not designed for use in life-saving or life-sustaining applications unless otherwise expressly indicated. Customers using or selling Vishay Precision Group products not expressly indicated for use in such applications do so entirely at their own risk and agree to fully indemnify Vishay Precision Group for any damages arising or resulting from such use or sale. Please contact authorized Vishay Precision Group personnel to obtain written terms and conditions regarding products designed for such applications.

Product names and markings noted herein may be trademarks of their respective owners.