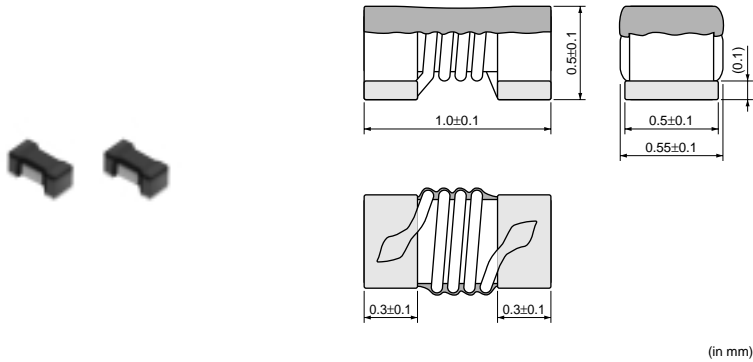


LQW15C Series (0402 Size)



For RF Choke

■ Dimensions



■ Packaging

Code	Packaging	Minimum Quantity
D	180mm Paper Tape	10000
B	Bulk (Bag)	500

Refer to pages from p.80 to p.83 for mounting information.

■ Rated Value (□: packaging code)

Part Number	Inductance	Test Frequency	Rated Current	Max. of DC Resistance	Self Resonance Frequency (min.)	
LQW15CN18NJ00□	18nH±5%	100MHz	1400mA	0.046ohm	3000MHz	New Kit
LQW15CN33NJ00□	33nH±5%	100MHz	1300mA	0.065ohm	1800MHz	New Kit
LQW15CN48NJ00□	48nH±5%	100MHz	1100mA	0.078ohm	1400MHz	New Kit
LQW15CN70NJ00□	70nH±5%	100MHz	820mA	0.12ohm	1300MHz	New Kit
LQW15CN96NJ00□	96nH±5%	100MHz	730mA	0.16ohm	1100MHz	New Kit
LQW15CNR13J00□	130nH±5%	100MHz	640mA	0.23ohm	1000MHz	New Kit
LQW15CNR16J00□	160nH±5%	100MHz	480mA	0.33ohm	900MHz	New Kit
LQW15CNR20J00□	200nH±5%	100MHz	390mA	0.47ohm	800MHz	New Kit

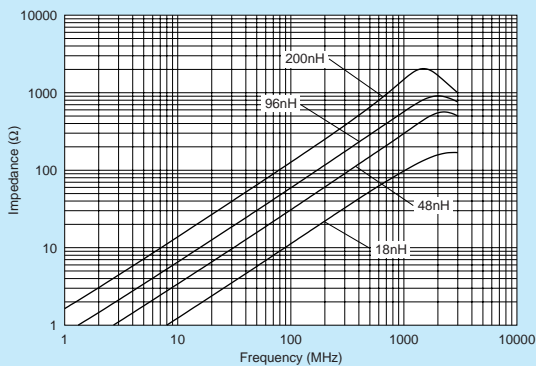
Class of Magnetic Shield: No magnetic shield

Operating Temperature Range:

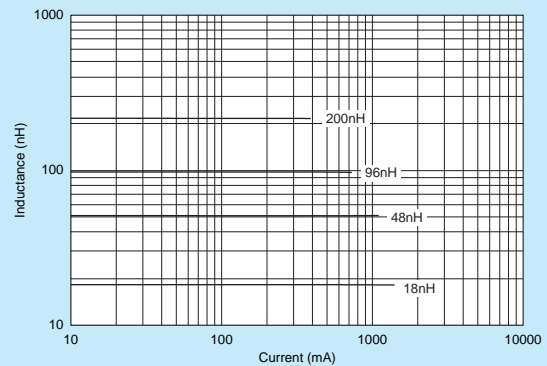
-55°C to +125°C (Ambient temperature: self-temperature rise is not included), -55°C to +135°C (Product temperature: self-temperature rise is included)

Only for reflow soldering.

■ Impedance-Frequency Characteristics (Typ.)



■ Inductance-Current Characteristics (Typ.)

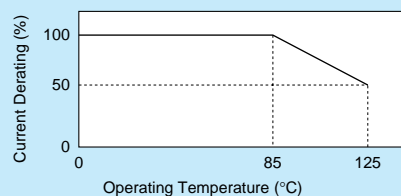


■ Notice (Rating)

In operating temperature exceeding +85°C, derating of current is necessary for LQW15C Series.

Please apply the derating curve shown in chart according to the operating temperature.

Derating



△Note • Please read rating and △CAUTION (for storage, operating, rating, soldering, mounting and handling) in this catalog to prevent smoking and/or burning, etc.
• This catalog has only typical specifications because there is no space for detailed specifications. Therefore, please review our product specifications or consult the approval sheet for product specifications before ordering.