

LQM32P_G0 Series (1210 Size)

LQM32P_G0

Thickness
1.0mm
max.

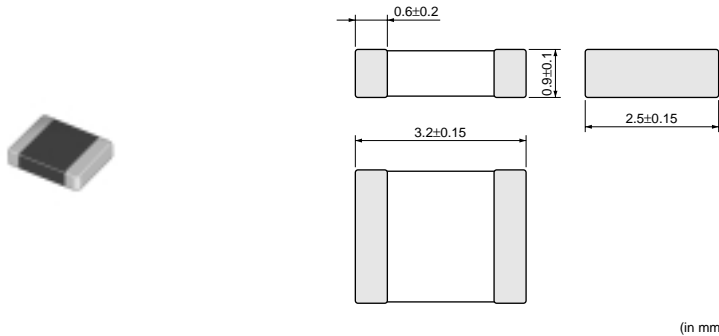
Ferrite
Core
Shield

Reflow
OK

New

1210 Size, 1.0mm max. Thickness

■ Dimensions



■ Packaging

Code	Packaging	Minimum Quantity
L	180mm Embossed Tape	3000
B	Bulk(Bag)	1000

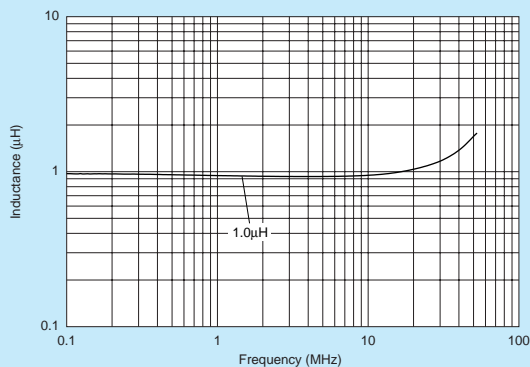
Refer to pages from p.80 to p.83 for mounting information.

■ Rated Value (□: packaging code)

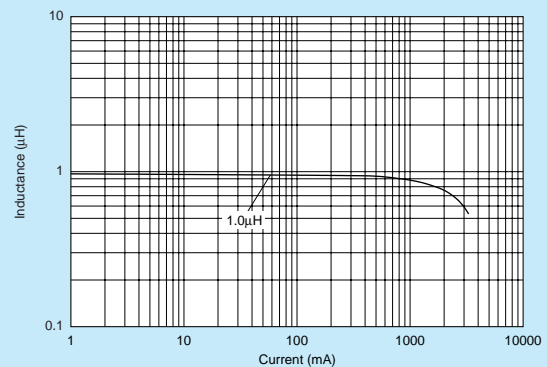
Part Number	Inductance	Rated Current	DC Resistance	Self Resonance Frequency (min.)	
LQM32PN1R0MG0□	1.0μH±20%	1800mA	0.048ohm ±25%	40MHz	New Kit

Test Frequency: 1MHz Class of Magnetic Shield: Magnetic shield of ferrite Operating Temperature Range: -40°C to +85°C
Only for reflow soldering.

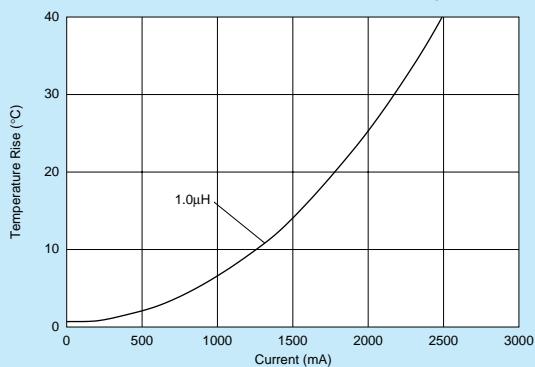
■ Inductance-Frequency Characteristics (Typ.)



■ Inductance-Current Characteristics (Typ.)



■ Temperature Rise Characteristics (Typ.)



△Note • Please read rating and △CAUTION (for storage, operating, rating, soldering, mounting and handling) in this catalog to prevent smoking and/or burning, etc.
• This catalog has only typical specifications because there is no space for detailed specifications. Therefore, please review our product specifications or consult the approval sheet for product specifications before ordering.