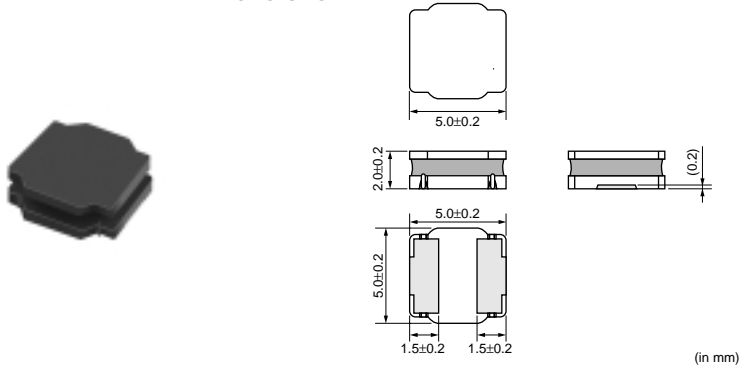


# LQH5BP\_T0 Series (2020 Size)



2020 Size, 2.2mm max. Thickness

■ Dimensions



■ Packaging

Code	Packaging	Minimum Quantity
L	180mm Embossed Tape	500
K	330mm Embossed Tape	3000

Refer to pages from p.80 to p.83 for mounting information.

■ Rated Value (□: packaging code)

Part Number	Inductance	Rated Current <sup>*1</sup> (Based on Inductance Change)	Rated Current <sup>*2</sup> (Based on Temperature Rise)	DC Resistance	Self Resonance Frequency (min.)	
LQH5BPNR47NT0□	0.47μH±30%	7.7A	4.0A	0.012ohm ±20%	220MHz	New Kit
LQH5BPN1R0NT0□	1.0μH±30%	5.8A	3.1A	0.019ohm ±20%	90MHz	New Kit
LQH5BPN1R2NT0□	1.2μH±30%	5.4A	3.1A	0.019ohm ±20%	90MHz	New Kit
LQH5BPN1R5NT0□	1.5μH±30%	5.0A	3.0A	0.024ohm ±20%	70MHz	New Kit
LQH5BPN2R2NT0□	2.2μH±30%	4.0A	2.6A	0.030ohm ±20%	55MHz	New Kit
LQH5BPN2R7NT0□	2.7μH±30%	3.8A	2.5A	0.035ohm ±20%	50MHz	New Kit
LQH5BPN3R3NT0□	3.3μH±30%	3.5A	2.3A	0.044ohm ±20%	40MHz	New Kit
LQH5BPN4R7NT0□	4.7μH±30%	3.0A	2.0A	0.058ohm ±20%	40MHz	New Kit
LQH5BPN6R8NT0□	6.8μH±30%	2.5A	1.65A	0.083ohm ±20%	30MHz	New Kit
LQH5BPN100MT0□	10μH±20%	2.0A	1.60A	0.106ohm ±20%	25MHz	New Kit
LQH5BPN150MT0□	15μH±20%	1.6A	1.20A	0.187ohm ±20%	18MHz	New Kit
LQH5BPN220MT0□	22μH±20%	1.4A	1.05A	0.259ohm ±20%	15MHz	New Kit

Test Frequency: 100kHz Class of Magnetic Shield: Magnetic shield of magnetic powder in resin

Operating Temperature Range (Self-temperature rise is included): -40°C to +125°C

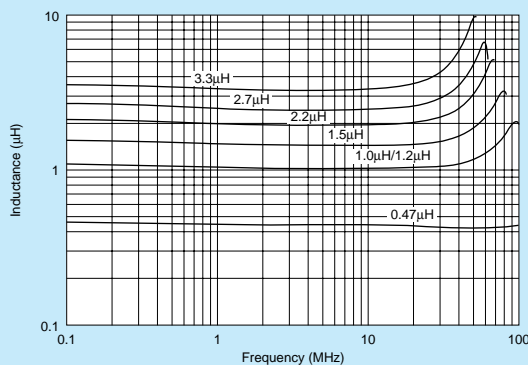
Operating Temperature Range (Self-temperature rise is not included): -40°C to +85°C

Only for reflow soldering.

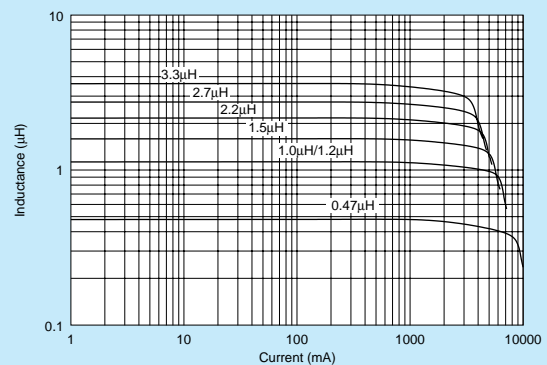
\*1 When Rated Current is applied to the Products, Inductance will be within ±30% of nominal Inductance value.

\*2 When Rated Current is applied to the Products, self-generation of heat will rise to 40°C or less.

■ Inductance-Frequency Characteristics (Typ.)



■ Inductance-Current Characteristics (Typ.)



Continued on the following page.

△Note • Please read rating and △CAUTION (for storage, operating, rating, soldering, mounting and handling) in this catalog to prevent smoking and/or burning, etc.

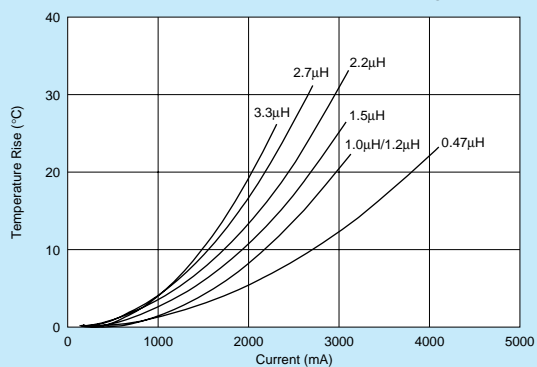
• This catalog has only typical specifications because there is no space for detailed specifications. Therefore, please review our product specifications or consult the approval sheet for product specifications before ordering.

Inductor for Power Lines (Power Inductor)  
Wire Wound Magnetic Type for Voltage Conversion

Inductor for Low Frequency Circuits

RF Inductor

### Temperature Rise Characteristics (Typ.)



△Note • Please read rating and △CAUTION (for storage, operating, rating, soldering, mounting and handling) in this catalog to prevent smoking and/or burning, etc.  
• This catalog has only typical specifications because there is no space for detailed specifications. Therefore, please review our product specifications or consult the approval sheet for product specifications before ordering.