

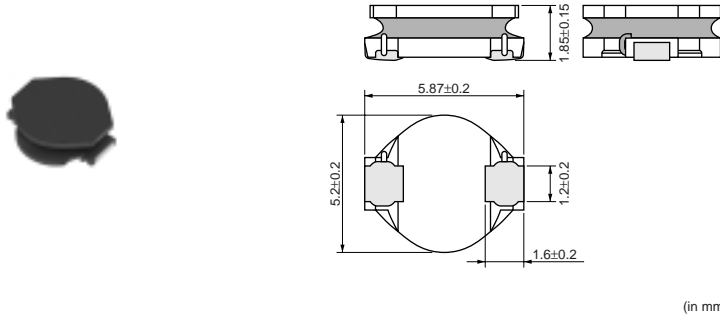
LQH55P_R0 Series (2220 Size)

LQH55P_R0



2220 Size, 2.0mm max. Thickness

■ Dimensions



■ Packaging

Code	Packaging	Minimum Quantity
L	180mm Embossed Tape	500
K	330mm Embossed Tape	3000

Refer to pages from p.80 to p.83 for mounting information.

■ Rated Value (□: packaging code)

Part Number	Inductance	Rated Current ^{*1} (Based on Inductance Change)	Rated Current ^{*2} (Based on Temperature Rise)	DC Resistance	Self Resonance Frequency (min.)
LQH55PN1R2NR0□	1.2μH±30%	2600mA	2900mA	0.021ohm ±20%	80MHz
LQH55PN2R2NR0□	2.2μH±30%	2100mA	2500mA	0.031ohm ±20%	60MHz
LQH55PN2R7NR0□	2.7μH±30%	2070mA	2150mA	0.040ohm ±20%	50MHz
LQH55PN3R3NR0□	3.3μH±30%	2000mA	2000mA	0.044ohm ±20%	35MHz
LQH55PN4R7NR0□	4.7μH±30%	1400mA	1750mA	0.060ohm ±20%	30MHz
LQH55PN6R8NR0□	6.8μH±30%	1200mA	1450mA	0.087ohm ±20%	25MHz
LQH55PN100MR0□	10μH±20%	1000mA	1250mA	0.11ohm ±20%	20MHz
LQH55PN220MR0□	22μH±20%	670mA	850mA	0.26ohm ±20%	10MHz

Test Frequency: 100kHz Class of Magnetic Shield: Magnetic shield of magnetic powder in resin

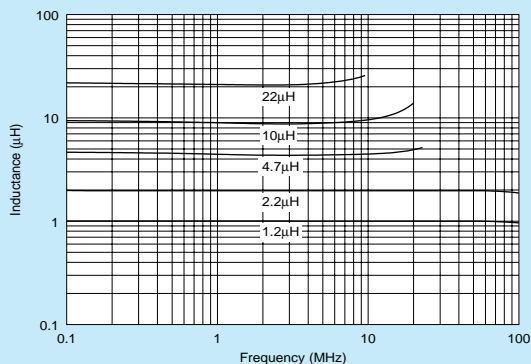
Operating Temperature Range (Self-temperature rise is not included): -40°C to +85°C

Only for reflow soldering.

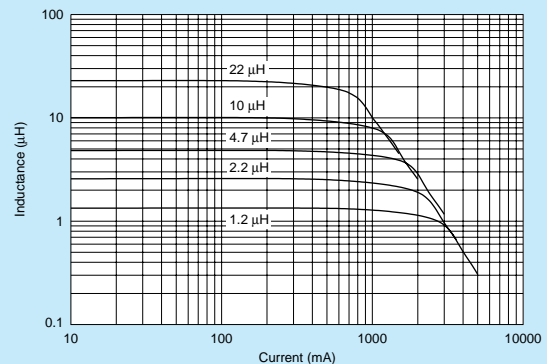
*1 When Rated Current is applied to the Products, Inductance will be within ±30% of nominal Inductance value.

*2 When Rated Current is applied to the Products, self-generation of heat will rise to 40°C or less.

■ Inductance-Frequency Characteristics (Typ.)



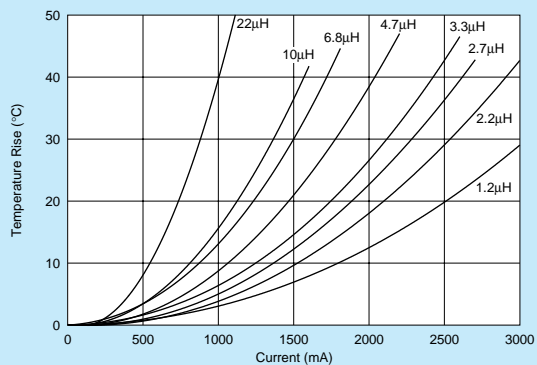
■ Inductance-Current Characteristics (Typ.)



Continued on the following page.

△Note • Please read rating and △CAUTION (for storage, operating, rating, soldering, mounting and handling) in this catalog to prevent smoking and/or burning, etc.
• This catalog has only typical specifications because there is no space for detailed specifications. Therefore, please review our product specifications or consult the approval sheet for product specifications before ordering.

■ Temperature Rise Characteristics (Typ.)



△Note • Please read rating and △CAUTION (for storage, operating, rating, soldering, mounting and handling) in this catalog to prevent smoking and/or burning, etc.
 • This catalog has only typical specifications because there is no space for detailed specifications. Therefore, please review our product specifications or consult the approval sheet for product specifications before ordering.