

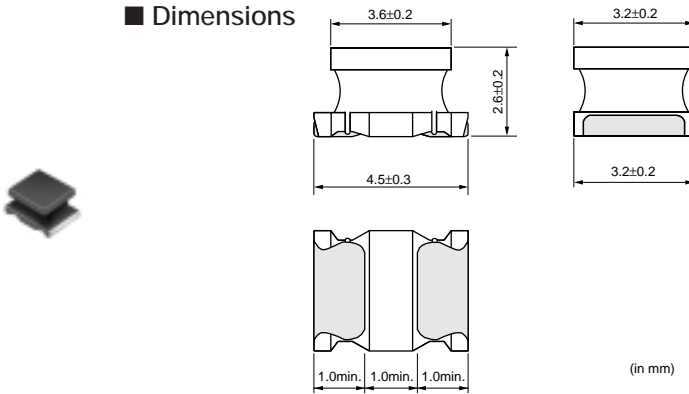
LQH43P_26 Series (1812 Size)

LQH43P_26



1812 Size, 2.8mm max. Thickness

■ Dimensions



■ Packaging

Code	Packaging	Minimum Quantity
L	180mm Embossed Tape	500
K	330mm Embossed Tape	2500

Refer to pages from p.80 to p.83 for mounting information.

■ Rated Value (□: packaging code)

Part Number	Inductance	Rated Current ^{*1} (Based on Inductance Change)	Rated Current ^{*2} (Based on Temperature Rise)	DC Resistance	Self Resonance Frequency (min.)	
LQH43PN1R0N26□	1.0μH±30%	3400mA	3300mA	0.026ohm ±20%	100MHz	New Kit
LQH43PN2R2M26□	2.2μH±20%	2300mA	2500mA	0.042ohm ±20%	45MHz	New Kit
LQH43PN3R3M26□	3.3μH±20%	1800mA	2100mA	0.052ohm ±20%	40MHz	New Kit
LQH43PN4R7M26□	4.7μH±20%	1400mA	1600mA	0.075ohm ±20%	35MHz	New Kit
LQH43PN6R8M26□	6.8μH±20%	1200mA	1400mA	0.098ohm ±20%	30MHz	New Kit
LQH43PN8R2M26□	8.2μH±20%	1100mA	1300mA	0.128ohm ±20%	25MHz	New Kit
LQH43PN100M26□	10μH±20%	1050mA	1170mA	0.147ohm ±20%	20MHz	New Kit
LQH43PN220M26□	22μH±20%	700mA	780mA	0.327ohm ±20%	15MHz	New Kit
LQH43PN470M26□	47μH±20%	470mA	520mA	0.718ohm ±20%	8MHz	New Kit
LQH43PN101M26□	100μH±20%	320mA	320mA	1.538ohm ±20%	4MHz	New Kit
LQH43PN151M26□	150μH±20%	280mA	260mA	2.362ohm ±20%	3MHz	New Kit
LQH43PN221M26□	220μH±20%	220mA	240mA	2.900ohm ±20%	2MHz	New Kit

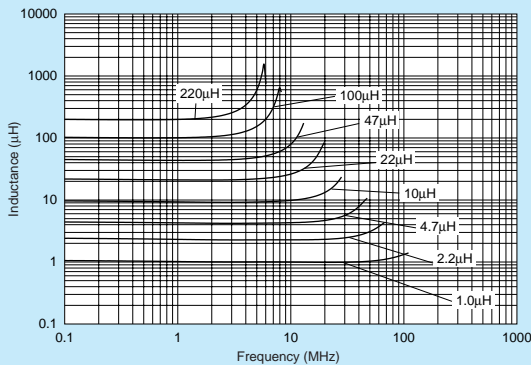
Test Frequency: 1MHz Class of Magnetic Shield: Magnetic shield of magnetic powder in resin

Operating Temperature Range (Self-temperature rise is not included): -40°C to +85°C

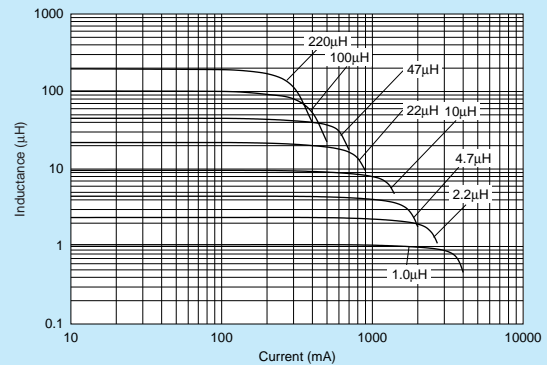
*1 When Rated Current is applied to the Products, Inductance will be within ±30% of nominal Inductance value.

*2 When Rated Current is applied to the Products, self-generation of heat will rise to 40°C or less.

■ Inductance-Frequency Characteristics (Typ.)



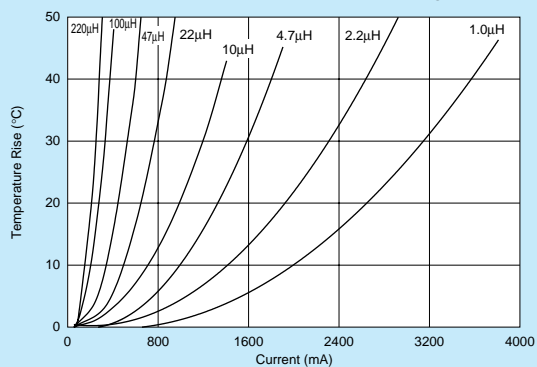
■ Inductance-Current Characteristics (Typ.)



Continued on the following page.

△Note • Please read rating and △CAUTION (for storage, operating, rating, soldering, mounting and handling) in this catalog to prevent smoking and/or burning, etc.
• This catalog has only typical specifications because there is no space for detailed specifications. Therefore, please review our product specifications or consult the approval sheet for product specifications before ordering.

■ Temperature Rise Characteristics (Typ.)



Wire Wound Magnetic Type for Voltage Conversion Inductor for Power Lines (Power Inductor)

Inductor for Low Frequency Circuits

RF Inductor

△Note • Please read rating and △CAUTION (for storage, operating, rating, soldering, mounting and handling) in this catalog to prevent smoking and/or burning, etc.
 • This catalog has only typical specifications because there is no space for detailed specifications. Therefore, please review our product specifications or consult the approval sheet for product specifications before ordering.