

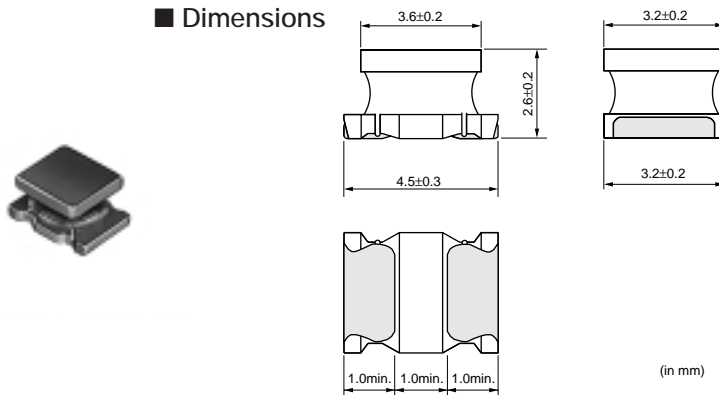
LQH43C-03 Series (1812 Size)

LQH43C_03



1812 Size

■ Dimensions



■ Packaging

Code	Packaging	Minimum Quantity
L	180mm Embossed Tape	500

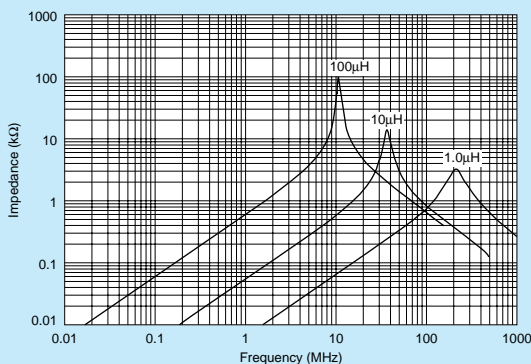
Refer to pages from p.80 to p.83 for mounting information.

■ Rated Value (□: packaging code)

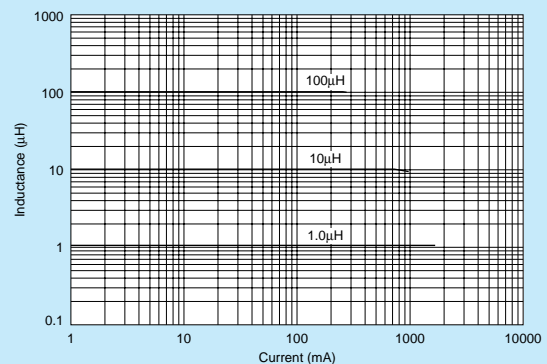
Part Number	Inductance	Test Frequency	Rated Current	Max. of DC Resistance	Self Resonance Frequency (min.)	
LQH43CN1R0M03□	1.0μH±20%	1MHz	1080mA	0.08ohm	100MHz	Kit
LQH43CN1R5M03□	1.5μH±20%	1MHz	1000mA	0.09ohm	85MHz	Kit
LQH43CN2R2M03□	2.2μH±20%	1MHz	900mA	0.11ohm	60MHz	Kit
LQH43CN3R3M03□	3.3μH±20%	1MHz	800mA	0.13ohm	47MHz	Kit
LQH43CN4R7M03□	4.7μH±20%	1MHz	750mA	0.15ohm	35MHz	Kit
LQH43CN6R8M03□	6.8μH±20%	1MHz	720mA	0.20ohm	30MHz	Kit
LQH43CN100K03□	10μH±10%	1MHz	650mA	0.24ohm	23MHz	Kit
LQH43CN150K03□	15μH±10%	1MHz	570mA	0.32ohm	20MHz	Kit
LQH43CN220K03□	22μH±10%	1MHz	420mA	0.6ohm	15MHz	Kit
LQH43CN330K03□	33μH±10%	1MHz	310mA	1.0ohm	12MHz	Kit
LQH43CN470K03□	47μH±10%	1MHz	280mA	1.1ohm	10MHz	Kit
LQH43CN680K03□	68μH±10%	1MHz	220mA	1.7ohm	8.4MHz	Kit
LQH43CN101K03□	100μH±10%	1MHz	190mA	2.2ohm	6.8MHz	Kit
LQH43CN151K03□	150μH±10%	1MHz	130mA	3.5ohm	5.5MHz	Kit
LQH43CN221K03□	220μH±10%	1MHz	110mA	4.0ohm	4.5MHz	Kit
LQH43CN331K03□	330μH±10%	1MHz	100mA	6.8ohm	3.6MHz	Kit
LQH43CN471K03□	470μH±10%	1kHz	90mA	8.5ohm	3.0MHz	Kit

Class of Magnetic Shield: No magnetic shield
 Operating Temperature Range (Ambient temperature: self-temperature rise is not included): -40°C to +85°C

■ Impedance-Frequency Characteristics (Typ.)



■ Inductance-Current Characteristics (Typ.)



△Note • Please read rating and △CAUTION (for storage, operating, rating, soldering, mounting and handling) in this catalog to prevent smoking and/or burning, etc.
 • This catalog has only typical specifications because there is no space for detailed specifications. Therefore, please review our product specifications or consult the approval sheet for product specifications before ordering.

Inductor for Power Lines (Power Inductor)
 Wire Wound Magnetic Type for Voltage Conversion

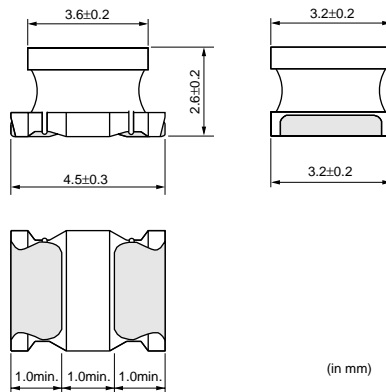
Inductor for Low Frequency Circuits

RF Inductor



Low DC Resistance Type

■ Dimensions



■ Packaging

Code	Packaging	Minimum Quantity
L	180mm Embossed Tape	500

Refer to pages from p.80 to p.83 for mounting information.

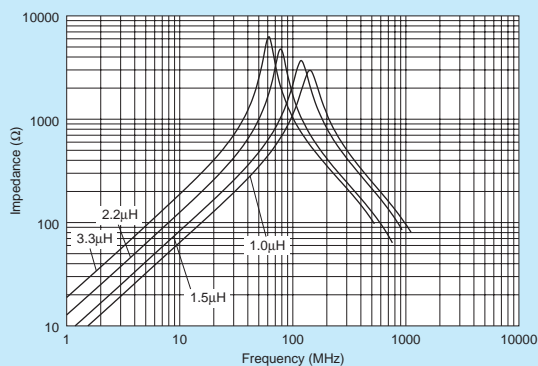
■ Rated Value (□: packaging code)

Part Number	Inductance	Test Frequency	Rated Current	DC Resistance	Self Resonance Frequency (min.)	
LQH43CNR56M33□	0.56μH±20%	1MHz	2950mA	0.023ohm±30%	160MHz	New Kit
LQH43CNR82M33□	0.82μH±20%	1MHz	2800mA	0.027ohm±30%	130MHz	New Kit
LQH43CN1R0M33□	1.0μH±20%	1MHz	2600mA	0.032ohm±30%	110MHz	New Kit
LQH43CN1R5M33□	1.5μH±20%	1MHz	2450mA	0.036ohm±30%	80MHz	New Kit
LQH43CN1R8M33□	1.8μH±20%	1MHz	2300mA	0.042ohm±30%	70MHz	New Kit
LQH43CN2R2M33□	2.2μH±20%	1MHz	2100mA	0.047ohm±30%	60MHz	New Kit
LQH43CN2R7M33□	2.7μH±20%	1MHz	1800mA	0.053ohm±30%	50MHz	New Kit
LQH43CN3R3M33□	3.3μH±20%	1MHz	1650mA	0.076ohm±30%	47MHz	New Kit
LQH43CN3R9M33□	3.9μH±20%	1MHz	1600mA	0.082ohm±30%	40MHz	New Kit

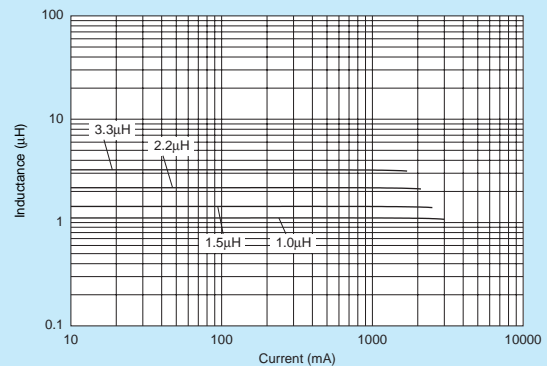
Class of Magnetic Shield: No magnetic shield

Operating Temperature Range (Ambient temperature: self-temperature rise is not included): -40°C to +85°C

■ Impedance-Frequency Characteristics (Typ.)



■ Inductance-Current Characteristics (Typ.)



△Note • Please read rating and △CAUTION (for storage, operating, rating, soldering, mounting and handling) in this catalog to prevent smoking and/or burning, etc.
 • This catalog has only typical specifications because there is no space for detailed specifications. Therefore, please review our product specifications or consult the approval sheet for product specifications before ordering.