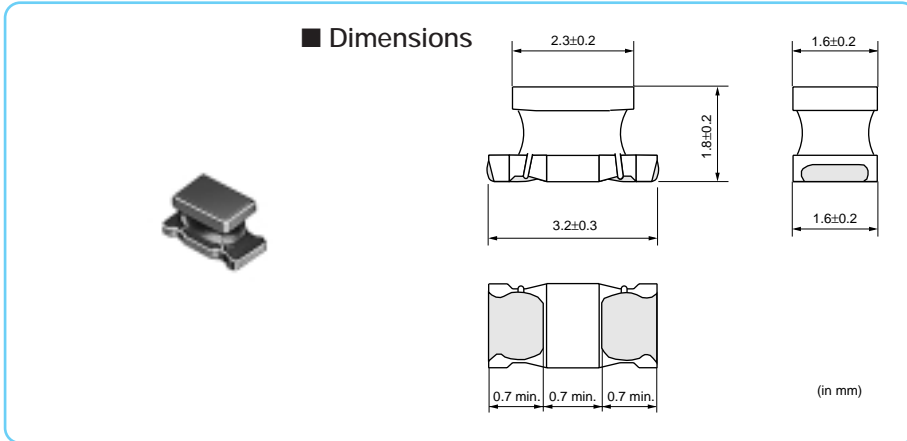


# LQH31M Series (1206 Size)



## 1206 Size, Wound Type



■ Packaging

| Code | Packaging           | Minimum Quantity |
|------|---------------------|------------------|
| L    | 180mm Embossed Tape | 2000             |
| K    | 330mm Embossed Tape | 7500             |

Refer to pages from p.107 to p.110 for mounting information.

■ Rated Value (□: packaging code)

| Part Number    | Inductance | Test Frequency | Rated Current | DC Resistance | Q (min.) | Test Frequency | Self Resonance Frequency (min.) |
|----------------|------------|----------------|---------------|---------------|----------|----------------|---------------------------------|
| LQH31MNR15K03□ | 0.15μH±10% | 1MHz           | 250mA         | 0.39ohm±40%   | 20       | 25MHz          | 250MHz                          |
| LQH31MNR22K03□ | 0.22μH±10% | 1MHz           | 240mA         | 0.43ohm±40%   | 20       | 25MHz          | 250MHz                          |
| LQH31MNR33K03□ | 0.33μH±10% | 1MHz           | 230mA         | 0.45ohm±40%   | 30       | 25MHz          | 250MHz                          |
| LQH31MNR47K03□ | 0.47μH±10% | 1MHz           | 215mA         | 0.83ohm±40%   | 30       | 25MHz          | 200MHz                          |
| LQH31MNR56K03□ | 0.56μH±10% | 1MHz           | 200mA         | 0.61ohm±40%   | 30       | 25MHz          | 180MHz                          |
| LQH31MNR68K03□ | 0.68μH±10% | 1MHz           | 190mA         | 0.67ohm±40%   | 30       | 25MHz          | 160MHz                          |
| LQH31MNR82K03□ | 0.82μH±10% | 1MHz           | 185mA         | 0.73ohm±40%   | 30       | 25MHz          | 120MHz                          |
| LQH31MN1R0K03□ | 1.0μH±10%  | 1MHz           | 175mA         | 0.49ohm±30%   | 35       | 10MHz          | 100MHz                          |
| LQH31MN1R2J03□ | 1.2μH±5%   | 1MHz           | 165mA         | 0.37ohm±30%   | 35       | 10MHz          | 90MHz                           |
| LQH31MN1R2K03□ | 1.2μH±10%  | 1MHz           | 165mA         | 0.9ohm±30%    | 35       | 10MHz          | 90MHz                           |
| LQH31MN1R5J03□ | 1.5μH±5%   | 1MHz           | 155mA         | 1.0ohm±30%    | 35       | 10MHz          | 75MHz                           |
| LQH31MN1R5K03□ | 1.5μH±10%  | 1MHz           | 155mA         | 1.0ohm±30%    | 35       | 10MHz          | 75MHz                           |
| LQH31MN1R8J03□ | 1.8μH±5%   | 1MHz           | 150mA         | 1.6ohm±30%    | 35       | 10MHz          | 60MHz                           |
| LQH31MN1R8K03□ | 1.8μH±10%  | 1MHz           | 150mA         | 1.6ohm±30%    | 35       | 10MHz          | 60MHz                           |
| LQH31MN2R2J03□ | 2.2μH±5%   | 1MHz           | 140mA         | 0.7ohm±30%    | 35       | 10MHz          | 50MHz                           |
| LQH31MN2R2K03□ | 2.2μH±10%  | 1MHz           | 140mA         | 0.7ohm±30%    | 35       | 10MHz          | 50MHz                           |
| LQH31MN2R7J03□ | 2.7μH±5%   | 1MHz           | 135mA         | 0.55ohm±30%   | 35       | 10MHz          | 43MHz                           |
| LQH31MN2R7K03□ | 2.7μH±10%  | 1MHz           | 135mA         | 0.55ohm±30%   | 35       | 10MHz          | 43MHz                           |
| LQH31MN3R3J03□ | 3.3μH±5%   | 1MHz           | 130mA         | 0.61ohm±30%   | 35       | 8MHz           | 38MHz                           |
| LQH31MN3R3K03□ | 3.3μH±10%  | 1MHz           | 130mA         | 0.61ohm±30%   | 35       | 8MHz           | 38MHz                           |
| LQH31MN3R9J03□ | 3.9μH±5%   | 1MHz           | 125mA         | 1.5ohm±30%    | 35       | 8MHz           | 35MHz                           |
| LQH31MN3R9K03□ | 3.9μH±10%  | 1MHz           | 125mA         | 1.5ohm±30%    | 35       | 8MHz           | 35MHz                           |
| LQH31MN4R7J03□ | 4.7μH±5%   | 1MHz           | 120mA         | 1.7ohm±30%    | 35       | 8MHz           | 31MHz                           |
| LQH31MN4R7K03□ | 4.7μH±10%  | 1MHz           | 120mA         | 1.7ohm±30%    | 35       | 8MHz           | 31MHz                           |
| LQH31MN5R6J03□ | 5.6μH±5%   | 1MHz           | 115mA         | 1.8ohm±30%    | 35       | 8MHz           | 28MHz                           |
| LQH31MN5R6K03□ | 5.6μH±10%  | 1MHz           | 115mA         | 1.8ohm±30%    | 35       | 8MHz           | 28MHz                           |
| LQH31MN6R8J03□ | 6.8μH±5%   | 1MHz           | 110mA         | 2.0ohm±30%    | 35       | 8MHz           | 25MHz                           |
| LQH31MN6R8K03□ | 6.8μH±10%  | 1MHz           | 110mA         | 2.0ohm±30%    | 35       | 8MHz           | 25MHz                           |
| LQH31MN8R2J03□ | 8.2μH±5%   | 1MHz           | 105mA         | 2.2ohm±30%    | 35       | 8MHz           | 23MHz                           |
| LQH31MN8R2K03□ | 8.2μH±10%  | 1MHz           | 105mA         | 2.2ohm±30%    | 35       | 8MHz           | 23MHz                           |

Class of Magnetic Shield: No magnetic shield    Operating Temperature Range: -40°C to +85°C

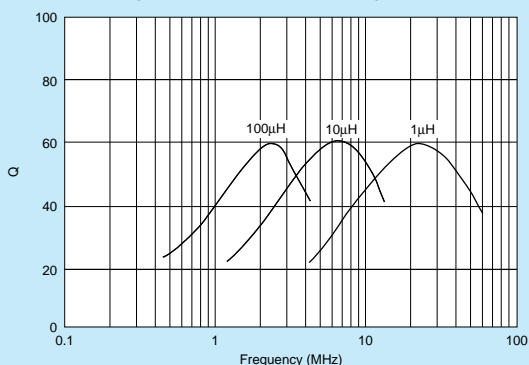
Continued on the following page. ↗

△Note • Please read rating and △CAUTION (for storage, operating, rating, soldering, mounting and handling) in this catalog to prevent smoking and/or burning, etc.  
 • This catalog has only typical specifications because there is no space for detailed specifications. Therefore, please review our product specifications or consult the approval sheet for product specifications before ordering.

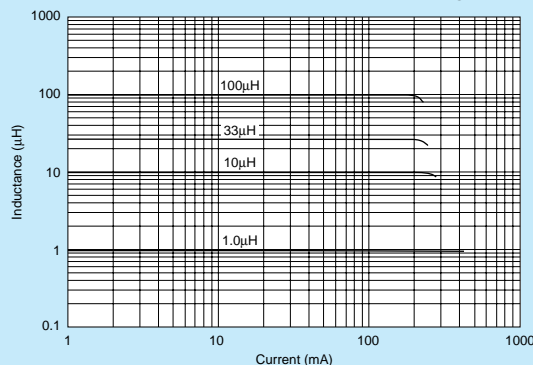
| Part Number    | Inductance | Test Frequency | Rated Current | DC Resistance | Q (min.) | Test Frequency | Self Resonance Frequency (min.) |
|----------------|------------|----------------|---------------|---------------|----------|----------------|---------------------------------|
| LQH31MN100J03□ | 10μH±5%    | 1MHz           | 100mA         | 2.5ohm±30%    | 35       | 5MHz           | 20MHz                           |
| LQH31MN100K03□ | 10μH±10%   | 1MHz           | 100mA         | 2.5ohm±30%    | 35       | 5MHz           | 20MHz                           |
| LQH31MN120J03□ | 12μH±5%    | 1MHz           | 95mA          | 2.7ohm±30%    | 35       | 5MHz           | 18MHz                           |
| LQH31MN120K03□ | 12μH±10%   | 1MHz           | 95mA          | 2.7ohm±30%    | 35       | 5MHz           | 18MHz                           |
| LQH31MN150J03□ | 15μH±5%    | 1MHz           | 90mA          | 3.0ohm±30%    | 35       | 5MHz           | 16MHz                           |
| LQH31MN150K03□ | 15μH±10%   | 1MHz           | 90mA          | 3.0ohm±30%    | 35       | 5MHz           | 16MHz                           |
| LQH31MN180J03□ | 18μH±5%    | 1MHz           | 85mA          | 3.4ohm±30%    | 35       | 5MHz           | 15MHz                           |
| LQH31MN180K03□ | 18μH±10%   | 1MHz           | 85mA          | 3.4ohm±30%    | 35       | 5MHz           | 15MHz                           |
| LQH31MN220J03□ | 22μH±5%    | 1MHz           | 85mA          | 3.1ohm±30%    | 40       | 2.5MHz         | 14MHz                           |
| LQH31MN220K03□ | 22μH±10%   | 1MHz           | 85mA          | 3.1ohm±30%    | 40       | 2.5MHz         | 14MHz                           |
| LQH31MN270J03□ | 27μH±5%    | 1MHz           | 85mA          | 3.4ohm±30%    | 40       | 2.5MHz         | 13MHz                           |
| LQH31MN270K03□ | 27μH±10%   | 1MHz           | 85mA          | 3.4ohm±30%    | 40       | 2.5MHz         | 13MHz                           |
| LQH31MN330J03□ | 33μH±5%    | 1MHz           | 80mA          | 3.8ohm±30%    | 40       | 2.5MHz         | 12MHz                           |
| LQH31MN330K03□ | 33μH±10%   | 1MHz           | 80mA          | 3.8ohm±30%    | 40       | 2.5MHz         | 12MHz                           |
| LQH31MN390J03□ | 39μH±5%    | 1MHz           | 55mA          | 7.2ohm±30%    | 40       | 2.5MHz         | 11MHz                           |
| LQH31MN390K03□ | 39μH±10%   | 1MHz           | 55mA          | 7.2ohm±30%    | 40       | 2.5MHz         | 11MHz                           |
| LQH31MN470J03□ | 47μH±5%    | 1MHz           | 55mA          | 8.0ohm±30%    | 40       | 2.5MHz         | 10MHz                           |
| LQH31MN470K03□ | 47μH±10%   | 1MHz           | 55mA          | 8.0ohm±30%    | 40       | 2.5MHz         | 10MHz                           |
| LQH31MN560J03□ | 56μH±5%    | 1MHz           | 50mA          | 8.9ohm±30%    | 40       | 2.5MHz         | 9MHz                            |
| LQH31MN560K03□ | 56μH±10%   | 1MHz           | 50mA          | 8.9ohm±30%    | 40       | 2.5MHz         | 9MHz                            |
| LQH31MN680J03□ | 68μH±5%    | 1MHz           | 50mA          | 9.9ohm±30%    | 40       | 2.5MHz         | 8.5MHz                          |
| LQH31MN680K03□ | 68μH±10%   | 1MHz           | 50mA          | 9.9ohm±30%    | 40       | 2.5MHz         | 8.5MHz                          |
| LQH31MN820J03□ | 82μH±5%    | 1MHz           | 45mA          | 11ohm±30%     | 40       | 2.5MHz         | 7.5MHz                          |
| LQH31MN820K03□ | 82μH±10%   | 1MHz           | 45mA          | 11ohm±30%     | 40       | 2.5MHz         | 7.5MHz                          |
| LQH31MN101J03□ | 100μH±5%   | 1MHz           | 45mA          | 12ohm±30%     | 40       | 2.5MHz         | 7MHz                            |
| LQH31MN101K03□ | 100μH±10%  | 1MHz           | 45mA          | 12ohm±30%     | 40       | 2.5MHz         | 7MHz                            |

Class of Magnetic Shield: No magnetic shield    Operating Temperature Range: -40°C to +85°C

■ Q-Frequency Characteristics (Typ.)



■ Inductance-Current Characteristics (Typ.)



△Note • Please read rating and △CAUTION (for storage, operating, rating, soldering, mounting and handling) in this catalog to prevent smoking and/or burning, etc.  
 • This catalog has only typical specifications because there is no space for detailed specifications. Therefore, please review our product specifications or consult the approval sheet for product specifications before ordering.