

# LQH2HP\_G0 Series (1008 Size)

LQH2HP\_G0

Thickness  
**1.0mm**  
max.

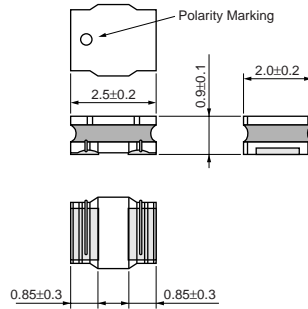
Magnetic  
Resin  
Shield

Reflow  
OK

New

1008 Size, 1.0mm max. Thickness

### ■ Dimensions



(in mm)

### ■ Packaging

Code	Packaging	Minimum Quantity
L	180mm Embossed Tape	3000

Refer to pages from p.80 to p.83 for mounting information.

### ■ Rated Value (□: packaging code)

Part Number	Inductance	Rated Current <sup>*1</sup> (Based on Inductance Change)	Rated Current <sup>*2</sup> (Based on Temperature Rise)	DC Resistance	Self Resonance Frequency (min.)	
LQH2HPN2R2MG0□	2.2μH±20%	1640mA	1000mA	0.17ohm ±20%	80MHz	New Kit
LQH2HPN3R3MG0□	3.3μH±20%	1290mA	810mA	0.27ohm ±20%	65MHz	New Kit
LQH2HPN4R7MG0□	4.7μH±20%	1000mA	700mA	0.36ohm ±20%	60MHz	New Kit
LQH2HPN6R8MG0□	6.8μH±20%	800mA	590mA	0.5ohm ±20%	10MHz	New Kit
LQH2HPN100MG0□	10μH±20%	700mA	490mA	0.73ohm ±20%	10MHz	New Kit
LQH2HPN220MG0□	22μH±20%	490mA	340mA	1.6ohm ±20%	10MHz	New Kit
LQH2HPN101MG0□	100μH±20%	210mA	130mA	10ohm ±20%	5MHz	New Kit

Test Frequency: 1MHz Class of Magnetic Shield: Magnetic shield of magnetic powder in resin

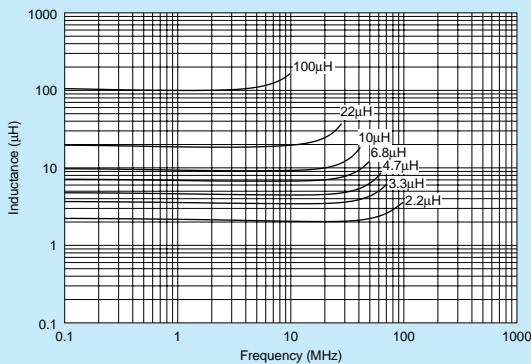
Operating Temperature Range (Self-temperature rise is not included): -40°C to +85°C

Only for reflow soldering.

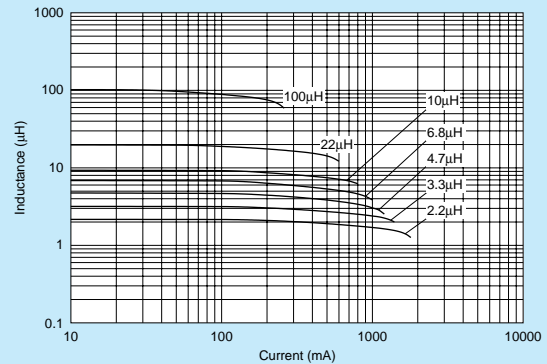
\*1 When Rated Current is applied to the Products, Inductance will be within -30% of minimum rated Inductance value.

\*2 When Rated Current is applied to the Products, self-generation of heat will rise to 40°C or less.

### ■ Inductance-Frequency Characteristics (Typ.)



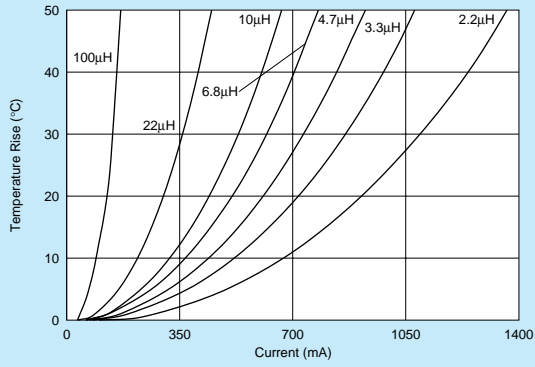
### ■ Inductance-Current Characteristics (Typ.)



Continued on the following page.

△Note • Please read rating and △CAUTION (for storage, operating, rating, soldering, mounting and handling) in this catalog to prevent smoking and/or burning, etc.  
• This catalog has only typical specifications because there is no space for detailed specifications. Therefore, please review our product specifications or consult the approval sheet for product specifications before ordering.

■ Temperature Rise Characteristics (Typ.)



△Note • Please read rating and △CAUTION (for storage, operating, rating, soldering, mounting and handling) in this catalog to prevent smoking and/or burning, etc.  
• This catalog has only typical specifications because there is no space for detailed specifications. Therefore, please review our product specifications or consult the approval sheet for product specifications before ordering.