

## Load Cell



### FEATURES

- Capacity range: 50, 100, 200, 400, and 1000kN (11.2K, 22.5K, 45K, 90K, and 225K lb)
- Cylindrical shape for easy installation
- High accuracy
- ATEX approved for hazardous areas
- High overload capacity
- Stainless steel construction

### DESCRIPTION

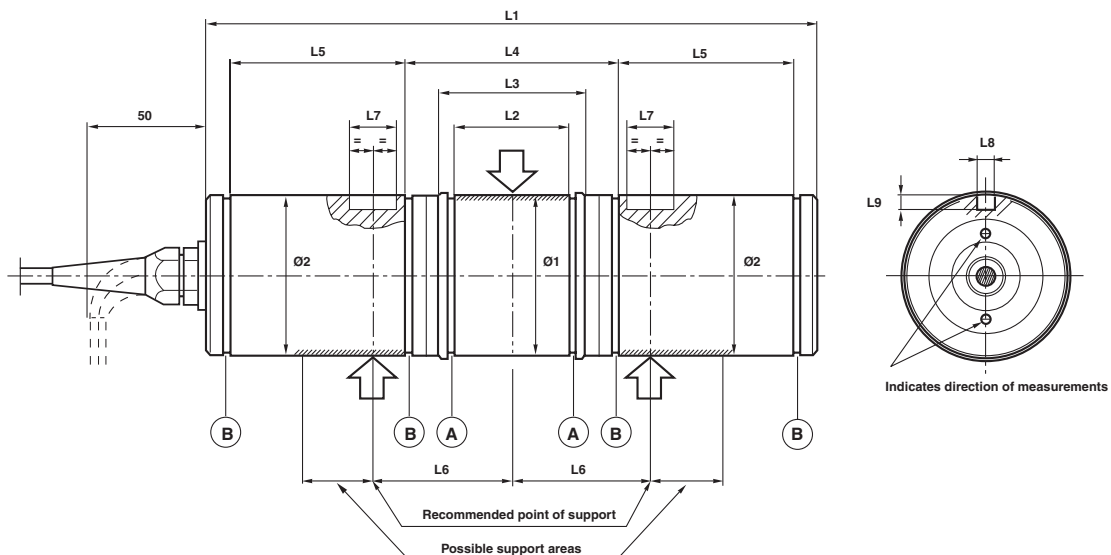
The KISD-6 load cell has several features that clearly distinguish it from other load cells. It is easy to install and extremely accurate, even when subjected to extreme pivotal forces and severe environmental conditions.

All KIS load cells can be ATEX certified for use in explosive atmospheres.

### APPLICATIONS

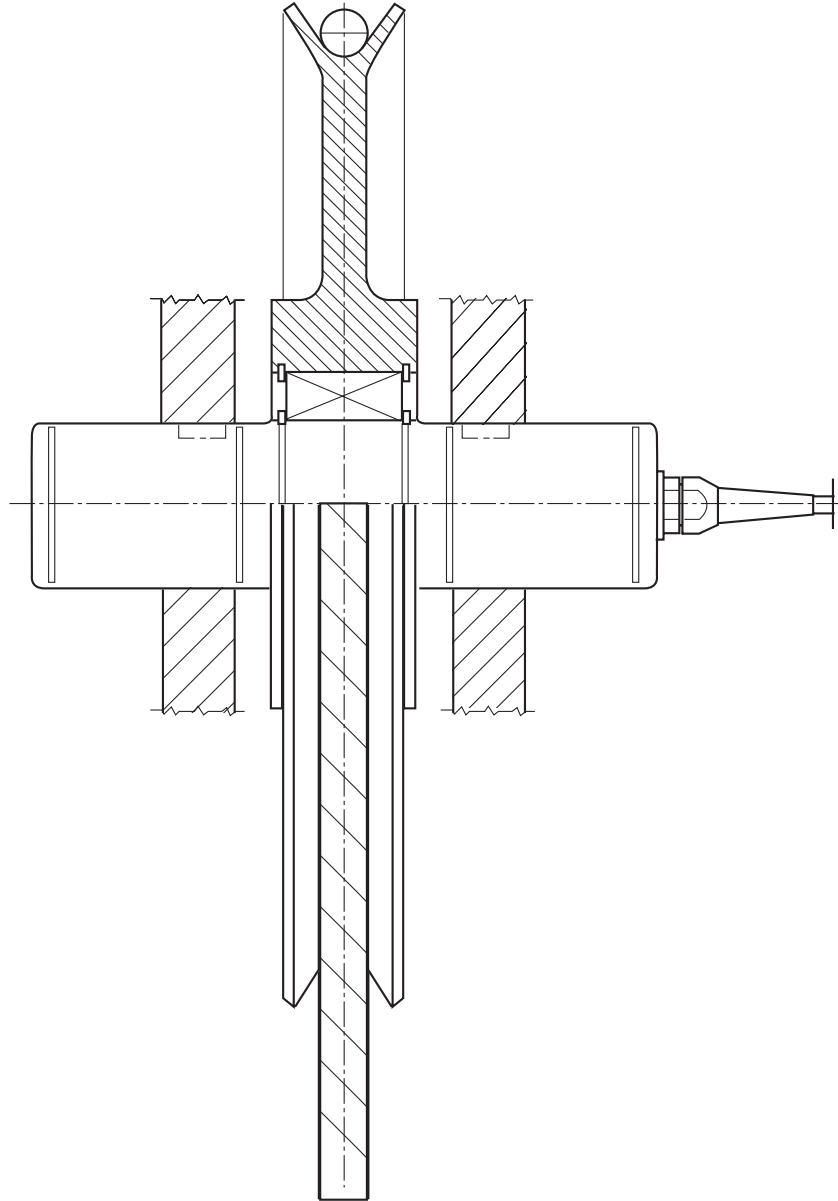
- Crane scales
- Conveyors
- High-capacity storage bins

### OUTLINE DIMENSIONS



RANGE kN	L1	L2	L3	L4	L5	L6	L7	L8	L9	Ø1	Ø2	A Circlip	B Circlip
50, 100	260	49 <sup>+0.5</sup> / <sub>+0.2</sub>	62	90	75 <sup>+0.5</sup> / <sub>+0.2</sub>	59	20	7	6	70 <sup>-0.030</sup> / <sub>-0.076</sub>	68 <sup>0</sup> / <sub>-0.120</sub>	70 X 2.5	68 X 2.5
200	306	60 <sup>+0.5</sup> / <sub>+0.3</sub>	76	106	90 <sup>+0.5</sup> / <sub>+0.3</sub>	73	30	7	7.5	90 <sup>-0.036</sup> / <sub>-0.090</sub>	88 <sup>0</sup> / <sub>-0.140</sub>	90 X 3.0	88 X 3.0
400	360	70 <sup>+0.5</sup> / <sub>+0.3</sub>	86	116	112 <sup>+0.5</sup> / <sub>+0.3</sub>	83	35	8.5	8.5	100 <sup>-0.036</sup> / <sub>-0.090</sub>	99 <sup>0</sup> / <sub>-0.140</sub>	100 X 3.0	100 X 3.0
1000	500	150 <sup>+0.5</sup> / <sub>+0.3</sub>	180	222	124 <sup>+0.5</sup> / <sub>+0.3</sub>	145	35	15	10	140 <sup>-0.043</sup> / <sub>-0.106</sub>	139 <sup>0</sup> / <sub>-0.160</sub>	140 X 4.0	140 X 4.0

**INSTALLATION EXAMPLE**



## SPECIFICATIONS

Rated load (R.L.)		50, 100, 200, 400, 1000	kN
Combined error (terminal)		± 0.1	% of R.O.
Repeatability		0.02	% of R.O.
Overload	safe	100*	% of R.L.
	ultimate	200*	% of R.L.
Sideload	safe	100*	% of R.L.
	ultimate	200*	% of R.L.
Input voltage	recommended	10	V DC or AC
	maximum	18	V DC or AC
Input resistance		382 ± 3	ohm
Output resistance		350 ± 3	ohm
Rated output (R.O.)		≈ 2	mV/V
Zero balance		± 5	% of R.O.
Tolerance of shunt calibration values		± 0.25	% of value**
Temperature range		- 40 to + 80 (+ 100)***	°C
Temperature effect (- 10°C to + 50°C)	on output	± 0.005	% of output/ °C
	on zero balance	± 0.005	% of R.O./ °C
Insulation resistance at 200 V DC		> 4	Gohm
Material		Stainless steel	
Electrical connection		10 m shielded four conductor cable	
Degree of protection		IP 67	
*Referring to recommended loading case		ATEX certified versions for use in explosive atmospheres are available	
**See calibration sheet of the load cell		II 1GD	
***- 40 to + 100°C on demand			

## Disclaimer

ALL PRODUCTS, PRODUCT SPECIFICATIONS AND DATA ARE SUBJECT TO CHANGE WITHOUT NOTICE.

Vishay Precision Group, Inc., its affiliates, agents, and employees, and all persons acting on its or their behalf (collectively, "Vishay Precision Group"), disclaim any and all liability for any errors, inaccuracies or incompleteness contained herein or in any other disclosure relating to any product.

The product specifications do not expand or otherwise modify Vishay Precision Group's terms and conditions of purchase, including but not limited to, the warranty expressed therein.

Vishay Precision Group makes no warranty, representation or guarantee other than as set forth in the terms and conditions of purchase. **To the maximum extent permitted by applicable law, Vishay Precision Group disclaims (i) any and all liability arising out of the application or use of any product, (ii) any and all liability, including without limitation special, consequential or incidental damages, and (iii) any and all implied warranties, including warranties of fitness for particular purpose, non-infringement and merchantability.**

Information provided in datasheets and/or specifications may vary from actual results in different applications and performance may vary over time. Statements regarding the suitability of products for certain types of applications are based on Vishay Precision Group's knowledge of typical requirements that are often placed on Vishay Precision Group products. It is the customer's responsibility to validate that a particular product with the properties described in the product specification is suitable for use in a particular application.

No license, express, implied, or otherwise, to any intellectual property rights is granted by this document, or by any conduct of Vishay Precision Group.

The products shown herein are not designed for use in life-saving or life-sustaining applications unless otherwise expressly indicated. Customers using or selling Vishay Precision Group products not expressly indicated for use in such applications do so entirely at their own risk and agree to fully indemnify Vishay Precision Group for any damages arising or resulting from such use or sale. Please contact authorized Vishay Precision Group personnel to obtain written terms and conditions regarding products designed for such applications.

Product names and markings noted herein may be trademarks of their respective owners.