

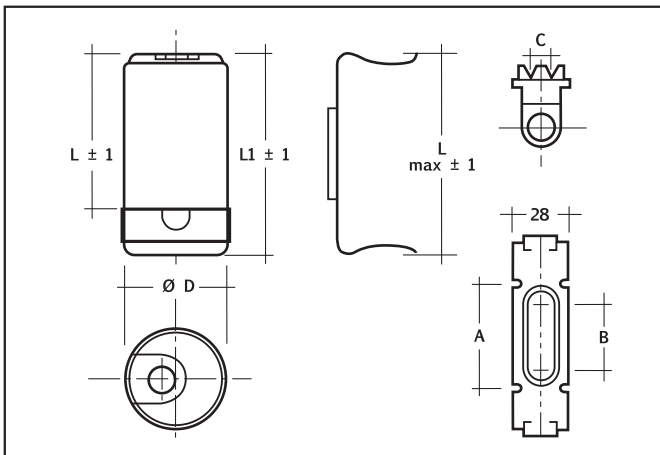
## K13 TYPE MOTOR START

RoHS Compliant  
Directive 2002/95/EC

- Surge-proof electrolytic capacitor in plastic case.
- Poles brought out to single or double fast-on terminals
- Normally supplied with end cup.
- On request: bipolar cable, discharge resistance, metal mounting bracket, with or without cover.

### APPLICATIONS

Non polarized capacitor especially designed for intermittent A.C. voltage applications at 50-60 Hz for single phase motor starting.



	Case			Bracket		
	$\varnothing$ est. mm.	L mm.	L1 mm.	Lmax mm.	A mm.	B x C mm.
<b>B2</b>	46	85.7	98.4	104	53	37 x 6.1

## SPECIFICATIONS

<b>Operating Temperature Range</b>	(Operating) -25°C +75°C (Storage) -40°C +85°C
<b>Working Voltage Range</b>	from 125V AC to 320V AC
<b>Capacitance Range</b>	from 25 µF to 800 µF
<b>Capacitance Tolerance</b>	-0% +25% or ±10%
<b>Tan δ (Dissipation loss angle)</b>	Measurement frequency; 100 Hz, temperature 20°C Value shall not exceed 0.10 and shall be calculated as follows: $\tan d = W / ( V \times I ) = ( \text{true watts} / \text{apparent watts} )$
<b>Capacitance Measurement</b>	Capacitance shall be determined by measuring the current (after 2÷3 seconds of energising) through the capacitors at rated voltage and frequency. The capacitance is defined from the following formula: $C = ( I \times 10^6 ) / 2 \pi p \times f \times V$  C = capacitance in µF I = current in Amperes $\pi = 3.14$ constant f = frequency in Hz V = applied AC voltage in Volt
<b>Working condition</b>	The standard time rating defined of the IEC 252 is 1.67% or 1/60 <sup>th</sup> full time and corresponds to a duty cycle of 3 seconds on and 177 seconds off. Alternative customer duty is available on request.
<b>Endurance test</b>	500 hours
<b>Reference standards</b>	VDE 560 - 8 IEC 252

## K13 TYPE STANDARD RATINGS

RoHS Compliant  
Directive 2002/95/EC

Cap μF	PART NUMBER digit_13=0 no cover	PART NUMBER digit_13=1 with cover	PART NUMBER digit_13=2 with cover + bracket
100-125	K131251000000B2	K131251000001B2	K131251000002B2
125-160	K131251250000B2	K131251250001B2	K131251250002B2
160-200	K131251600000B2	K131251600001B2	K131251600002B2
200-250	K131252000000B2	K131252000001B2	K131252000002B2
250-315	K131252500000B2	K131252500001B2	K131252500002B2
315-400	K131253150000B2	K131253150001B2	K131253150002B2
600	K131256000000B2	K131256000001B2	K131256000002B2
800	K131258000000B2	K131258000001B2	K131258000002B2

VOLTAGE

125VAC

Cap μF	PART NUMBER digit_13=0 no cover	PART NUMBER digit_13=1 with cover	PART NUMBER digit_13=2 with cover + bracket
25-31	K132500250000B2	K132500250001B2	K132500250002B2
31-40	K132500310000B2	K132500310001B2	K132500310002B2
40-50	K132500400000B2	K132500400001B2	K132500400002B2
50-63	K132500500000B2	K132500500001B2	K132500500002B2
63-80	K132500630000B2	K132500630001B2	K132500630002B2
80-100	K132500800000B2	K132500800001B2	K132500800002B2
100-125	K132501000000B2	K132501000001B2	K132501000002B2
125-160	K132501250000B2	K132501250001B2	K132501250002B2
160-200	K132501600000B2	K132501600001B2	K132501600002B2
200-250	K132502000000B2	K132502000001B2	K132502000002B2
250-315	K132502500000B2	K132502500001B2	K132502500002B2
315-400	K132503150000B2	K132503150001B2	K132503150002B2
400	K132504000000B2	K132504000001B2	K132504000002B2
500	K132505000000B2	K132505000001B2	K132505000002B2

VOLTAGE

250VAC

Cap μF	PART NUMBER digit_13=0 no cover	PART NUMBER digit_13=1 with cover	PART NUMBER digit_13=2 with cover + bracket
25-31	K133200250000B2	K133200250001B2	K133200250002B2
31-40	K133200310000B2	K133200310001B2	K133200310002B2
40-50	K133200400000B2	K133200400001B2	K133200400002B2
50-63	K133200500000B2	K133200500001B2	K133200500002B2
63-80	K133200630000B2	K133200630001B2	K133200630002B2
80-100	K133200800000B2	K133200800001B2	K133200800002B2
100-125	K133201000000B2	K133201000001B2	K133201000002B2
125-160	K133201250000B2	K133201250001B2	K133201250002B2
160-200	K133201600000B2	K133201600001B2	K133201600002B2
200-250	K133202000000B2	K133202000001B2	K133202000002B2
250-315	K133202500000B2	K133202500001B2	K133202500002B2

VOLTAGE

320VAC