



## Features

- 1.27 mm pitch
- Precious metal contacts
- Twin hot contacts (symmetrical pad layout)
- Pick & place compatible
- High cycle life
- RoHS compliant\* - see [processing information](#) on lead free modular contacts

## Applications

- Handheld communications - mobile phones, pagers, cordless phones, GPS, PICs, radios
- Portable consumer equipment - PDAs, HPCs, notebook PCs, cameras, dictaphones, PICs, games

# 70AB/Female - Modular Contact

### Materials & Finishes

Insulator....Glass reinforced thermoplastic, UL 94V-0 rated, black  
 Contact.....Copper alloy  
 Finish  
 Underplating .....Nickel  
 Contact Area.....Gold

### Operating Characteristics

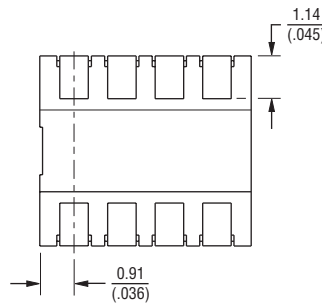
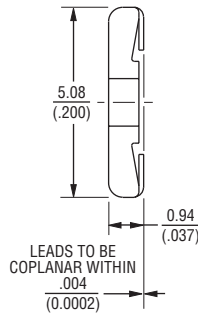
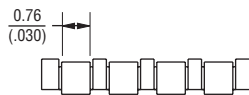
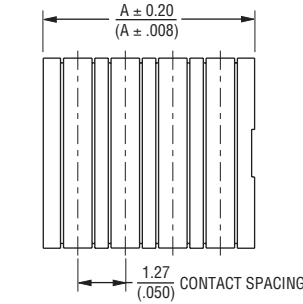
Electrical  
 Current Rating.....3 A/contact  
 Voltage Rating.....60 V  
 Contact Resistance ...25 milliohms max.  
 Dielectric Voltage .....AC 500 V  
 Insulating Resistance..1000 Mohms min.  
 Operating Temperature  
 .....-55 °C to +125 °C  
 Mechanical  
 Durability.....5,000 cycles min.

### How to Order

**70AB J - 4 - F 0 E**

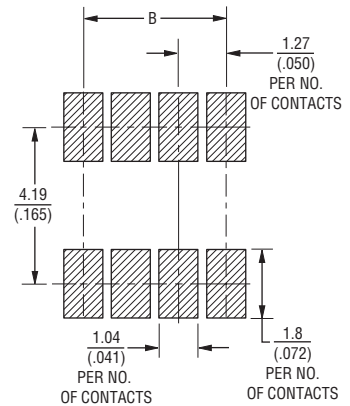
Model \_\_\_\_\_  
 Terminal Style \_\_\_\_\_  
 Number of Contacts (N)  
 2 or 4  
 Gender \_\_\_\_\_  
 F = Female  
 Options \_\_\_\_\_  
 0 = Standard  
 Packaging Option \_\_\_\_\_  
 E = Embossed Tape (500 pcs. per reel)

### Product Dimensions



Number of Contacts	Dimension A
2	$\frac{3.05}{(.120)}$
4	$\frac{5.59}{(.220)}$

### Recommended PWB Layout



Number of Contacts	Dimension B
2	$\frac{1.27}{(.050)}$
4	$\frac{3.81}{(.150)}$

TOLERANCES:  $\pm .025$  ( $\pm .010$ ) UNLESS OTHERWISE NOTED

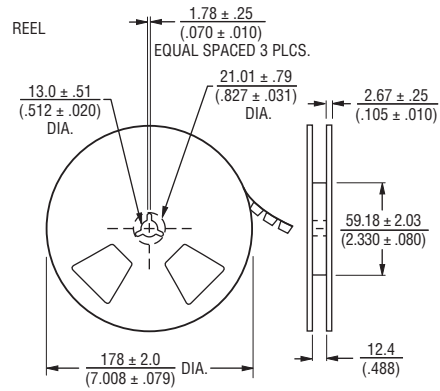
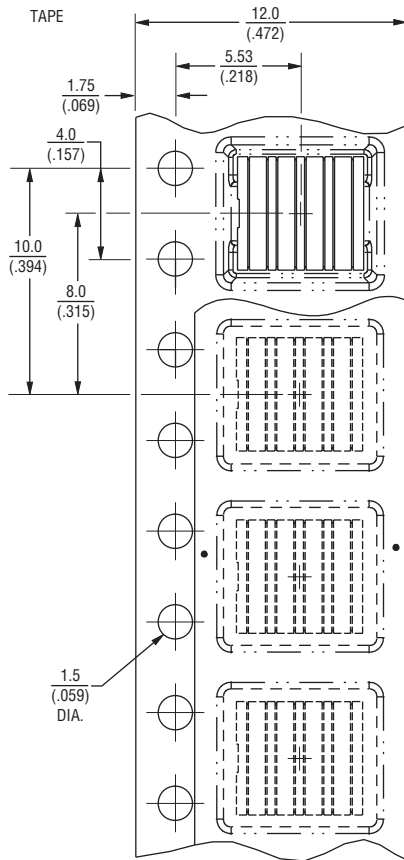
DIMENSIONS:  $\frac{\text{MM}}{\text{(INCHES)}}$

\*RoHS Directive 2002/95/EC Jan 27 2003 including Annex.  
 Specifications are subject to change without notice.  
 Customers should verify actual device performance in their specific applications.

# 70AB/Female - Modular Contact

**BOURNS®**

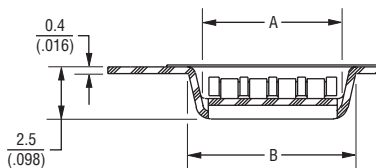
## Packaging Specifications



No. of Contacts	Dimension A	Dimension B (Max.)
2	3.54 (.139)	4.88 (.192)
4	6.10 (.240)	7.44 (.293)

TOLERANCES: .XX =  $\frac{\pm .02}{(\pm .050)}$  UNLESS OTHERWISE NOTED  
 .XXX =  $\frac{\pm .005}{(\pm .127)}$  UNLESS OTHERWISE NOTED

DIMENSIONS:  $\frac{\text{MM}}{(\text{INCHES})}$



**BOURNS®**

Asia-Pacific: Tel: +886-2 2562-4117 • Fax: +886-2 2562-4116

Europe: Tel: +41-41 768 5555 • Fax: +41-41 768 5510

The Americas: Tel: +1-951 781-5500 • Fax: +1-951 781-5700

www.bourns.com

REV. 06/28/10

Specifications are subject to change without notice.  
 Customers should verify actual device performance in their specific applications.