



## WR-DSUB - D-SUB Connector





## WR-DSUB - D-SUB Connector

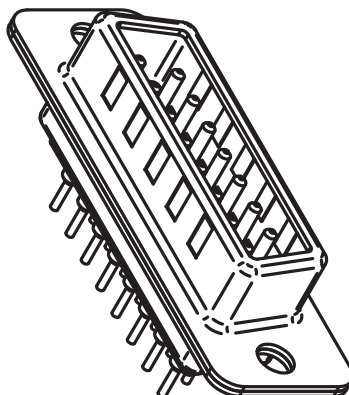
D-Sub connectors have been used in different markets for decades and although it's said to be an end of life product, its worldwide consumption is still increasing. Today nearly every electronic product uses D-Sub, from computer market to industrial or Telecom market it's nearly impossible to find an application without D-Sub.

The D shape design, made to avoid reverse plugging has been so successful that D-Sub have been developed in many different versions, from the cable side to the PCB type, as well as different types of housings.

Würth Elektronik D-Sub connectors are produced according to CECC 75 301-802 (equivalent to DIN41652) dimensions and are compatible with the existing worldwide standards.








Male and female connectors are offered in four shell sizes, 09,15,25 & 37 for the standard D-Sub and 15, 26, 44 & 62 for the High Density type. Different types of cable connection (IDC, crimp and solder bucket) as well as different PCB connections (straight & right angle) are available.

Turned and stamped contact as well as different platings are other possibilities to help designer to select the right connector for the right application.





## WR-DSUB - D-SUB Connector

	IDC D-SUB	11-5 to 11-6
	Solder Bucket D-SUB	11-7 to 11-10
	Crimp Housing & Contacts	11-11 to 11-15
	Straight PCB D-SUB	11-16 to 11-19
<b>NEW</b> 	Angled PCB D-SUB	11-20 to 11-23
<b>NEW</b> 	High Density D-SUB	11-24 to 11-27
<b>NEW</b> 	Hoods	11-28 to 11-31

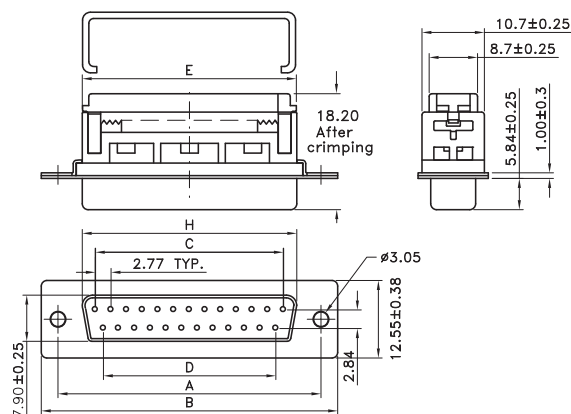


## WR-DSUB

Sub-family	PCB/Cable	Type	Stamped/Turned	Gender	Option	p/n	page		
Standard	Cable	IDC	Stamped	Male		6180 0xx 221 823	11-05		
				Female		618 0xx 221 923	11-06		
		Solder bucket	Stamped	Male		618 0xx 248 23	11-07		
				Female		618 0xx 249 23	11-08		
			Turned	Male		518 0xx 248 11	11-09		
				Female		518 0xx 249 11	11-10		
		Crimp housing		Male		618 0xx 217 122	11-11		
				Female		618 0xx 217 222	11-12		
		Terminal/Contact	Stamped	Male	AWG 22-20		618 004 137 22	11-13	
					AWG 26-24		618 051 372 2	11-13	
			Stamped	Female	AWG 22-20		618 002 137 22	11-14	
					AWG 26-24		618 003 137 22	11-14	
	Tool				618 000 000 01	11-15			
	PCB	Straight	Stamped	Male		618 0xx 250 23	11-16		
				Female		618 0xx 251 23	11-17		
			Turned	Male		518 0xx 250 11	11-18		
				Female		518 0xx 251 11	11-19		
		Angled	Stamped	Male	With hex screw		618 0xx 231 x21	11-20	
					Without hex screw		618 0xx 2xx 721	11-21	
			Stamped	Female	With hex screw		618 0xx 231 x21	11-22	
Without hex screw						618 0xx 2xx 821	11-23		
High density	PCB	Angled	Stamped	Male	With hex screw	618 0xx 331 023	11-24	NEW	
					Without hex screw	618 0xx 325 323	11-25	NEW	
			Stamped	Female	With hex screw	618 0xx 330 923	11-26		
					Without hex screw	618 0xx 325 223	11-27	NEW	
Hoods		Plastic	top entry			618 0xx 253 22	11-28		
		Plastic	small top entry			618 0xx 214 622	11-29		
		Plastic metalized	top entry			618 0xx 253 11	11-30		
		Metal	top entry			418 0xx 279 11	11-31	NEW	



# WR-DSUB Male IDC



### MATERIAL

- Insulator material: PBT
- Colour: Blue
- Contact material: Copper alloy
- Contact type: Stamped
- Contact plating: Selective gold
- Shielding: Steel tin plated
- Quality class: 3 as per IEC60 603-13

### ENVIRONMENTAL

- Operating temperature: -40 °C up to 85 °C
- Flammability rating: UL94-V0
- Compliance: Lead free and RoHS

### ELECTRICAL

- Current rating: 3 A
- Working voltage: 250 V<sub>AC</sub>
- Insulation resistance: >5000 MΩ
- Dielectric withstanding voltage: 1000 Vac/mn
- Contact resistance: 30 mΩ max

### PACKAGING

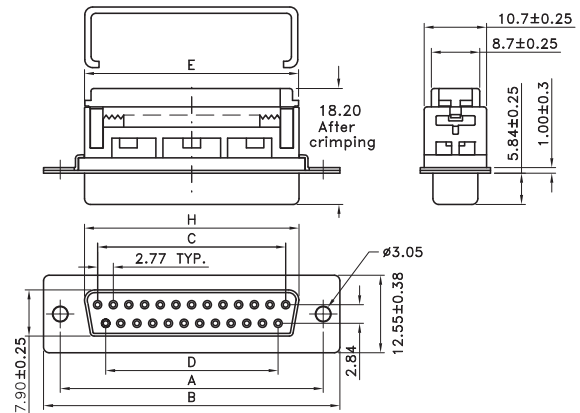
- Tray + bag\*
- \* Strain relief is always delivered in a separate bag for optional use

For suitable cable, please see chapter 05

Order Code	Pins	A (mm)	B (mm)	C (mm)	D (mm)	E (mm)	H (mm)
618 009 221 823	9	24.99	30.80	11.08	8.31	16.10	16.92
618 015 221 823	15	33.32	39.10	19.39	16.62	24.00	25.25
618 025 221 823	25	47.04	53.09	33.24	30.47	38.14	38.96
618 037 221 823	37	63.50	69.40	49.86	47.09	54.60	55.42



# WR-DSUB Female IDC



### MATERIAL

- Insulator material: PBT
- Colour: Blue
- Contact material: Copper alloy
- Contact type: Stamped
- Contact plating: Selective gold
- Shielding: Steel tin plated
- Quality class: 3 as per IEC60 603-13

### ENVIRONMENTAL

- Operating temperature: -40 °C up to 85 °C
- Flammability rating: UL94-V0
- Compliance: Lead free and RoHS

### ELECTRICAL

- Current rating: 3 A
- Working voltage: 250 V<sub>AC</sub>
- Insulation resistance: >5000 MOhm
- Dielectric withstanding voltage: 1000 Vac/mn
- Contact resistance: 30 mOhm max

### PACKAGING

- Tray + bag\*

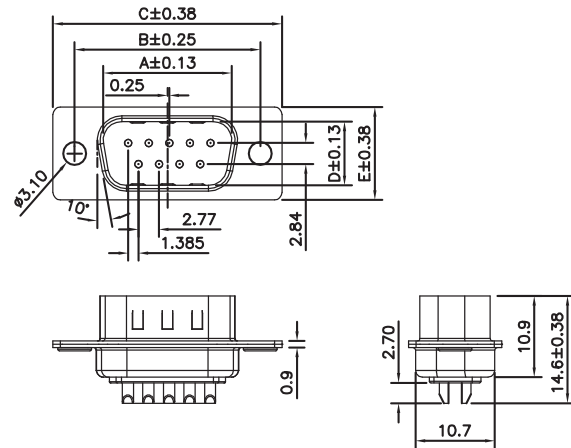
\* Strain relief is always delivered in a separate bag for optional use

For suitable cable, please see chapter 05

Order Code	Pins	A (mm)	B (mm)	C (mm)	D (mm)	E (mm)	H (mm)
618 009 221 923	9	24.99	30.80	11.08	8.31	16.10	16.33
618 015 221 923	15	33.32	39.10	19.39	16.62	24.00	24.66
618 025 221 923	25	47.04	53.09	33.24	30.47	38.14	38.38
618 037 221 923	37	63.50	69.40	49.86	47.09	54.60	54.84



# WR-DSUB Male Solder Bucket



**MATERIAL**

- Insulator material: PBT
- Colour: White
- Contact material: Copper alloy
- Contact type: Stamped
- Contact plating: Selective gold
- Shielding: Steel Tin plated
- Quality class: 3 as per IEC60 603-13

**ENVIRONMENTAL**

- Operating temperature: -40 °C up to 105 °C
- Flammability rating: UL94-V0
- Compliance: Lead free and RoHS

**ELECTRICAL**

- Current rating: 3 A
- Working voltage: 250 V<sub>AC</sub>
- Insulation resistance: >5000 MOhm
- Dielectric withstanding voltage: 1000 Vac/mn
- Contact resistance: 30 mOhm max

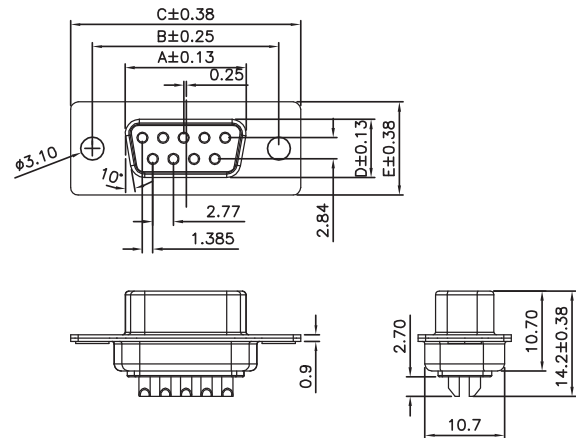
**PACKAGING**

- Tray

Order Code	Pins	A (mm)	B (mm)	C (mm)	D (mm)	E (mm)
618 009 248 23	9	16.92	24.99	30.81	8.38	12.50
618 015 248 23	15	25.25	33.32	39.14	8.38	12.50
618 025 248 23	25	38.96	47.04	53.04	8.38	12.50
618 037 248 23	37	55.42	63.50	69.32	8.38	12.50



# WR-DSUB Female Solder Bucket



**MATERIAL**

- Insulator material: PBT
- Colour: White
- Contact material: Copper alloy
- Contact type: Stamped
- Contact plating: Selective gold
- Shielding: Steel Tin plated
- Quality class: 3 as per IEC60 603-13

**ENVIRONMENTAL**

- Operating temperature: -40 °C up to 105 °C
- Flammability rating: UL94-V0
- Compliance: Lead free and RoHS

**ELECTRICAL**

- Current rating: 3 A
- Working voltage: 250 VAC
- Insulation resistance: >5000 MOhm
- Dielectric withstanding voltage: 1000 Vac/mn
- Contact resistance: 30 mOhm max

**PACKAGING**

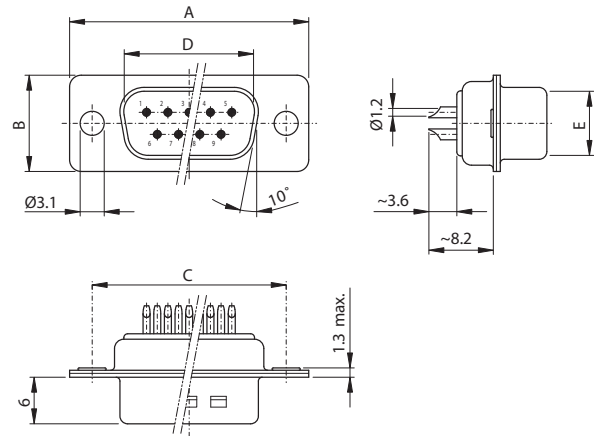
- Tray

Order Code	Pins	A (mm)	B (mm)	C (mm)	D (mm)	E (mm)
618 009 249 23	9	16.33	24.99	30.81	7.90	12.50
618 015 249 23	15	24.66	33.32	39.14	7.90	12.50
618 025 249 23	25	38.38	47.04	53.04	7.90	12.50
618 037 249 23	37	54.84	63.50	69.32	7.90	12.50





# WR-DSUB Male Solder Bucket with Turned Contacts



**MATERIAL**

- Insulator material: Nylon 66
- Colour: White
- Contact material: Copper alloy
- Contact type: Turned
- Contact plating: Gold
- Shielding: Steel Tin plated
- Quality class: 2 as per IEC60 603-13

**ENVIRONMENTAL**

- Operating temperature: -55 °C up to 125 °C
- Flammability rating: UL94-V0
- Compliance: Lead free and RoHS

**ELECTRICAL**

- Current rating: 5 A
- Working voltage: 250 V<sub>AC</sub>
- Insulation resistance: >5000 MOhm
- Dielectric withstanding voltage: 1000 Vac/mn
- Contact resistance: 30 mOhm max

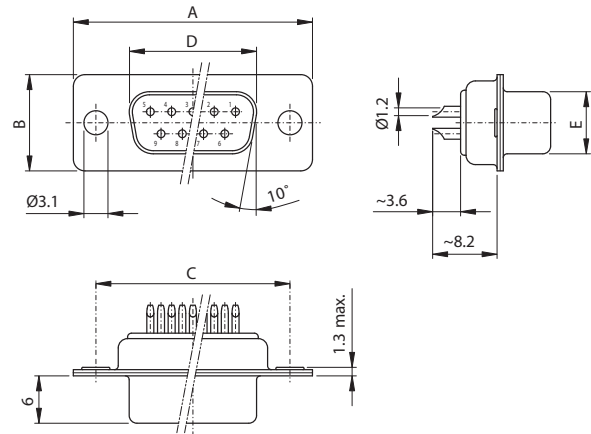
**PACKAGING**

- Box

Order Code	Plns	A (mm)	B (mm)	C (mm)	D (mm)	E (mm)
518 009 248 11	9	30.80	12.40	25.00	16.79	08.23
518 015 248 11	15	39.20	12.40	33.30	25.12	08.23
518 025 248 11	25	53.10	12.40	47.00	38.84	08.23
518 037 248 11	37	69.50	12.40	63.50	55.30	08.23



# WR-DSUB Female Solder Bucket with Turned Contacts



**MATERIAL**

- Insulator material: Nylon 66
- Colour: White
- Contact material: Copper alloy
- Contact type: Turned
- Contact plating: Gold
- Shielding: Steel Tin plated
- Quality class: 2 as per IEC60 603-13

**ENVIRONMENTAL**

- Operating temperature: -55 °C up to 125 °C
- Flammability rating: UL94-V0
- Compliance: Lead free and RoHS

**ELECTRICAL**

- Current rating: 5 A
- Working voltage: 250 V<sub>AC</sub>
- Insulation resistance: >5000 MOhm
- Dielectric withstanding voltage: 1000 Vac/mn
- Contact resistance: 30 mOhm max

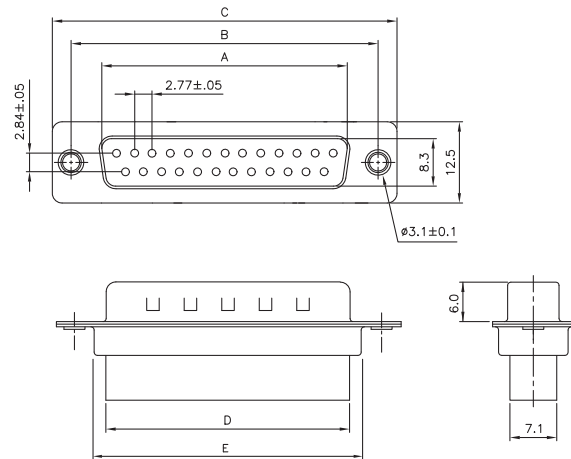
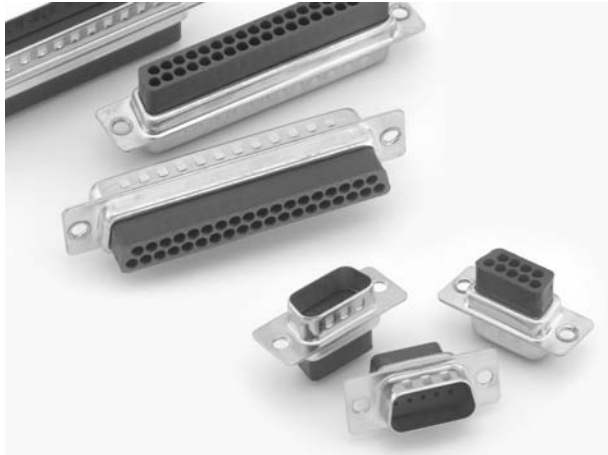
**PACKAGING**

- Box

Order Code	Plns	A (mm)	B (mm)	C (mm)	D (mm)	E (mm)
518 009 249 11	9	30.80	12.40	25.00	16.46	08.02
518 015 249 11	15	39.20	12.40	33.30	24.79	08.02
518 025 249 11	25	53.10	12.40	47.00	38.50	08.02
518 037 249 11	37	69.50	12.40	63.50	54.96	08.02



# WR-DSUB Male Terminal Housing



**MATERIAL**

- Insulator material: PBT
- Colour: Black
- Shielding: Steel Tin plated

**ENVIRONMENTAL**

- Operating temperature: -40 °C up to 85 °C
- Flammability rating: UL94-V0
- Compliance: Lead free and RoHS

**ELECTRICAL**

- Current rating: 3 A
- Working voltage: 250 V<sub>AC</sub>
- Insulation resistance: >5000 MOhm
- Dielectric withstanding voltage: 1000 Vac/mn

**PACKAGING**

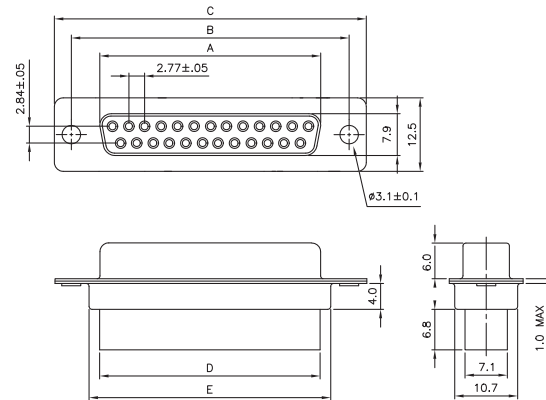
- Tray

To be mounted with 618 004 137 22 or 618 005 137 22 see page 11-13

Order Code	Pins	A (mm)	B (mm)	C (mm)	D (mm)	E (mm)
618 009 217 122	9	16.92	24.99	30.81	15.80	19.20
618 015 217 122	15	25.25	33.32	39.14	24.00	27.70
618 025 217 122	25	38.96	47.04	53.04	38.00	41.10
618 037 217 122	37	55.42	63.50	69.32	54.30	57.30



# WR-DSUB Female Terminal Housing



**MATERIAL**

- Insulator material: PBT
- Colour: Black
- Shielding: Steel Tin plated

**ENVIRONMENTAL**

- Operating temperature: -40 °C up to 85 °C
- Flammability rating: UL94-V0
- Compliance: Lead free and RoHS

**ELECTRICAL**

- Current rating: 3 A
- Working voltage: 250 VAC
- Insulation resistance: >5000 MOhm
- Dielectric withstanding voltage: 1000 Vac/mn

**PACKAGING**

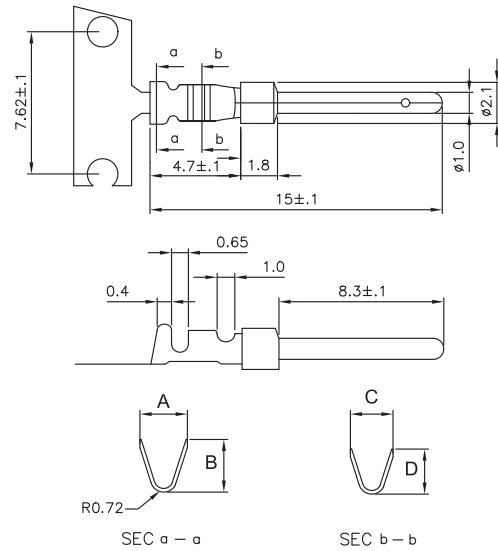
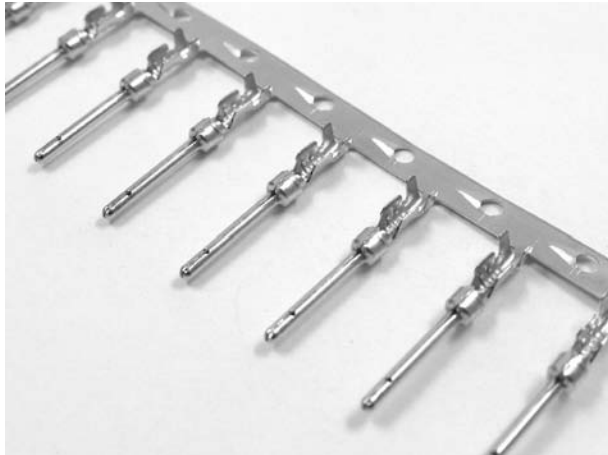
- Tray

To be mounted with 618 002 137 22 or 618 003 137 22 see pages: 11-14

Order Code	Pins	A (mm)	B (mm)	C (mm)	D (mm)	E (mm)
618 009 217 222	9	16.33	24.99	30.81	15.80	19.20
618 015 217 222	15	24.66	33.32	39.14	24.00	27.70
618 025 217 222	25	38.38	47.04	53.04	38.00	41.10
618 037 217 222	37	57.84	63.50	69.32	54.30	57.30



# WR-DSUB Male Crimp Contact



### MATERIAL

- Contact material: Copper alloy
- Contact type: Stamped
- Contact plating: Selective Gold
- Quality class: 3 as per IEC60 603-13

### ENVIRONMENTAL

- Operating temperature: -40 °C up to 85 °C
- Flammability rating: UL94-V0
- Compliance: Lead free and RoHS

### ELECTRICAL

- Current rating: 3 A
- Working voltage: 250 V<sub>AC</sub>
- Contact resistance: 50 mOhm max

### PACKAGING

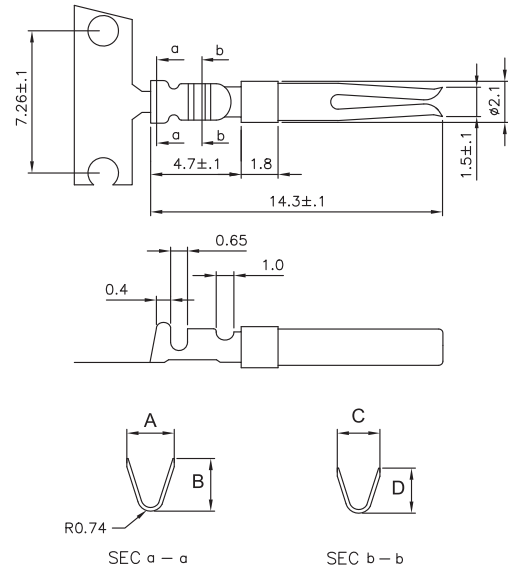
- 5 Kpcs reel
- To order spare contact in small quantity (100pcs per bag) please order 61800413722DEC or 61800513722DEC
- 1pc = 1 contact

Crimping tool see page: 11-15

Order Code	Gender	AWG / mm <sup>2</sup>	A (mm)	B (mm)	C (mm)	D (mm)
618 004 137 22	male	22-20 / 0.326-0.518	2.70	2.64	2.13	1.86
618 005 137 22	male	26-24 / 0.129-0.205	2.26	2.14	1.54	1.75



# WR-DSUB Female Crimp Contact



**MATERIAL**

- Contact material: Copper alloy
- Contact type: Stamped
- Contact plating: Selective Gold
- Quality class: 3 as per IEC60 603-13

**ENVIRONMENTAL**

- Operating temperature: -40 °C up to 85 °C
- Flammability rating: UL94-V0
- Compliance: Lead free and RoHS

**ELECTRICAL**

- Current rating: 3 A
- Working voltage: 250 V<sub>AC</sub>
- Contact resistance: 50 mOhm max

**PACKAGING**

- 5 Kpcs reel
- To order spare contact in small quantity (100pcs per bag) please order 61800213722DEC or 61800313722DEC
- 1pc = 1 contact

Crimping tool see page: 11-15

Order Code	Gender	AWG / mm <sup>2</sup>	A (mm)	B (mm)	C (mm)	D (mm)
618 002 137 22	female	22-20 / 0.326-0.518	2.70	2.20	2.13	2.00
618 003 137 22	female	26-24 / 0.129-0.205	2.35	2.05	1.65	1.40



NEW

## WR-DSUB Tool for Crimp Contact

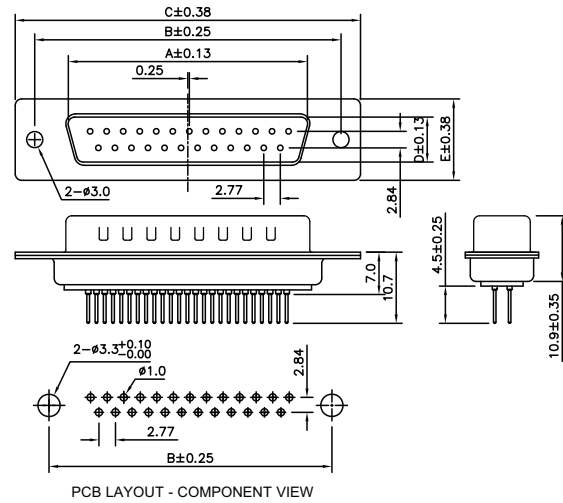


11

Terminal Code	Gauge	Genre
618 000 000 01	30 – 24 (0.05 to 0.20 mm <sup>2</sup> )	male & female
	22 – 18 (0.33 to 0.82 mm <sup>2</sup> )	male & female



# WR-DSUB Male PCB Connector



### MATERIAL

- Insulator material: PBT
- Colour: White
- Contact material: Copper alloy
- Contact type: Stamped
- Contact plating: Gold
- Shielding: Steel Tin plated
- Quality class: 3 as per IEC60 603-13

### ENVIRONMENTAL

- Operating temperature: -40 °C up to 85 °C
- Flammability rating: UL94-V0
- Compliance: Lead free and RoHS

### ELECTRICAL

- Current rating: 3 A
- Working voltage: 250 VAC
- Insulation resistance: >5000 MOhm
- Dielectric withstanding voltage: 1000 Vac/mn
- Contact resistance: 30 mOhm max

### SOLDERING

- Solder temperature: JEDEC lead free wave soldering

### PACKAGING

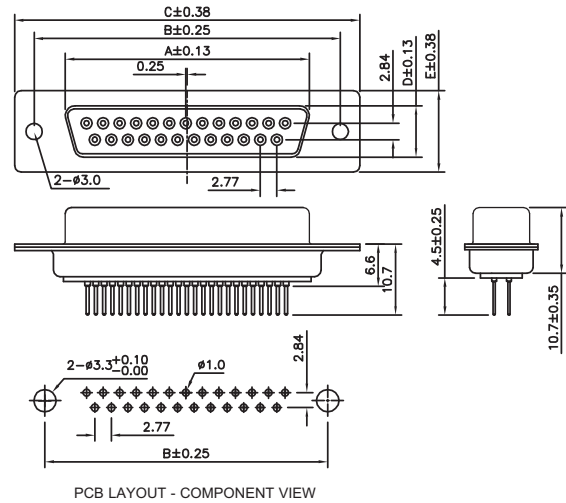
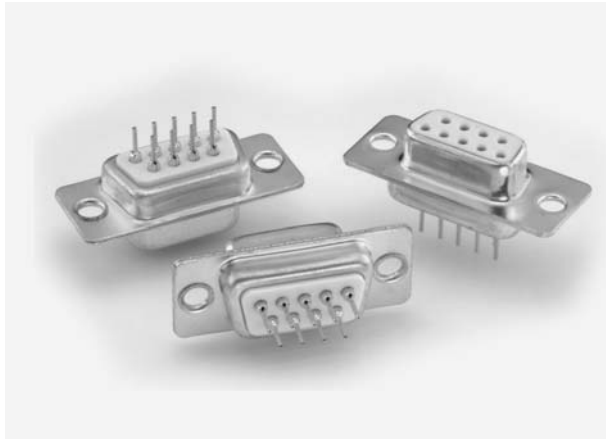
- Tray

Order Code	Pins	A (mm)	B (mm)	C (mm)	D (mm)	E (mm)
618 009 250 23	9	16.92	24.99	30.81	8.38	12.50
618 015 250 23	15	25.25	33.32	39.14	8.38	12.50
618 025 250 23	25	38.96	47.04	53.04	8.38	12.50
618 037 250 23	37	55.42	63.50	69.32	8.38	12.50





# WR-DSUB Female PCB Connector



**MATERIAL**

- Insulator material: PBT
- Colour: White
- Contact material: Copper alloy
- Contact type: Stamped
- Contact plating: Gold
- Shielding: Steel Tin plated
- Quality class: 3 as per IEC60 603-13

**ENVIRONMENTAL**

- Operating temperature: -40 °C up to 85 °C
- Flammability rating: UL94-V0
- Compliance: Lead free and RoHS

**ELECTRICAL**

- Current rating: 3 A
- Working voltage: 250 VAC
- Insulation resistance: >5000 MOhm
- Dielectric withstanding voltage: 1000 Vac/mn
- Contact resistance: 30 mOhm max

**SOLDERING**

- Solder temperature: JEDEC lead free wave soldering

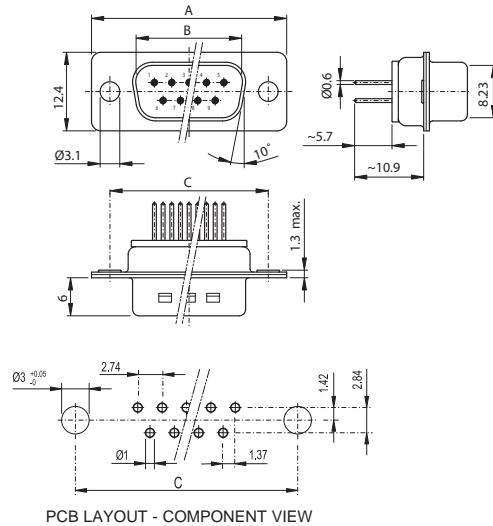
**PACKAGING**

- Tray

Order Code	Pins	A (mm)	B (mm)	C (mm)	D (mm)	E (mm)
618 009 251 23	9	16.33	24.99	30.81	7.90	12.50
618 015 251 23	15	24.66	33.32	39.14	7.90	12.50
618 025 251 23	25	38.38	47.04	53.04	7.90	12.50
618 037 251 23	37	54.84	63.50	69.32	7.90	12.50



# WR-DSUB Male PCB Connector with Turned Contacts



**MATERIAL**

- Insulator material: Self extinguible thermoplastic
- Colour: White
- Contact material: Copper alloy
- Contact type: Turned
- Contact plating: Gold
- Shielding: Steel Tin plated
- Quality class: 2 as per IEC60 603-13

**ENVIRONMENTAL**

- Operating temperature: -55 °C up to 125 °C
- Flammability rating: UL94-V0
- Compliance: Lead free and RoHS

**ELECTRICAL**

- Current rating: 5 A
- Working voltage: 250 V<sub>AC</sub>
- Insulation resistance: >5000 MOhm
- Dielectric withstanding voltage: 1000 Vac/mn
- Contact resistance: 30 mOhm max

**SOLDERING**

- Solder temperature: JEDEC lead free wave soldering

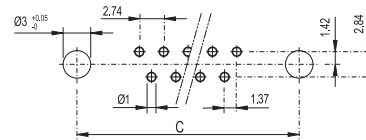
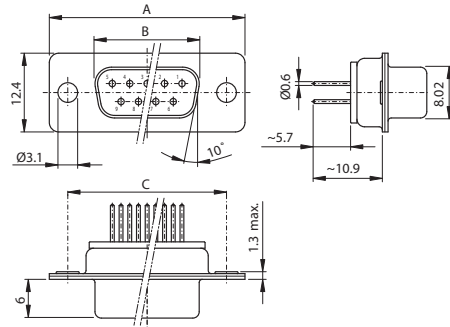
**PACKAGING**

- Tray

Order Code	Plns	A (mm)	B (mm)	C (mm)
518 009 250 11	9	30.80	16.92	25.00
518 015 250 11	15	39.20	25.25	33.30
518 025 250 11	25	53.10	38.96	47.00
518 037 250 11	37	69.50	55.42	63.50



# WR-DSUB Female PCB Connector with Turned Contacts



PCB LAYOUT - COMPONENT VIEW



**MATERIAL**

- Insulator material: Self extinguible thermoplastic
- Colour: White
- Contact material: Copper alloy
- Contact type: Turned
- Contact plating: Gold
- Shielding: Steel Tin plated
- Quality class: 2 as per IEC60 603-13

**ENVIRONMENTAL**

- Operating temperature: -55 °C up to 125 °C
- Flammability rating: UL94-V0
- Compliance: Lead free and RoHS

**ELECTRICAL**

- Current rating: 5 A
- Working voltage: 250 VAC
- Insulation resistance: >5000 MOhm
- Dielectric withstanding voltage: 1000 Vac/mn
- Contact resistance: 30 mOhm max

**SOLDERING**

- Solder temperature: JEDEC lead free wave soldering

**PACKAGING**

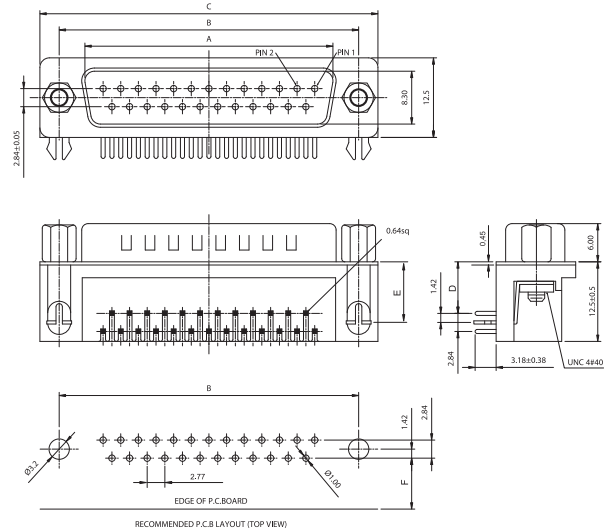
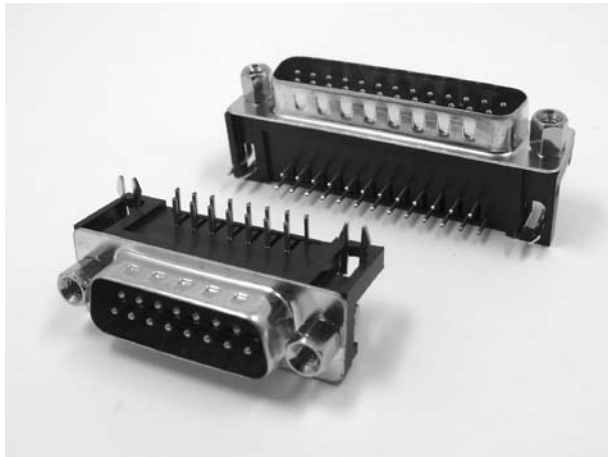
- Tray

Order Code	Plns	A (mm)	B (mm)	C (mm)
518 009 251 11	9	30.80	16.33	25.00
518 015 251 11	15	39.20	24.66	33.30
518 025 251 11	25	53.10	38.38	47.00
518 037 251 11	37	69.50	54.84	63.50



**NEW**

# WR-DSUB 8.08 & 10.30mm Male Angled PCB Connector with Hex Screw



**MATERIAL**

- Insulator material: PBT
- Colour: Black
- Contact material: Copper alloy
- Contact type: Stamped
- Contact plating: Gold
- Shielding: Steel Tin plated
- Quality class: 3 as per IEC60 603-13

**ENVIRONMENTAL**

- Operating temperature: -40 °C up to 85 °C
- Flammability rating: UL94-V0
- Compliance: Lead free and RoHS

**ELECTRICAL**

- Current rating: 3 A
- Working voltage: 250 VAC
- Insulation resistance: >5000 MOhm
- Dielectric withstanding voltage: 1000 Vac/mn
- Contact resistance: 30 mOhm max

**SOLDERING**

- Solder temperature: JEDEC lead free wave soldering

**PACKAGING**

- Tray

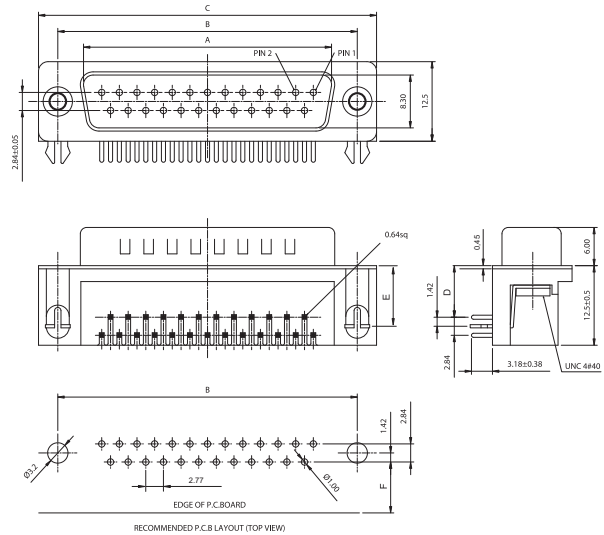
UNC 4-40 rivet and hex screw and board lock

Order Code	Pins	A (mm)	B (mm)	C (mm)	D (mm)	E (mm)	F (mm)
618 009 231 221	9	16.90	25.00	30.80	8.08	9.50	8.00 max
618 015 231 221	15	25.20	33.30	39.20			
618 025 231 221	25	38.60	47.10	53.10			
618 037 231 221	37	55.40	63.50	69.40			
618 009 231 421	9	16.92	25.00	30.80	10.30	11.72	10.20 max
618 015 231 421	15	25.20	33.30	39.20			
618 025 231 421	25	38.60	47.10	53.10			
618 037 231 421	37	55.40	63.50	69.40			



**NEW**

# WR-DSUB 8.08 & 10.30mm Male Angled PCB Connector without Hex Screw



**MATERIAL**

- Insulator material: PBT
- Colour: Black
- Contact material: Copper alloy
- Contact type: Stamped
- Contact plating: Gold
- Shielding: Steel Tin plated
- Quality class: 3 as per IEC60 603-13

**ENVIRONMENTAL**

- Operating temperature: -40 °C up to 85 °C
- Flammability rating: UL94-V0
- Compliance: Lead free and RoHS

**ELECTRICAL**

- Current rating: 3 A
- Working voltage: 250 VAC
- Insulation resistance: >5000 MOhm
- Dielectric withstanding voltage: 1000 Vac/mn
- Contact resistance: 30 mOhm max

**SOLDERING**

- Solder temperature: JEDEC lead free wave soldering

**PACKAGING**

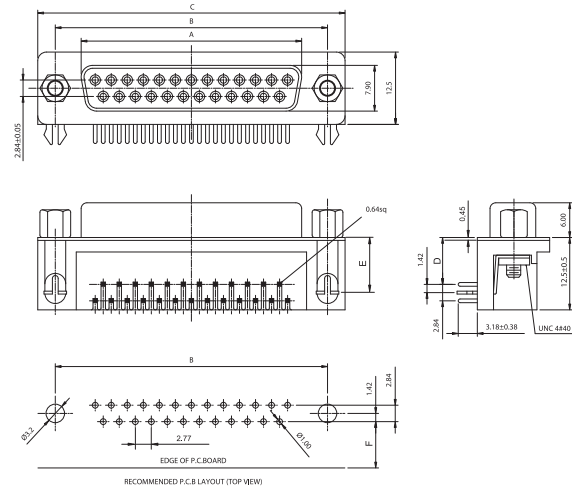
- Tray

UNC 4-40 rivet and board lock

Order Code	Pins	A (mm)	B (mm)	C (mm)	D (mm)	E (mm)	F (mm)
618 009 211 721	9	16.90	25.00	30.80	8.08	9.50	8.00 max
618 015 211 721	15	25.20	33.30	39.20			
618 025 211 721	25	38.60	47.10	53.10			
618 037 211 721	37	55.40	63.50	69.40	10.30	11.72	10.20 max
618 009 233 721	9	16.92	25.00	30.80			
618 015 233 721	15	25.20	33.30	39.20			
618 025 233 721	25	38.60	47.10	53.10			
618 037 233 721	37	55.40	63.50	69.40			



# WR-DSUB 8.08 & 10.30mm Female Angled PCB Connector with Hex Screw



**MATERIAL**

- Insulator material: PBT
- Colour: Black
- Contact material: Copper alloy
- Contact type: Stamped
- Contact plating: Gold
- Shielding: Steel Tin plated
- Quality class: 3 as per IEC60 603-13

**ENVIRONMENTAL**

- Operating temperature: -40 °C up to 85 °C
- Flammability rating: UL94-V0
- Compliance: Lead free and RoHS

**ELECTRICAL**

- Current rating: 3 A
- Working voltage: 250 VAC
- Insulation resistance: >5000 MOhm
- Dielectric withstanding voltage: 1000 Vac/mn
- Contact resistance: 30 mOhm max

**SOLDERING**

- Solder temperature: JEDEC lead free wave soldering

**PACKAGING**

- Tray

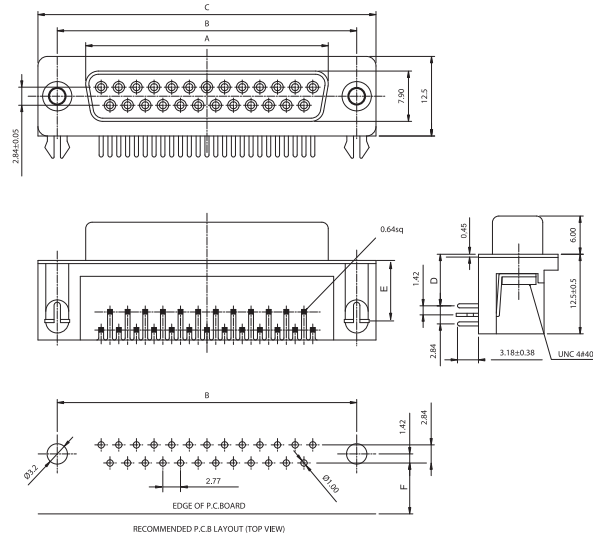
UNC 4-40 rivet and hex screw and board lock

Order Code	Pins	A (mm)	B (mm)	C (mm)	D (mm)	E (mm)	F (mm)
618 009 231 121	9	16.30	25.00	30.80	8.08	9.50	8.00 max
618 015 231 121	15	24.60	33.30	39.20			
618 025 231 121	25	38.30	47.10	53.10			
618 037 231 121	37	54.80	63.50	69.40			
618 009 231 321	9	16.30	25.00	30.80	10.30	11.72	10.20 max
618 015 231 321	15	24.60	33.30	39.20			
618 025 231 321	25	38.30	47.10	53.10			
618 037 231 321	37	54.80	63.50	69.40			



**NEW**

# WR-DSUB 8.08 & 10.30mm Female Angled PCB Connector without Hex Screw



**MATERIAL**

- Insulator material: PBT
- Colour: Black
- Contact material: Copper alloy
- Contact type: Stamped
- Contact plating: Gold
- Shielding: Steel Tin plated
- Quality class: 3 as per IEC60 603-13

**ENVIRONMENTAL**

- Operating temperature: -40 °C up to 85 °C
- Flammability rating: UL94-V0
- Compliance: Lead free and RoHS

**ELECTRICAL**

- Current rating: 3 A
- Working voltage: 250 VAC
- Insulation resistance: >5000 MOhm
- Dielectric withstanding voltage: 1000 Vac/mn
- Contact resistance: 30 mOhm max

**SOLDERING**

- Solder temperature: JEDEC lead free wave soldering

**PACKAGING**

- Tray

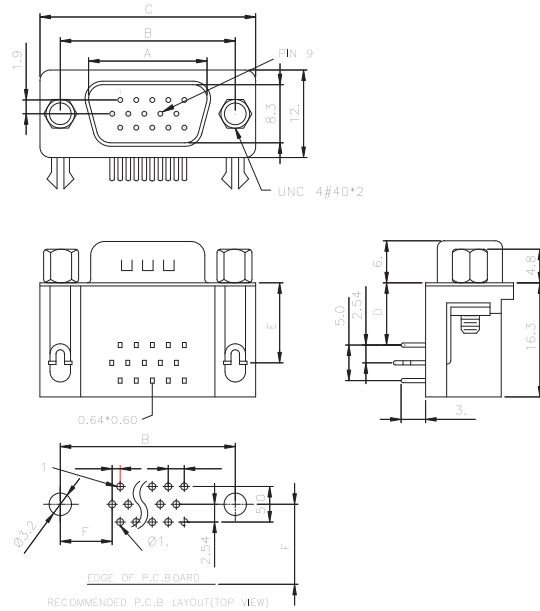
UNC 4-40 rivet and board lock

Order Code	Pins	A (mm)	B (mm)	C (mm)	D (mm)	E (mm)	F (mm)
618 009 211 821	9	16.30	25.00	30.80	8.08	9.50	8.00 max
618 015 211 821	15	24.60	33.30	39.20			
618 025 211 821	25	38.30	47.10	53.10			
618 037 211 821	37	54.80	63.50	69.40			
618 009 233 821	9	16.30	25.00	30.80	10.30	11.72	10.20 max
618 015 233 821	15	24.60	33.30	39.20			
618 025 233 821	25	38.30	47.10	53.10			
618 037 233 821	37	54.80	63.50	69.40			



**NEW**

# WR-DSUB Male High Density Angled PCB Connector with Hex Screw



**MATERIAL**

- Insulator material: PBT
- Colour: Black
- Contact material: Copper alloy
- Contact type: Stamped
- Contact plating: Gold
- Shielding: Steel Tin plated
- Quality class: 3 as per IEC60 603-13

**ENVIRONMENTAL**

- Operating temperature: -40 °C up to 85 °C
- Flammability rating: UL94-V0
- Compliance: Lead free and RoHS

**ELECTRICAL**

- Current rating: 3 A
- Working voltage: 125 VAC
- Insulation resistance: >5000 MOhm
- Dielectric withstanding voltage: 1000 Vac/mn
- Contact resistance: 30 mOhm max

**SOLDERING**

- Solder temperature: JEDEC lead free wave soldering

**PACKAGING**

- Tray

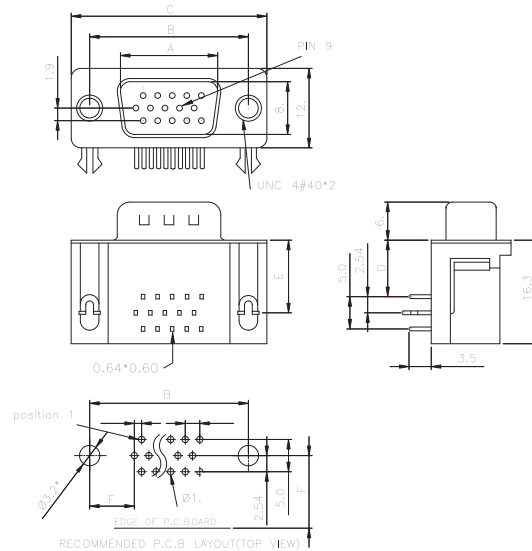
UNC 4-40 rivet and hex screw and board lock

Order Code	Pins	A (mm)	B (mm)	C (mm)	D (mm)	E (mm)	F (mm)
618 015 331 023	15	16.90	25.00	30.80	8.80	11.40	11.43 max
618 026 331 023	26	25.23	33.30	39.20			
618 044 331 023	44	39.00	47.10	53.10			
618 062 331 023	62	55.40	63.50	69.40			





# WR-DSUB Male High Density Angled PCB Connector without Hex Screw



**MATERIAL**

- Insulator material: PBT
- Colour: Black
- Contact material: Copper alloy
- Contact type: Stamped
- Contact plating: Gold
- Shielding: Steel Tin plated
- Quality class: 3 as per IEC60 603-13

**ENVIRONMENTAL**

- Operating temperature: -40 °C up to 85 °C
- Flammability rating: UL94-V0
- Compliance: Lead free and RoHS

**ELECTRICAL**

- Current rating: 3 A
- Working voltage: 125 VAC
- Insulation resistance: >5000 MOhm
- Dielectric withstanding voltage: 1000 Vac/mn
- Contact resistance: 30 mOhm max

**SOLDERING**

- Solder temperature: JEDEC lead free wave soldering

**PACKAGING**

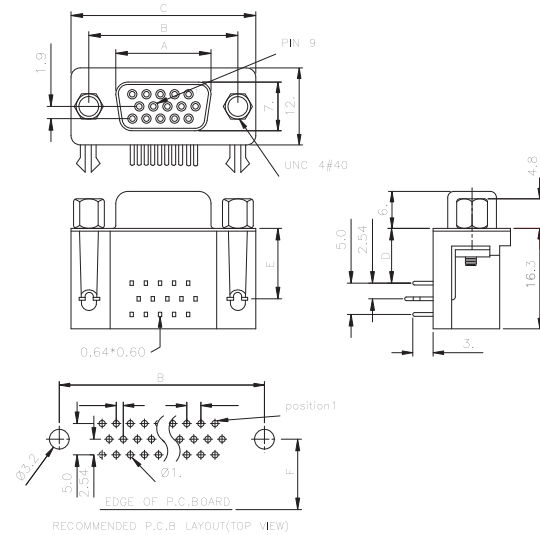
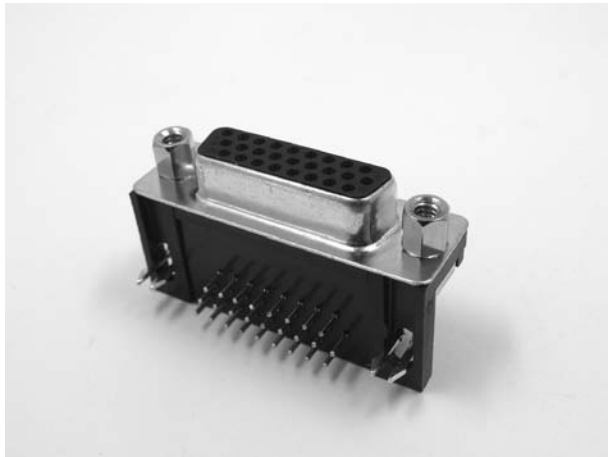
- Tray

UNC 4-40 rivet and board lock

Order Code	Pins	A (mm)	B (mm)	C (mm)	D (mm)	E (mm)	F (mm)
618 015 325 323	15	16.90	25.00	30.80	8.80	11.40	11.43 max
618 026 325 323	26	25.23	33.30	39.20			
618 044 325 323	44	39.00	47.10	53.10			
618 062 325 323	62	55.40	63.50	69.40			



# WR-DSUB Female High Density Angled PCB Connector with Hex Screw



### MATERIAL

- Insulator material: PBT
- Colour: Black
- Contact material: Copper alloy
- Contact type: Stamped
- Contact plating: Gold
- Shielding: Steel Tin plated
- Quality class: 3 as per IEC60 603-13

### ENVIRONMENTAL

- Operating temperature: -40 °C up to 85 °C
- Flammability rating: UL94-V0
- Compliance: Lead free and RoHS

### ELECTRICAL

- Current rating: 3 A
- Working voltage: 125 VAC
- Insulation resistance: >5000 MOhm
- Dielectric withstanding voltage: 1000 Vac/mn
- Contact resistance: 30 mOhm max

### SOLDERING

- Solder temperature: JEDEC lead free wave soldering

### PACKAGING

- Tray

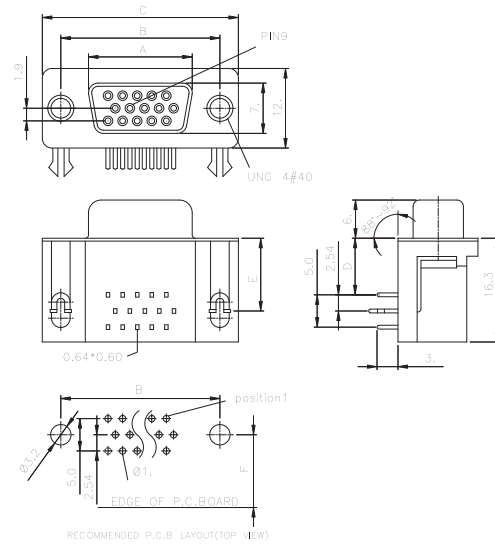
UNC 4-40 rivet and hex screw and board lock

Order Code	Pins	A (mm)	B (mm)	C (mm)	D (mm)	E (mm)	F (mm)
618 015 330 923	15	16.30	25.00	30.80	8.80	11.40	11.43 max
618 026 330 923	26	24.60	33.30	39.20			
618 044 330 923	44	38.30	47.10	53.10			
618 062 330 923	62	54.80	63.50	69.40			



**NEW**

# WR-DSUB Female High Density Angled PCB Connector without Hex Screw



**MATERIAL**

- Insulator material: PBT
- Colour: Black
- Contact material: Copper alloy
- Contact type: Stamped
- Contact plating: Gold
- Shielding: Steel Tin plated
- Quality class: 3 as per IEC60 603-13

**ENVIRONMENTAL**

- Operating temperature: -40 °C up to 85 °C
- Flammability rating: UL94-V0
- Compliance: Lead free and RoHS

**ELECTRICAL**

- Current rating: 3 A
- Working voltage: 125 VAC
- Insulation resistance: >5000 MOhm
- Dielectric withstanding voltage: 1000 Vac/mn
- Contact resistance: 30 mOhm max

**SOLDERING**

- Solder temperature: JEDEC lead free wave soldering

**PACKAGING**

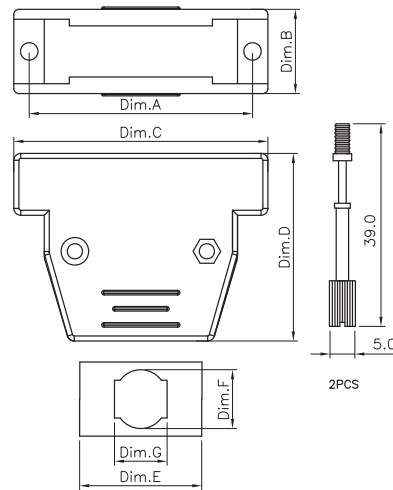
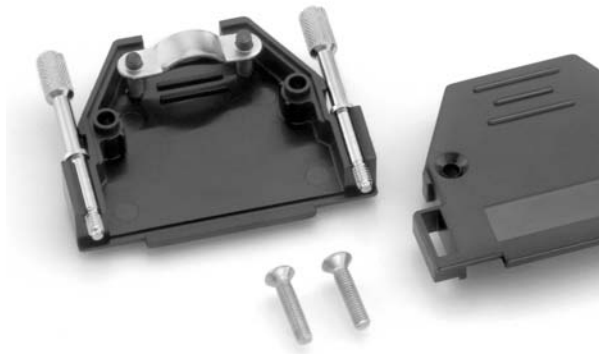
- Tray

UNC 4-40 rivet and board lock

Order Code	Pins	A (mm)	B (mm)	C (mm)	D (mm)	E (mm)	F (mm)
618 015 325 223	15	16.30	25.00	30.80	8.80	11.40	11.43 max
618 026 325 223	26	24.60	33.30	39.20			
618 044 325 223	44	38.30	47.10	53.10			
618 062 325 223	62	54.80	63.50	69.40			



# WR-DSUB Plastic Hood Top Entry 4-40 Screw



**MATERIAL**

- Insulator material:
- Colour:
- Screws:

Thermoplastic  
Black  
UNC 4-40

**ENVIRONMENTAL**

- Flammability rating
- Compliance:

UL94-V0  
Lead free and RoHS

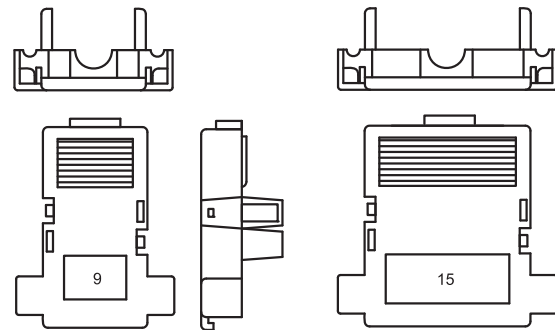
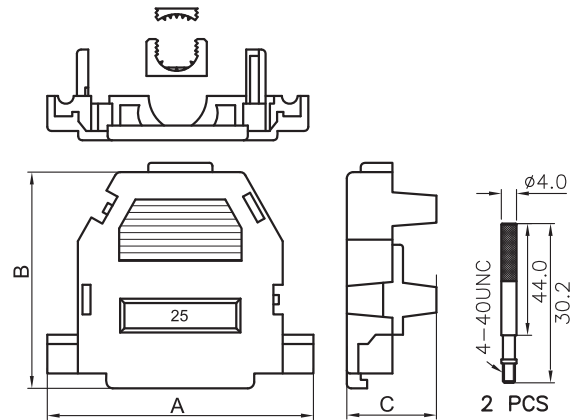
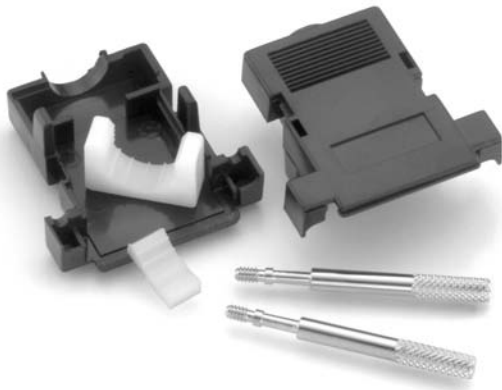
**PACKAGING**

- Bag

Order Code	Plns	A (mm)	B (mm)	C (mm)	D (mm)	E (mm)	F (mm)	G (mm)
618 009 253 22	9	25.00	18.00	31.30	29.80	14.30	9.20	11.90
618 015 253 22	15	33.50	18.00	43.20	37.10	18.00	10.40	12.80
618 025 253 22	25	47.00	18.20	55.30	41.00	25.00	11.20	14.00
618 037 253 22	37	63.50	18.20	70.50	48.00	33.00	14.00	15.80



# WR-DSUB Plastic Hood Small Top Entry 4-40 Screw



**MATERIAL**

- Insulator material:
- Colour:
- Screws:

Thermoplastic  
Black  
UNC 4-40

**ENVIRONMENTAL**

- Flammability rating
- Compliance:

UL94-V0  
Lead free and RoHS

**PACKAGING**

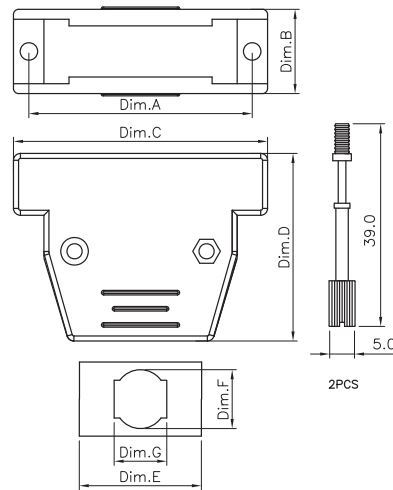
- Bag

Order Code	Pins	A (mm)	B (mm)	C (mm)
618 009 214 622	9	30.00	39.00	15.50
618 015 214 622	15	39.00	27.30	15.80
618 025 214 622	25	53.50	42.00	17.00



**NEW**

## WR-DSUB Metalized Plastic Hood Top Entry 4-40 Screw



**MATERIAL**

- Insulator material:
- Color:

Abs resin metalized  
Chromate clair

**ENVIRONMENTAL**

- Flammability rating
- Compliance:

UL94-V0  
Lead free and RoHS

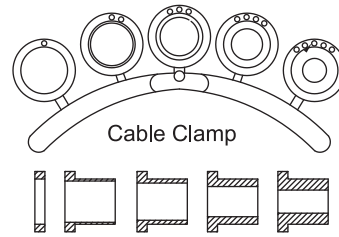
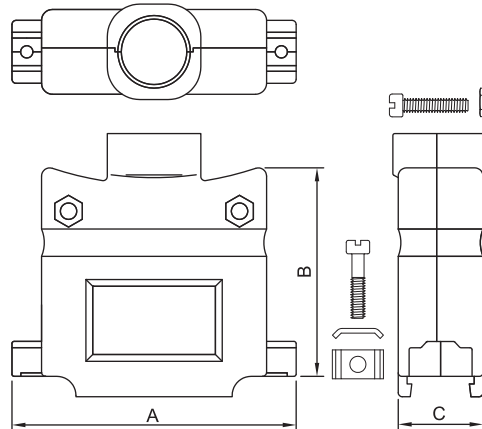
**PACKAGING**

- Bag

Order Code	Pins	A (mm)	B (mm)	C (mm)	D (mm)	E (mm)	F (mm)	G (mm)
618 009 253 11	9	25.00	18.00	31.30	29.80	14.30	9.20	11.90
618 015 253 11	15	33.50	18.00	43.20	37.10	18.00	10.40	12.80
618 025 253 11	25	47.00	18.20	55.30	41.00	25.00	11.20	14.00
618 037 253 11	37	63.50	18.20	70.50	48.00	33.00	14.00	15.80



# WR-DSUB Metal Hood Top Entry 4-40 Screw



**MATERIAL**

- Cover material:
- Cover finished:
- Compression insert material:
- Colour:
- Cable diameter:
- Screws:

Zinc Alloy  
 Zinc plated  
 Thermoplastic  
 Metal  
 4 to 13 mm  
 UNC 4-40

**ENVIRONMENTAL**

- Operating temperature: -40 up to 125 °C
- EMI att. better than: 40 dB over range 10 MHz to 1 GHz
- Compliance: Lead free and RoHS

**PACKAGING**

- Bag

Order Code	Plns	A (mm)	B (mm)	C (mm)	Cable Diameter (mm)
418 009 279 11	9	31.12	37.21	15.75	5.3 to 8
418 015 279 11	15	39.11	40.64	15.75	5.3 to 8
418 025 279 11	25	53.08	39.37	17.52	6 to 11.4
418 037 279 11	37	69.34	45.72	21.94	9 to 16.5



Notes:





Notes:



Notes: