

## Fibox customer service

### Fibox Oy Ab

Keilaranta 19, 02150 Espoo, Finland  
Tel. +358 207 785 700, Fax +358 207 785 702  
E-mail: info@fibox.fi

### Fibox AB

Enhags slingan 3, 187 40 Täby, Sweden  
Tel. +46 8 792 2670, Fax +46 8 792 0164  
E-mail: info@fibox.se

### Fibox A/S

Kuldysen 13, 2630 Taastrup, Denmark  
Tel. +45 4371 8055, Fax +45 4371 8035  
E-mail: fibox@fibox.dk

### Fibox Ltd.

Suite 25, Durham Tees Valley Business Centre,  
Primrose Hill Industrial Estate, Orde Wingate Way,  
Stockton on Tees, TS19 0GD, England  
Tel. +44 1642 604 400, Fax +44 1642 604 600  
E-mail: projects@fibox.co.uk

### Fibox France Sarl

28 Rue Paul Henri Spaak, Parc de l'Esplanade,  
77400 Saint Thibault des Vignes, France  
Tel. +33 1 6021 1717, Fax +33 1 6021 1718  
E-mail: service.client@fibox.fr

### Fibox GmbH

Rehwinkel 30, 32457 Porta Westfalica, Germany  
Tel. +49 5731 86946 0, Fax +49 5731 86946 50  
E-mail: info@fibox.de

### Fibox LLC

Office B 21, 54 B Shpalernaya st.  
St. Petersburg, 191015 Russia  
Tel. +7 911 0202102  
E-mail: dmitri.dorokhov@fibox.ru

### Fibox New Delhi Office

A-26/4, Mohan Co-operative Industrial Estate,  
Mathura Road, New Delhi 110044, India  
Tel. +91 11 40528297, 40528298  
Fax +91 11 40512481  
E-mail: tyronne.cubbins@fibox.co.in

### FIBOX Japan Office

Zip# 542-0081 303, Daiwa building, 2-4-19,  
Minamisenba, Chuo-Ku, Osaka, 542-0081, 303 Daiwa, Japan  
Tel. +81 6 4963 3752, Fax +81 6 4963 3762  
E-mail: m.takeda@fibox.co.jp

### Fibox Benelux

Postbus 350, 7570 AJ Oldenzaal, The Netherlands  
Tel. +31 541 539039, Fax +31 541 533399  
E-mail: info@fibox.nl

### Fibox (Schweiz) GmbH

Industriezone C, Längfeldweg 97  
2504 Biel-Bienne, Switzerland  
Tel. +41 55 617 20 80, Fax +41 55 617 20 89  
E-mail: info@fibox.ch

### Fibox Sp.z o.o.

ul. Dzieciota 19, 04-988 Warsaw, Poland  
Tel. +48 22 872 94 98, Fax +48 22 872 96 98  
E-mail: info@fibox.pl

### Fibox Inc.

810 Cromwell Park Drive Suite R, Glen Burnie, MD 21061, USA  
Tel. +1 410 760 9696, Fax +1 410 760 8686  
E-mail: sales@fiboxusa.com

### Fibox Shanghai Ltd

Room 401-402, Building 3, NO. 188 xinjunhuan Rd,  
Pujiang high-tech Park Caohejing Development Zone,  
Shanghai 201114, P.C.R  
Tel. +86 21 64959922, Fax +86 21 64959667  
Email: info@fibox.cn

### Fibox (Guangzhou) Engineering Plastic Co. Ltd

No.36 Dong-Peng-Da-Dao, Fibox Road  
Guangzhou Economic & Technological Development District,  
Guangdong, P.R.C  
Tel. +86 20 3206 7660, Fax +86 20 3206 7661

### Fibox Ltd (Korea)

11-25, Songdo-dong  
Yeonsu-gu, Incheon, Republic of Korea  
Tel. +82 32 814 6742, Fax +82 32 814 6077  
E-mail: sales@fibox.co.kr

# Contents

## Plastic Cable Glands & Accessories

Standard Series	pg.	4 - 8
Cable Protection Series	pg.	9
Lock Nuts	pg.	10 - 11
Round Blind Stops	pg.	12
Hexagonal Blind Stops	pg.	13
Protection Tabs	pg.	14

## Metal Cable Glands & Accessories

Standard Series	pg.	16 - 19
Big Size Cable Glands	pg.	20
EMC2 Cable Glands (Intro)	pg.	21
EMC2 Series	pg.	22 - 23
EMC4 Series	pg.	24 - 26
Stainless Steel Glands	pg.	27
Lock Nuts	pg.	28 - 29
Enlargers	pg.	30
Reducers	pg.	31

## Ventilation Products

Ventilation Plugs	pg.	33 - 34
Ventilation Glands	pg.	35 - 36
Flat Cable Seals	pg.	37
Multihole Seals	pg.	38 - 39

## Fibox Cable Glands product offering:

- Cable fitting elements; plastic and metallic Cable Glands
- Cable Gland accessories including cable protection, lock nuts and blind stops
- Pressure Balance Elements and Ventilation Plugs



# Plastic Cable Glands & Accessories

## Plastic Cable Glands & Accessories

- Easy to assemble and handle
- High quality strain relief
- Liquid tight
- Wide clamping range
- Multipurpose application



# Standard Series Metric Thread Cable Glands

Liquid tight, easy to assemble, good strain relief, wide clamping range, multipurpose applications, easy handling.



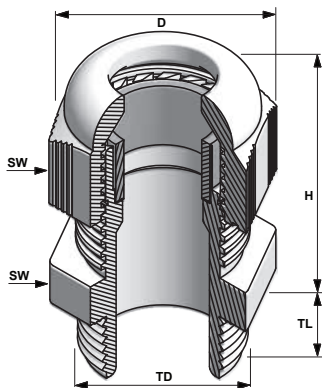
## Technical Details

Flammability : UL 94 V2  
 Material : Polyamide 6  
 Protection Class : IP 68 - 5 Bar  
 Oper. Temperature : -20°C to +80°C permanent  
 : -30°C up to +150°C intermittent  
 Seal : Chloroprene Rubber

## Manufactured according to the requirements of EN 50262

Attachment Thread : EN 60423

Ral 7035				Ral 9005		
Size	Type	Code	EAN	Type	Code	EAN
M12x1,5	GPAB M12	7017400	6418074043474	GPAB M12 9005	7017138	6418074074430
M16x1,5	GPAB M16	7017401	6418074043481	GPAB M16 9005	7017715	6418074045744
M16x1,5	GPAB M16L	7017534	6418074044730	GPAB M16L 9005	7017139	6418074074447
M20x1,5	GPAB M20S	7017402	6418074043498	GPAB M20S 9005	7017140	6418074074454
M20x1,5	GPAB M20SL	7017535	6418074044747	GPAB M20SL 9005	7017141	6418074074461
M20x1,5	GPAB M20	7017709	6418074045683	GPAB M20 9005	7017142	6418074074478
M20x1,5	GPAB M20L	7017710	6418074045690	GPAB M20L 9005	7017143	6418074074485
M25x1,5	GPAB M25	7017711	6418074045706	GPAB M25 9005	7017144	6418074074492
M25x1,5	GPAB M25L	7017712	6418074045713	GPAB M25L 9005	7017716	6418074045751
M32x1,5	GPAB M32	7017713	6418074045720	GPAB M32 9005	7017145	6418074074508
M40x1,5	GPAB M40	7017714	6418074045737	GPAB M40 9005	7017146	6418074074515
M50x1,5	GPAB M50	7017100	6418074070555	GPAB M50 9005	7017147	6418074074522
M63x1,5	GPAB M63	7017101	6418074070567	GPAB M63 9005	7017717	6418074045768
<b>Glands With Reducing Sealing</b>						
M12x1,5	GPAB M12R	7017678	6418074045386	GPAB M12R 9005	7017148	6418074074539
M16x1,5	GPAB M16R	7017673	6418074045331	GPAB M16R 9005	7017679	6418074045393
M16x1,5	GPAB M16RL	7017130	6418074074355	GPAB M16RL 9005	7017149	6418074074546
M20x1,5	GPAB M20RS	7017674	6418074045348	GPAB M20RS 9005	7017680	6418074045409
M20x1,5	GPAB M20RSL	7017675	6418074045355	GPAB M20RSL 9005	7017150	6418074074553
M20x1,5	GPAB M20R	7017131	6418074074362	GPAB M20R 9005	7017151	6418074074560
M20x1,5	GPAB M20RL	7017132	6418074074379	GPAB M20RL 9005	7017152	6418074074577
M25x1,5	GPAB M25R	7017676	6418074045362	GPAB M25R 9005	7017681	6418074045416
M25x1,5	GPAB M25RL	7017133	6418074074386	GPAB M25RL 9005	7017153	6418074074584
M32x1,5	GPAB M32R	7017134	6418074074393	GPAB M32R 9005	7017154	6418074074591
M40x1,5	GPAB M40R	7017135	6418074074409	GPAB M40R 9005	7017155	6418074074607
M50x1,5	GPAB M50R	7017136	6418074074416	GPAB M50R 9005	7017156	6418074074614
M63x1,5	GPAB M63R	7017137	6418074074423	GPAB M63R 9005	7017157	6418074074621



Technical Information							
Size	TD mm	TL mm	SW mm	Max. H mm	D mm	Clamping Range Ø min-max mm	Pack qty
M12x1,5	12	8	15	22	17,1	3,0 - 6,5	100
M16x1,5	16	10	22	28	25,0	5,0 - 10,0	50
M16x1,5	16	15	22	28	25,0	5,0 - 10,0	50
M20x1,5	20	10	24	29	27,8	6,0 - 12,0	50
M20x1,5	20	15	24	29	27,8	6,0 - 12,0	50
M20x1,5	20	10	27	31	30,8	10,0 - 14,0	50
M20x1,5	20	15	27	31	30,8	10,0 - 14,0	50
M25x1,5	25	10	33	35	37,8	13,0 - 18,0	25
M25x1,5	25	15	33	35	37,8	13,0 - 18,0	25
M32x1,5	32	18	42	40	48,0	18,0 - 25,0	20
M40x1,5	40	18	53	49	60,0	22,0 - 32,0	10
M50x1,5	50	18	60	49	67,7	30,0 - 38,0	10
M63x1,5	63	18	65	49	72,2	34,0 - 44,0	10
<b>Glands With Reducing Sealing</b>							
M12x1,5	12	8	15	22	17,1	2,0 - 5,0	100
M16x1,5	16	10	22	28	25,0	3,0 - 7,0	50
M16x1,5	16	15	22	28	25,0	3,0 - 7,0	50
M20x1,5	20	10	24	29	27,8	5,0 - 9,0	50
M20x1,5	20	15	24	29	27,8	5,0 - 9,0	50
M20x1,5	20	10	27	31	30,8	7,0 - 12,0	50
M20x1,5	20	15	27	31	30,8	7,0 - 12,0	50
M25x1,5	25	10	33	35	37,8	9,0 - 16,0	25
M25x1,5	25	15	33	35	37,8	9,0 - 16,0	25
M32x1,5	32	18	42	40	48,0	12,0 - 20,0	20
M40x1,5	40	18	53	49	60,0	20,0 - 26,0	10
M50x1,5	50	18	60	49	67,7	25,0 - 31,0	10
M63x1,5	63	18	65	49	72,2	29,0 - 35,0	10

# Standard Series Euro Metric Cable Glands

Liquid tight, easy to assemble, good strain relief, wide clamping range, multipurpose applications, easy handling.



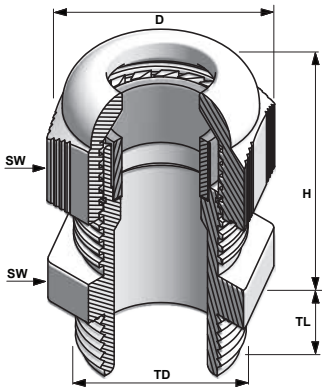
## Technical Details

Flammability	: UL 94 V2
Material	: Polyamide 6
Protection Class	: IP 68 - 5 Bar
Oper. Temperature	: -20°C to +80°C permanent : -30°C up to +150°C intermittent
Seal	: Chloroprene Rubber

## Manufactured according to the requirements of EN 50262

Attachment Thread : EN 60423

Size	Type	Ral 7035		Ral 9005		
		Code	EAN	Type	Code	EAN
M12x1,5	GPAB M12E	7017836	6418074046956	GPAB M12E 9005	7017841	6418074047007
M16x1,5	GPAB M16E	7017821	6418074046802	GPAB M16E 9005	7017839	6418074046987
M20x1,5	GPAB M20E	7017824	6418074046833	GPAB M20E 9005	7017158	6418074074638
M25x1,5	GPAB M25E	7017403	6418074043504	GPAB M25E 9005	7017159	6418074074645
M32x1,5	GPAB M32E	7017404	6418074043511	GPAB M32E 9005	7017840	6418074046994
M40x1,5	GPAB M40E	7017405	6418074043528	GPAB M40E 9005	7017160	6418074074652
M50x1,5	GPAB M50E	7017832	6418074046918	GPAB M50E 9005	7017161	6418074074669
M63x1,5	GPAB M63E	7017834	6418074046932	GPAB M63E 9005	7017162	6418074074676



Technical Information							
Size	TD mm	TL mm	SW mm	Max. H mm	D mm	Clamping Range Ø min-max mm	Pack qty
M12x1,5	12	6	15	22	17,1	3,0 - 6,5	100
M16x1,5	16	8	19	25	21,6	4,0 - 8,0	50
M20x1,5	20	10	24	29	27,8	6,0 - 12,0	50
M25x1,5	25	8	29	33	33,5	11,0 - 17,0	50
M32x1,5	32	10	36	39	40,9	15,0 - 21,0	25
M40x1,5	40	10	46	44	52,0	19,0 - 28,0	20
M50x1,5	50	18	60	49	67,7	30,0 - 38,0	10
M63x1,5	63	18	65	49	72,2	34,0 - 44,0	10

# Standard Series Pg Thread Cable Glands

Liquid tight, easy to assemble, good strain relief, wide clamping range, multipurpose applications, easy handling.



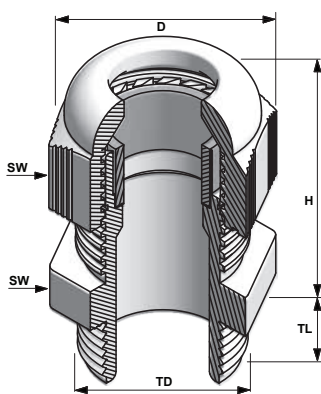
## Technical Details

Flammability : UL 94 V2  
 Material : Polyamide 6  
 Protection Class : IP 68 - 5 Bar  
 Oper. Temperature : -20°C to +80°C permanent  
 : -30°C up to +150°C intermittent  
 Seal : Chloroprene Rubber

## Manufactured according to the requirements of EN 50262

Attachment Thread : DIN 40430

Ral 7035				Ral 9005		
Size	Type	Code	EAN	Type	Code	EAN
Pg7	GPAB PG7	7017416	6418074044808	GPAB PG7 9005	7017891	6418074047502
Pg9	GPAB PG9	7017417	6418074044815	GPAB PG9 9005	7017892	6418074047519
Pg11	GPAB PG11	7017418	6418074044822	GPAB PG11 9005	7017893	6418074047526
Pg13,5	GPAB PG13.5	7017419	6418074044839	GPAB PG13.5 9005	7017894	6418074047533
Pg16	GPAB PG16	7017420	6418074044846	GPAB PG16 9005	7017895	6418074047540
Pg21	GPAB PG21	7017421	6418074044853	GPAB PG21 9005	7017896	6418074047557
Pg29	GPAB PG29	7017422	6418074044860	GPAB PG29 9005	7017173	6418074074782
Pg36	GPAB PG36	7017423	6418074044877	GPAB PG36 9005	7017174	6418074074799
Pg42	GPAB PG42	7017424	6418074044884	GPAB PG42 9005	7017175	6418074074805
Pg48	GPAB PG48	7017425	6418074044891	GPAB PG48 9005	7017176	6418074074812
Glands With Reducing Sealing						
Pg7	GPAB PG7R	7017163	6418074074683	GPAB PG7R 9005	7017177	6418074074829
Pg9	GPAB PG9R	7017164	6418074074690	GPAB PG9R 9005	7017178	6418074074836
Pg11	GPAB PG11R	7017165	6418074074706	GPAB PG11R 9005	7017970	6418074048295
Pg13,5	GPAB PG13.5R	7017166	6418074074713	GPAB PG13.5R 9005	7017179	6418074074843
Pg16	GPAB PG16R	7017167	6418074074720	GPAB PG16R 9005	7017180	6418074074850
Pg21	GPAB PG21R	7017168	6418074074737	GPAB PG21R 9005	7017181	6418074074867
Pg29	GPAB PG29R	7017169	6418074074744	GPAB PG29R 9005	7017182	6418074074874
Pg36	GPAB PG36R	7017170	6418074074751	GPAB PG36R 9005	7017183	6418074074881
Pg42	GPAB PG42R	7017171	6418074074768	GPAB PG42R 9005	7017184	6418074074898
Pg48	GPAB PG48R	7017172	6418074074775	GPAB PG48R 9005	7017185	6418074074904



Technical Information							
Size	TD mm	TL mm	SW mm	Max. H mm	D mm	Clamping Range Ø min-max mm	Pack qty
Pg7	12,5	8	15	22	17,1	3,0 - 6,5	100
Pg9	15,2	8	19	25	21,6	4,0 - 8,0	50
Pg11	18,6	8	22	28	25,0	5,0 - 10,0	50
Pg13,5	20,4	9	24	29	27,8	6,0 - 12,0	50
Pg16	22,5	10	27	31	30,8	10,0 - 14,0	50
Pg21	28,3	11	33	35	37,8	13,0 - 18,0	25
Pg29	37,0	11	42	40	48,0	18,0 - 25,0	20
Pg36	47,0	13	53	49	60,0	22,0 - 32,0	10
Pg42	54,0	13	60	49	67,7	30,0 - 38,0	10
Pg48	59,3	14	65	49	72,2	34,0 - 44,0	10
Glands With Reducing Sealing							
Pg7	12,5	8	15	22	17,1	2,0 - 5,0	100
Pg9	15,2	8	19	25	21,6	2,0 - 6,0	50
Pg11	18,6	8	22	28	25,0	3,0 - 7,0	50
Pg13,5	20,4	9	24	29	27,8	5,0 - 9,0	50
Pg16	22,5	10	27	31	30,8	7,0 - 12,0	50
Pg21	28,3	11	33	35	37,8	9,0 - 16,0	25
Pg29	37,0	11	42	40	48,0	12,0 - 20,0	20
Pg36	47,0	13	53	49	60,0	20,0 - 26,0	10
Pg42	54,0	13	60	49	67,7	25,0 - 31,0	10
Pg48	59,3	14	65	49	72,2	29,0 - 35,0	10

# Standard Series Npt Thread Cable Glands

Liquid tight, easy to assemble, good strain relief, wide clamping range, multipurpose applications, easy handling.



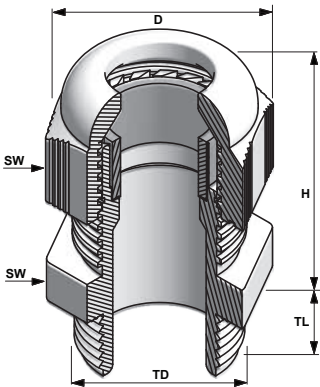
## Technical Details

Flammability	: UL 94 V2
Material	: Polyamide 6
Protection Class	: IP 68 - 5 Bar
Oper. Temperature	: -20°C to +80°C permanent : -30°C up to +150°C intermittent
Seal	: Chloroprene Rubber

## Manufactured according to the requirements of EN 50262

Attachment Thread : ANSI B1.20.1

Ral 7035				Ral 9005		
Size	Type	Code	EAN	Type	Code	EAN
NPT3/8"	GPAB NPT3/8	7017200	6418074042996	GPAB NPT3/8 9005	7017210	6418074043092
NPT1/2"	GPAB NPT1/2	7017201	6418074043009	GPAB NPT1/2 9005	7017211	6418074043108
NPT1/2"	GPAB NPT1/2S	7017202	6418074043016	GPAB NPT1/2S 9005	7017212	6418074043115
NPT3/4"	GPAB NPT3/4	7017203	6418074043023	GPAB NPT3/4 9005	7017213	6418074043122
NPT1"	GPAB NPT1	7017204	6418074043030	GPAB NPT1 9005	7017214	6418074043139
<b>Glands With Reducing Sealing</b>						
NPT3/8"	GPAB NPT3/8R	7017205	6418074043047	GPAB NPT3/8R 9005	7017226	6418074043252
NPT1/2"	GPAB NPT1/2R	7017206	6418074043054	GPAB NPT1/2R 9005	7017228	6418074043276
NPT1/2"	GPAB NPT1/2RS	7017207	6418074043061	GPAB NPT1/2RS 9005	7017229	6418074043283
NPT3/4"	GPAB NPT3/4R	7017208	6418074043078	GPAB NPT3/4R 9005	7017414	6418074043610
NPT1"	GPAB NPT1R	7017209	6418074043085	GPAB NPT1R 9005	7017415	6418074043627



Technical Information							
Size	TD mm	TL mm	SW mm	Max. H mm	D mm	Clamping Range Ø min-max mm	Pack qty
NPT3/8"	17	15	22	28	25,0	5,0 - 10,0	50
NPT1/2"	21	15	24	29	27,8	6,0 - 12,0	50
NPT1/2"	21	15	27	31	30,8	10,0 - 14,0	50
NPT3/4"	26	15	33	35	37,8	13,0 - 18,0	25
NPT1"	32	18	42	40	48,0	18,0 - 25,0	20
<b>Glands With Reducing Sealing</b>							
NPT3/8"	17	15	22	28	25,0	3,0 - 7,0	50
NPT1/2"	21	15	24	29	27,8	5,0 - 9,0	50
NPT1/2"	21	15	27	31	30,8	7,0 - 12,0	50
NPT3/4"	26	15	33	35	37,8	9,0 - 16,0	25
NPT1"	32	18	42	40	48,0	12,0 - 20,0	20



# Cable Protection Series Metric Thread Cable Glands

Offers additional security against conductor damage especially in moving machine parts.



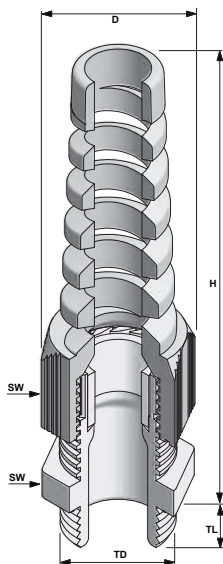
## Technical Details

Flammability : UL 94 V2  
 Material : Polyamide 6  
 Protection Class : IP 68 - 5 Bar  
 Oper. Temperature : -20°C to +80°C permanent  
 : -30°C up to +150°C intermittent  
 Seal : Chloroprene Rubber

## Manufactured according to the requirements of EN 50262

Attachment Thread : EN 60423

Ral 7035				Ral 9005		
Size	Type	Code	EAN	Type	Code	EAN
M12x1,5	GBP B M12	7017436	6418074043832	GBP B M12 9005	7017479	6418074044181
M16x1,5	GBP B M16	7017437	6418074043849	GBP B M16 9005	7017851	6418074047106
M16x1,5	GBP B M16L	7017438	6418074043856	GBP B M16L 9005	7017480	6418074044198
M20x1,5	GBP B M20	7017850	6418074047090	GBP B M20 9005	7017481	6418074044204
M20x1,5	GBP B M20L	7017439	6418074043863	GBP B M20L 9005	7017482	6418074044211
M20x1,5	GBP B M20S	7017440	6418074043870	GBP B M20S 9005	7017483	6418074044228
M20x1,5	GBP B M20SL	7017441	6418074043887	GBP B M20SL 9005	7017484	6418074044235
M25x1,5	GBP B M25	7017442	6418074043894	GBP B M25 9005	7017485	6418074044242
M25x1,5	GBP B M25L	7017443	6418074043900	GBP B M25L 9005	7017486	6418074044259
<b>Glands With Reducing Sealing</b>						
M12x1,5	GBP B M12R	7017472	6418074044112	GBP B M12R 9005	7017487	6418074044266
M16x1,5	GBP B M16R	7017473	6418074044129	GBP B M16R 9005	7017488	6418074044273
M16x1,5	GBP B M16RL	7017474	6418074044136	GBP B M16RL 9005	7017489	6418074044280
M20x1,5	GBP B M20R	7017475	6418074044143	GBP B M20R 9005	7017490	6418074044297
M20x1,5	GBP B M20RL	7017476	6418074044150	GBP B M20RL 9005	7017491	6418074044303
M20x1,5	GBP B M20RS	7017477	6418074044167	GBP B M20RS 9005	7017492	6418074044310
M20x1,5	GBP B M20RSL	7017478	6418074044174	GBP B M20RSL 9005	7017493	6418074044327
M25x1,5	GBP B M25R	7017406	6418074043535	GBP B M25R 9005	7017494	6418074044334
M25x1,5	GBP B M25RL	7017407	6418074043542	GBP B M25RL 9005	7017495	6418074044341



Technical Information							
Size	TD mm	TL mm	SW mm	Max. H mm	D mm	Clamping Range Ø min-max mm	Pack qty
M12x1,5	12	8	15	55	17,1	3,0 - 6,5	100
M16x1,5	16	10	22	79	25,0	5,0 - 10,0	50
M16x1,5	16	15	22	79	25,0	5,0 - 10,0	50
M20x1,5	20	10	24	95	27,8	6,0 - 12,0	50
M20x1,5	20	15	24	95	27,8	6,0 - 12,0	50
M20x1,5	20	10	27	105	30,8	10,0 - 14,0	50
M20x1,5	20	15	27	105	30,8	10,0 - 14,0	50
M25x1,5	25	10	33	118	37,8	13,0 - 18,0	25
M25x1,5	25	15	33	118	37,8	13,0 - 18,0	25
<b>Glands With Reducing Sealing</b>							
M12x1,5	12	8	15	55	17,1	2,0 - 5,0	100
M16x1,5	16	10	22	79	25,0	3,0 - 7,0	50
M16x1,5	16	15	22	79	25,0	3,0 - 7,0	50
M20x1,5	20	10	24	95	27,8	5,0 - 9,0	50
M20x1,5	20	15	24	95	27,8	5,0 - 9,0	50
M20x1,5	20	10	27	105	30,8	7,0 - 12,0	50
M20x1,5	20	15	27	105	30,8	7,0 - 12,0	50
M25x1,5	25	10	33	118	37,8	9,0 - 14,0	25
M25x1,5	25	15	33	118	37,8	9,0 - 14,0	25

# Lock Nuts (Flanged)

Hexagonal lock nuts made of polyamide, glass fibre reinforced.

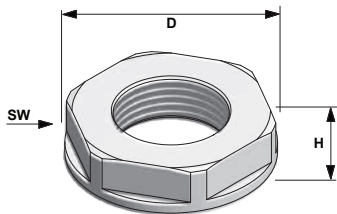


## Technical Details

Flammability : UL 94 HB  
Material : Polyamide 6, 30% Glass Fibre Reinforced

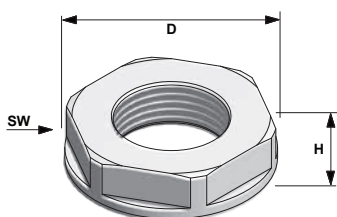
Manufactured according to the requirements of DIN 46320

Ral 7035				Ral 9005			
Size	Type	Code	EAN	Type	Code	EAN	
<b>Metric Thread (Attachment thread: EN 60423)</b>							
M12x1,5	GPAB M12BF	7017122	6418074074270	GPAB M12BF 9005	7017844	6418074047038	
M16x1,5	GPAB M16BF	7017123	6418074074287	GPAB M16BF 9005	7017550	6418074043726	
M20x1,5	GPAB M20BF	7017124	6418074074294	GPAB M20BF 9005	7017587	6418074044907	
M25x1,5	GPAB M25BF	7017125	6418074074300	GPAB M25BF 9005	7017588	6418074044914	
M32x1,5	GPAB M32BF	7017126	6418074074317	GPAB M32BF 9005	7017589	6418074044921	
M40x1,5	GPAB M40BF	7017127	6418074074324	GPAB M40BF 9005	7017590	6418074044938	
M50x1,5	GPAB M50BF	7017128	6418074074331	GPAB M50BF 9005	7017591	6418074044945	
M63x1,5	GPAB M63BF	7017129	6418074074348	GPAB M63BF 9005	7017592	6418074044952	



Technical Information				
Size	H mm	SW mm	D mm	Pack qty
<b>Metric Thread (Attachment thread: EN 60423)</b>				
M12x1,5	5	18	19,5	100
M16x1,5	5	22	24,2	50
M20x1,5	6	26	28,6	50
M25x1,5	6	32	35,0	50
M32x1,5	7	41	46,1	25
M40x1,5	7	50	55,3	10
M50x1,5	8	60	66,1	10
M63x1,5	8	75	82,5	10

Ral 7035				Ral 9005			
Size	Type	Code	EAN	Type	Code	EAN	
<b>Pg Thread (Attachment thread: DIN 40430)</b>							
Pg7	GPAB PG7BF	7017186	6418074074911	GPAB PG7BF 9005	7017536	6418074044754	
Pg9	GPAB PG9BF	7017187	6418074074928	GPAB PG9BF 9005	7017537	6418074044761	
Pg11	GPAB PG11BF	7017188	6418074074935	GPAB PG11BF 9005	7017538	6418074044778	
Pg13,5	GPAB PG13.5BF	7017189	6418074074942	GPAB PG13.5BF 9005	7017539	6418074044785	
Pg16	GPAB PG16BF	7017190	6418074074959	GPAB PG16BF 9005	7017540	6418074044792	
Pg21	GPAB PG21BF	7017191	6418074074966	GPAB PG21BF 9005	7017541	6418074043634	
Pg29	GPAB PG29BF	7017192	6418074074973	GPAB PG29BF 9005	7017542	6418074043641	
Pg36	GPAB PG36BF	7017193	6418074074980	GPAB PG36BF 9005	7017543	6418074043658	
Pg42	GPAB PG42BF	7017194	6418074074997	GPAB PG42BF 9005	7017544	6418074043665	
Pg48	GPAB PG48BF	7017195	6418074075000	GPAB PG48BF 9005	7017545	6418074043672	
<b>Npt Thread (Attachment thread: ANSI B1.20.1)</b>							
NPT3/8"	GPAB NPT3/8BF	7017196	6418074075017	GPAB NPT3/8BF 9005	7017546	6418074043689	
NPT1/2"	GPAB NPT1/2BF	7017197	6418074075024	GPAB NPT1/2BF 9005	7017547	6418074043696	
NPT3/4"	GPAB NPT3/4BF	7017198	6418074075031	GPAB NPT3/4BF 9005	7017548	6418074043702	
NPT1"	GPAB NPT1BF	7017199	6418074075048	GPAB NPT1BF 9005	7017549	6418074043719	



Technical Information				
Size	H mm	SW mm	D mm	Pack qty
<b>Pg Thread (Attachment thread: DIN 40430)</b>				
Pg7	5	19	21,0	50
Pg9	5	22	24,0	50
Pg11	5	24	26,0	50
Pg13,5	6	27	29,0	50
Pg16	6	30	33,0	50
Pg21	7	36	39,0	25
Pg29	7	46	50,0	20
Pg36	8	60	66,0	10
Pg42	8	65	73,0	10
Pg48	8	70	78,0	10
<b>Npt Thread (Attachment thread: ANSI B1.20.1)</b>				
NPT3/8"	5	22	25,0	50
NPT1/2"	5	27	30,5	50
NPT3/4"	5	33	37,5	25
NPT1"	6	47	46,5	20

# Lock Nuts (Without Flange)

Hexagonal lock nuts made of polyamide, glass fibre reinforced.

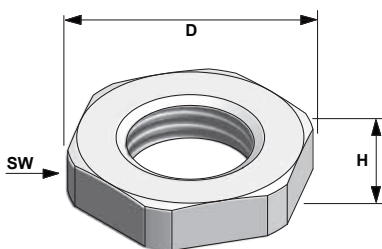


### Technical Details

Flammability : UL 94 HB  
 Material : Polyamide 6, 30% Glass Fibre Reinforced

**Manufactured according to the requirements of DIN 46320**

		Ral 7035		Ral 9005		
Size	Type	Code	EAN	Type	Code	EAN
<b>Metric Thread (Attachment thread: EN 60423)</b>						
M12x1,5	GPAB M12B	7017408	6418074043559	GPAB M12B 9005	7017636	6418074044969
M16x1,5	GPAB M16B	7017409	6418074043566	GPAB M16B 9005	7017637	6418074044976
M20x1,5	GPAB M20B	7017410	6418074043573	GPAB M20B 9005	7017638	6418074044983
M25x1,5	GPAB M25B	7017411	6418074043580	GPAB M25B 9005	7017639	6418074044990
M32x1,5	GPAB M32B	7017412	6418074043597	GPAB M32B 9005	7017640	6418074045003
M40x1,5	GPAB M40B	7017413	6418074043603	GPAB M40B 9005	7017641	6418074045010
M50x1,5	GPAB M50B	7017215	6418074043146	GPAB M50B 9005	7017328	6418074077714
M63x1,5	GPAB M63B	7017216	6418074043153	GPAB M63B 9005	7017329	6418074077721
<b>Pg Thread (Attachment thread: DIN 40430)</b>						
Pg7	GPAB PG7B	7017426	6418074043733	GPAB PG7B 9005	7017699	6418074045584
Pg9	GPAB PG9B	7017427	6418074043740	GPAB PG9B 9005	7017700	6418074045591
Pg11	GPAB PG11B	7017428	6418074043757	GPAB PG11B 9005	7017523	6418074044624
Pg13,5	GPAB PG13.5B	7017429	6418074043764	GPAB PG13.5B 9005	7017701	6418074045607
Pg16	GPAB PG16B	7017430	6418074043771	GPAB PG16B 9005	7017524	6418074044631
Pg21	GPAB PG21B	7017431	6418074043788	GPAB PG21B 9005	7017702	6418074045614
Pg29	GPAB PG29B	7017432	6418074043795	GPAB PG29B 9005	7017642	6418074045027
Pg36	GPAB PG36B	7017433	6418074043801	GPAB PG36B 9005	7017643	6418074045034
Pg42	GPAB PG42B	7017434	6418074043818	GPAB PG42B 9005	7017644	6418074045041
Pg48	GPAB PG48B	7017435	6418074043825	GPAB PG48B 9005	7017645	6418074045058



Technical Information				
Size	H mm	SW mm	D mm	Pack qty
<b>Pg Thread (Attachment thread: DIN 40430)</b>				
M12x1,5	5	18	19,5	100
M16x1,5	5	22	24,2	50
M20x1,5	6	26	28,6	50
M25x1,5	6	32	35,0	50
M32x1,5	7	41	46,1	25
M40x1,5	7	50	55,3	10
M50x1,5	8	60	66,1	10
M63x1,5	8	75	82,5	10
<b>Pg Thread (Attachment thread: DIN 40430)</b>				
Pg7	5	19	21,0	100
Pg9	5	22	24,0	100
Pg11	5	24	26,0	50
Pg13,5	6	27	29,0	50
Pg16	6	30	33,0	50
Pg21	7	36	39,0	25
Pg29	7	46	50,0	25
Pg36	8	60	66,0	25
Pg42	8	65	72,0	10
Pg48	8	70	78,0	10

# Round Blind Stops

Resistant to impact, made of polyamide 6.

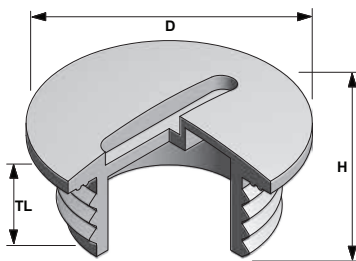


## Technical Details

Flammability : UL 94 V2  
Material : Polyamide 6

Manufactured according to the requirements of DIN 46320

Ral 7035				Ral 9005		
Size	Type	Code	EAN	Type	Code	EAN
M12x1,5	GSPB M12 slot	7017525	6418074044648	GSPB M12 slot 9005	7017646	6418074045065
M16x1,5	GSPB M16 slot	7017526	6418074044655	GSPB M16 slot 9005	7017647	6418074045072
M20x1,5	GSPB M20 slot	7017527	6418074044662	GSPB M20 slot 9005	7017648	6418074045089
M25x1,5	GSPB M25 slot	7017528	6418074044679	GSPB M25 slot 9005	7017649	6418074045096
M32x1,5	GSPB M32 slot	7017529	6418074044686	GSPB M32 slot 9005	7017650	6418074045102
M40x1,5	GSPB M40 slot	7017530	6418074044693	GSPB M40 slot 9005	7017651	6418074045119
M50x1,5	GSPB M50 slot	7017531	6418074044709	GSPB M50 slot 9005	7017654	6418074045140
<b>Pg Thread (Attachment thread: DIN 40430)</b>						
Pg7	GSPB PG7 slot	7017515	6418074044549	GSPB PG7 slot 9005	7017660	6418074045201
Pg9	GSPB PG9 slot	7017516	6418074044556	GSPB PG9 slot 9005	7017661	6418074045218
Pg11	GSPB PG11 slot	7017517	6418074044563	GSPB PG11 slot 9005	7017662	6418074045225
Pg13,5	GSPB PG13.5 slot	7017518	6418074044570	GSPB PG13.5 slot 9005	7017652	6418074045126
Pg16	GSPB PG16 slot	7017519	6418074044587	GSPB PG16 slot 9005	7017663	6418074045232
Pg21	GSPB PG21 slot	7017520	6418074044594	GSPB PG21 slot 9005	7017653	6418074045133
Pg29	GSPB PG29 slot	7017521	6418074044600	GSPB PG29 slot 9005	7017664	6418074045249
Pg36	GSPB PG36 slot	7017522	6418074044617	GSPB PG36 slot 9005	7017665	6418074045256



Technical Information				
Size	TL mm	H mm	D mm	Pack qty
<b>Metric Thread (Attachment thread: EN 60423)</b>				
M12x1,5	6	10,5	15	100
M16x1,5	7	11,5	20	50
M20x1,5	7	12,5	24	50
M25x1,5	10	15,0	30	50
M32x1,5	8	14,0	37	25
M40x1,5	6	12,5	46	10
M50x1,5	13	19,0	56	10
<b>Pg Thread (Attachment thread: DIN 40430)</b>				
Pg7	6	8,0	15	100
Pg9	6	8,5	19	100
Pg11	6	8,5	22	50
Pg13,5	6	8,5	25	50
Pg16	6	9,0	27	50
Pg21	8	12,0	33	25
Pg29	8	11,5	44	25
Pg36	10	14,0	55	25

# Hexagonal Blind Stops

Resistant to impact, made of polyamide 6.

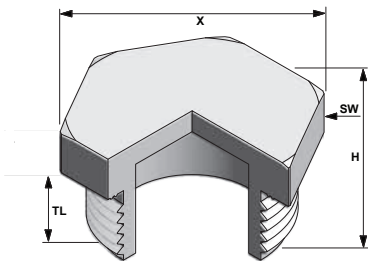


### Technical Details

Flammability : UL 94 V2  
Material : Polyamide 6

Manufactured according to the requirements of DIN 46320

		Ral 7035		Ral 9005		
Size	Type	Code	EAN	Type	Code	EAN
<b>Metric Thread (Attachment thread: EN 60423)</b>						
M12x1,5	GSPB M12 hexagon	7017687	6418074045461	GSPB M12 hexagon 9005	7017755	6418074046147
M16x1,5	GSPB M16 hexagon	7017688	6418074045478	GSPB M16 hexagon 9005	7017666	6418074045263
M16x1,5	GSPB M16L hexagon	7017689	6418074045485	GSPB M16L hexagon 9005	7017667	6418074045270
M20x1,5	GSPB M20 hexagon TL11	7017690	6418074045492	GSPB M20 hexagon 9005 TL11	7017737	6418074045966
M20x1,5	GSPB M20 hexagon TL12	7017691	6418074045508	GSPB M20 hexagon 9005 TL12	7017738	6418074045973
M20x1,5	GSPB M20L hexagon	7017692	6418074045515	GSPB M20L hexagon 9005	7017745	6418074046048
M25x1,5	GSPB M25 hexagon	7017693	6418074045522	GSPB M25 hexagon 9005	7017746	6418074046055
M25x1,5	GSPB M25L hexagon	7017694	6418074045539	GSPB M25L hexagon 9005	7017747	6418074046062
M32x1,5	GSPB M32 hexagon	7017695	6418074045546	GSPB M32 hexagon 9005	7017749	6418074046086
M40x1,5	GSPB M40 hexagon	7017696	6418074045553	GSPB M40 hexagon 9005	7017750	6418074046093
M50x1,5	GSPB M50 hexagon	7017697	6418074045560	GSPB M50 hexagon 9005	7017751	6418074046109
M63x1,5	GSPB M63 hexagon	7017698	6418074045577	GSPB M63 hexagon 9005	7017752	6418074046116



Technical Information					
Size	TL mm	H mm	X mm	SW mm	Pack qty
<b>Metric Thread (Attachment thread: EN 60423)</b>					
M12x1,5	10	15,0	17,0	15	100
M16x1,5	12	16,3	22,0	19	50
M16x1,5	15	19,3	22,0	19	50
M20x1,5	11	17,0	26,0	23	50
M20x1,5	12	18,0	26,0	23	50
M20x1,5	15	21,0	26,0	23	50
M25x1,5	10	15,8	32,0	28	25
M25x1,5	15	20,8	32,0	28	25
M32x1,5	15	22,8	41,5	36	25
M40x1,5	18	26,5	53,0	46	10
M50x1,5	18	27,5	63,5	55	10
M63x1,5	18	27,5	80,0	69	10

# Protection Tabs

Resistant to impact, made of polyamide 6.



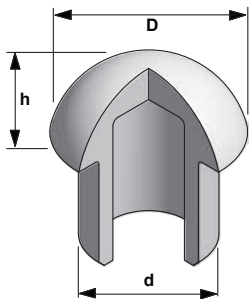
## Technical Details

Flammability : UL 94 V2

Material : Polyamide 6

Manufactured according to the requirements of DIN 46320

Ral 9005					
Type	Code	EAN-no.	Cable Gland Size		
			Metric	Pg	Npt
GPTB M12/PG7	7017852	6418074047113	M12x1,5/MM12x1,5E	Pg7	NPT1/4"
GPTB M16E/PG9	7017853	6418074047120	M16x1,5E	Pg9	-
GPTB M16/PG11	7017855	6418074047144	M16x1,5	Pg11	NPT3/8"
GPTB M20/PG13,5	7017856	6418074047151	M20x1,5/M20x1,5E	Pg13,5	NPT1/2"
GPTB M20L/PG16	7017857	6418074047168	M20x1,5	Pg16	NPT1/2"
GPTB M25E	7017858	6418074047175	M25x1,5E	-	-
GPTB M25/PG21	7017859	6418074047182	M25x1,5	Pg21	NPT3/4"
GPTB M32E	7017860	6418074047199	M32x1,5E	-	-
GPTB M32/PG29	7017842	6418074047014	M32x1,5	Pg29	NPT1"
GPTB M40E	7017843	6418074047021	M40x1,5E	-	-
GPTB M40/PG36	7017861	6418074047205	M40x1,5	Pg36	NPT1 1/4"
GPTB M50/PG42	7017348	6418074075734	M50x1,6/M50x1,6E	Pg42	NPT1 1/2"
GPTB M63/PG42	7017349	6418074075741	M63x1,5/M63x1,5E	Pg48	NPT2"



Technical Information				
Clamping Range Ø min-max mm	d mm	h (mm)	D (mm)	Pack qty
3,0 - 6,5	6,5	3,0	9,2	100
4,0 - 8,0	8,0	5,0	10,5	50
5,0 - 10,0	10,0	5,5	13,5	50
6,0 - 12,0	12,0	8,0	16,0	50
10,0 - 14,0	13,5	8,5	18,0	50
11,0 - 17,0	16,5	7,5	20,0	50
13,0 - 18,0	18,0	10,0	22,0	25
15,0 - 21,0	20,5	9,0	24,0	25
18,0 - 25,0	25,0	10,0	28,5	25
19,0 - 28,0	27,5	9,0	32,0	10
22,0 - 32,0	32,0	10,5	37,5	10
30,0 - 38,0	38,0	13,0	44,5	10
34,0 - 44,0	44,0	16,0	52,0	10

## Metal Cable Glands & Accessories

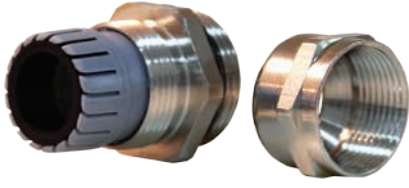
### Metal Cable Glands & Accessories

- Industry applications where high mechanical and chemical resistance is required
- Suitable for highest demand of technology requirements
- Liquid tight
- Excellent strain relief
- Multipurpose applications



# Standard Series Metric Thread Cable Glands

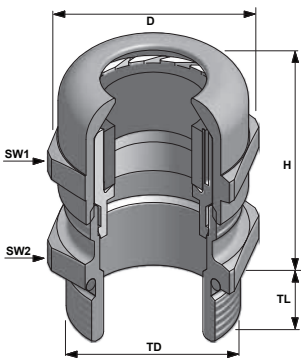
Suitable for highest demands of todays technology,  
water tight, offering excellent strain relief.



## Technical Details

Material	: Brass, Nickel Plated
Clamping Insert	: Polyamide 6 V2
Protection Class	: IP 68 - 5 Bar
Oper. Temperature	: -20°C to +100°C permanent : -40°C up to +150°C intermittent
Seal	: Chloroprene Rubber
O-Ring	: NBR
Attachment Thread	: EN 60423

Size	Type	Code	EAN
M12x1,5	GMSB M12	7017312	6418074043399
M16x1,5	GMSB M16	7017315	6418074043405
M16x1,5	GMSB M16S	7017722	6418074045812
M20x1,5	GMSB M20	7017320	6418074043412
M25x1,5	GMSB M25	7017325	6418074043429
M25x1,5	GMSB M25S	7017724	6418074045836
M32x1,5	GMSB M32	7017332	6418074043436
M32x1,5	GMSB M32S	7017726	6418074045850
M40x1,5	GMSB M40	7017340	6418074043443
M40x1,5	GMSB M40S	7017729	6418074045881
M50x1,5	GMSB M50	7017350	6418074043450
M50x1,5	GMSB M50S	7017731	6418074045904
M63x1,5	GMSB M63	7017360	6418074043467
M63x1,6	GMSB M63S	7017732	6418074045911
<b>Glands With Long Thread</b>			
M12x1,5	GMSB M12L	7017744	6418074046031
M16x1,5	GMSB M16L	7017739	6418074045980
M20x1,5	GMSB M20L	7017740	6418074045997
M25x1,5	GMSB M25L	7017741	6418074046000
M32x1,5	GMSB M32L	7017742	6418074046017
M40x1,5	GMSB M40L	7017743	6418074046024
M50x1,5	GMSB M50L	7017837	6418074046963
M63x1,5	GMSB M63L	7017838	6418074046970



Technical Information								
Size	TD mm	TL mm	SW1 mm	SW2 mm	Max. H mm	D mm	Clamping Range Ø min-max mm	Pack qty
M12x1,5	12	6	14	14	21,5	15,5	3,0 - 6,5	50
M16x1,5	16	7	17	18	23,0	18,9	4,0 - 8,0	50
M16x1,5	16	6,5	20	20	24,0	22,0	4,5 - 10,0	50
M20x1,5	20	8	22	22	24,3	24,5	6,0 - 12,0	50
M25x1,5	25	8	24	27	27,6	26,8	10,0 - 14,0	25
M25x1,5	25	8	30	30	29,5	33,0	12,0 - 18,0	25
M32x1,5	32	9	30	34	31,2	33,0	13,0 - 18,0	25
M32x1,5	32	9	40	40	35,0	44,5	17,0 - 24,0	25
M40x1,5	40	9	40	43	38,5	44,5	18,0 - 25,0	20
M40x1,5	40	8	50	50	42,0	55,5	22,0 - 32,0	20
M50x1,5	50	9	50	55	47,3	55,5	22,0 - 32,0	15
M50x1,5	50	9	64	68	49,0	70,0	29,0 - 40,0	10
M63x1,5	63	14	64	68	50,3	70,0	34,0 - 44,0	12
M63x1,5	63	10	75	75	54,0	83,0	37,0 - 53,0	10
<b>Glands With Long Thread</b>								
M12x1,5	12	12	14	14	21,5	15,5	3,0 - 6,5	50
M16x1,5	16	12	17	18	23,0	18,9	4,0 - 8,0	50
M20x1,5	20	12	22	22	24,3	24,5	6,0 - 12,0	50
M25x1,5	25	12	24	27	27,6	26,8	10,0 - 14,0	25
M32x1,5	32	15	30	34	31,2	33,0	13,0 - 18,0	25
M40x1,5	40	15	40	43	38,5	44,5	18,0 - 25,0	20
M50x1,5	50	15	50	55	47,3	55,5	22,0 - 32,0	15
M63x1,5	63	18	64	68	50,3	70,0	34,0 - 44,0	12



# Standard Series Euro Metric Brass Glands

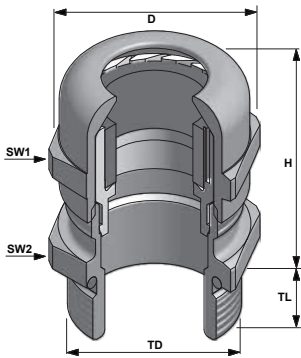
Suitable for highest demands of todays technology,  
water tight, offering excellent strain relief.



### Technical Details

Material : Brass, Nickel Plated  
 Clamping Insert : Polyamide 6 V2  
 Protection Class : IP 68 - 5 Bar  
 Oper. Temperature : -20°C to +100°C permanent  
 : -40°C up to +150°C intermittent  
 Seal : Chloroprene Rubber  
 O-Ring : NBR  
 Attachment Thread : EN60423

Size	Type	Code	EAN
M12x1,5	GMSB M12E	7017736	6418074045959
M16x1,5	GMSB M16E	7017734	6418074045935
M20x1,5	GMSB M20E	7017735	6418074045942
M25x1,5	GMSB M25E	7017862	6418074047212
M32x1,5	GMSB M32E	7017863	6418074047229
M40x1,5	GMSB M40E	7017864	6418074047236
M50x1,5	GMSB M50E	7017995	6418074048837
M63x1,5	GMSB M63E	7017835	6418074046949
<b>Glands With Long Thread</b>			
M12x1,5	GMSB M12LE	7017877	6418074047366
M16x1,5	GMSB M16LE	7017878	6418074047373
M20x1,5	GMSB M20LE	7017879	6418074047380
M25x1,5	GMSB M25LE	7017880	6418074047397
M32x1,5	GMSB M32LE	7017881	6418074047403
M40x1,5	GMSB M40LE	7017882	6418074047410
M50x1,5	GMSB M50LE	7017883	6418074047427
M63x1,5	GMSB M63LE	7017884	6418074047434



Technical Information								
Size	TD mm	TL mm	SW1 mm	SW2 mm	Max. H mm	D mm	Clamping Range Ø min-max mm	Pack qty
M12x1,5	12	6	14	14	21,5	15,5	3,0 - 6,5	50
M16x1,5	16	7	20	20	25,3	22,0	5,0 - 10,0	50
M20x1,5	20	8	22	22	25,4	24,5	6,0 - 12,0	50
M25x1,5	25	8	27	27	31,0	30,0	11,0 - 17,0	25
M32x1,5	32	8	34	34	33,5	37,0	15,0 - 21,0	25
M40x1,5	40	9	43	43	42,0	48,4	19,0 - 28,0	20
M50x1,5	50	9	58	58	50,0	64,0	27,0 - 38,0	12
M63x1,5	63	14	64	68	52,3	70,0	34,0 - 44,0	12
<b>Glands With Long Thread</b>								
M12x1,5	12	12	14	14	21,2	15,5	3,0 - 6,5	50
M16x1,5	16	12	20	20	25,3	22,0	5,0 - 10,0	50
M20x1,5	20	12	22	22	25,4	24,5	6,0 - 12,0	50
M25x1,5	25	12	27	27	31,0	30,0	11,0 - 17,0	25
M32x1,5	32	15	34	34	33,5	37,0	15,0 - 21,0	25
M40x1,5	40	15	43	43	42,0	48,4	19,0 - 28,0	20
M50x1,5	50	15	58	58	50,0	64,0	27,0 - 38,0	10
M63x1,5	63	15	64	68	52,3	70,0	34,0 - 44,0	10

# Standard Series Pg Thread Cable Glands

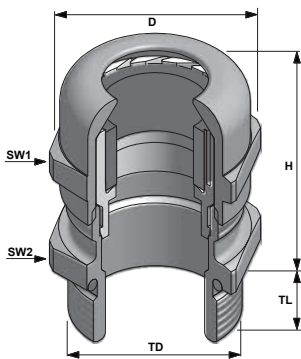
Suitable for highest demands of todays technology,  
water tight, offering excellent strain relief.



## Technical Details

Material	: Brass, Nickel Plated
Clamping Insert	: Polyamide 6 V2
Protection Class	: IP 68 - 5 Bar
Oper. Temperature	: -20°C to +100°C permanent : -40°C up to +150°C intermittent
Seal	: Chloroprene Rubber
O-Ring	: NBR
Attachment Thread	: DIN 40430

Size	Type	Code	EAN
Pg7	GMSB PG7	7017444	6418074043917
Pg9	GMSB PG9	7017445	6418074043924
Pg11	GMSB PG11	7017446	6418074043931
Pg13,5	GMSB PG13,5	7017447	6418074043948
Pg16	GMSB PG16	7017448	6418074043955
Pg21	GMSB PG21	7017449	6418074043962
Pg29	GMSB PG29	7017450	6418074043979
Pg36	GMSB PG36	7017451	6418074043986
Pg42	GMSB PG42	7017452	6418074043993
Pg48	GMSB PG48	7017453	6418074044006
<b>Glands With Long Thread</b>			
Pg7	GMSB PG7L	7017911	6418074047700
Pg9	GMSB PG9L	7017912	6418074047717
Pg11	GMSB PG11L	7017913	6418074047724
Pg13,5	GMSB PG13,5L	7017914	6418074047731
Pg16	GMSB PG16L	7017916	6418074047755
Pg21	GMSB PG21L	7017917	6418074047762
Pg29	GMSB PG29L	7017918	6418074047779
Pg36	GMSB PG36L	7017919	6418074047786
Pg42	GMSB PG42L	7017920	6418074047793
Pg48	GMSB PG48L	7017921	6418074047809



Technical Information								
Size	TD mm	TL mm	SW1 mm	SW2 mm	Max. H mm	D mm	Clamping Range Ø min-max mm	Pack qty
Pg7	12,5	6,0	14	14	21,8	15,5	3,0 - 6,5	50
Pg9	15,2	6,0	17	17	22,6	18,9	4,0 - 8,0	50
Pg11	18,6	6,0	20	20	25,3	22,0	5,0 - 10,0	50
Pg13,5	20,4	6,5	22	22	24,1	24,5	6,0 - 12,0	50
Pg16	22,5	6,5	24	24	27,5	26,8	10,0 - 14,0	25
Pg21	28,3	7,2	30	30	31,2	33,0	13,0 - 18,0	25
Pg29	37,0	8,0	40	40	39,3	44,5	18,0 - 25,0	20
Pg36	47,0	9,0	50	50	47,2	55,5	22,0 - 32,0	15
Pg42	54,0	12,0	58	58	47,7	64,0	30,0 - 38,0	12
Pg48	59,3	14,0	64	64	52,0	70,0	34,0 - 44,0	12
<b>Glands With Long Thread</b>								
Pg7	12,5	10,0	14	14	21,8	15,5	3,0 - 6,5	50
Pg9	15,2	10,0	17	17	22,6	18,9	4,0 - 8,0	50
Pg11	18,6	10,0	20	20	25,3	22,0	5,0 - 10,0	50
Pg13,5	20,4	10,0	22	22	24,1	24,5	6,0 - 12,0	50
Pg16	22,5	10,0	24	24	27,5	26,8	10,0 - 14,0	25
Pg21	28,3	12,0	30	30	31,2	33,0	13,0 - 18,0	25
Pg29	37,0	12,0	40	40	39,3	44,5	18,0 - 25,0	20
Pg36	47,0	14,0	50	50	47,2	55,5	22,0 - 32,0	15
Pg42	54,0	16,0	58	58	47,7	64,0	30,0 - 38,0	12
Pg48	59,3	18,0	64	64	52,0	70,0	34,0 - 44,0	12

# Standard Series Npt Thread Cable Glands

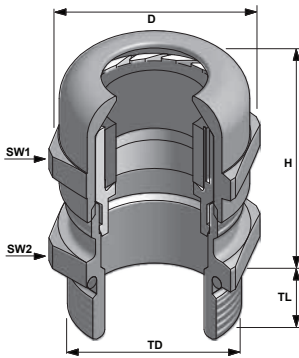
Suitable for highest demands of todays technology,  
water tight, offering excellent strain relief.



## Technical Details

Material : Brass, Nickel Plated  
 Clamping Insert : Polyamide 6 V2  
 Protection Class : IP 68 - 5 Bar  
 Oper. Temperature : -20°C to +100°C permanent  
 : -40°C up to +150°C intermittent  
 Seal : Chloroprene Rubber  
 O-Ring : NBR  
 Attachment Thread : EN60423

Size	Type	Code	EAN
NPT3/8"	GMSB NPT3/8	7017885	6418074047441
NPT3/8"	GMSB NPT3/8S	7017886	6418074047458
NPT1/2"	GMSB NPT1/2	7017854	6418074047137
NPT1/2"	GMSB NPT1/2S	7017887	6418074047465
NPT3/4"	GMSB NPT3/4	7017888	6418074047472
NPT1"	GMSB NPT1	7017889	6418074047489



Technical Information								
Size	TD mm	TL mm	SW1 mm	SW2 mm	Max. H mm	D mm	Clamping Range Ø min-max mm	Pack qty
NPT3/8"	16	11,5	20	20	23,0	22,0	4,0 - 8,0	50
NPT3/8"	16	11,5	20	20	24,0	22,0	5,0 - 10,0	50
NPT1/2"	21	13,0	22	22	25,5	24,5	6,0 - 12,0	50
NPT1/2"	21	13,0	24	27	27,6	29,7	10,0 - 14,0	50
NPT3/4"	29	13,0	30	30	34,0	33,0	13,0 - 18,0	25
NPT1"	32	13,0	40	43	43,0	44,5	18,0 - 25,0	10

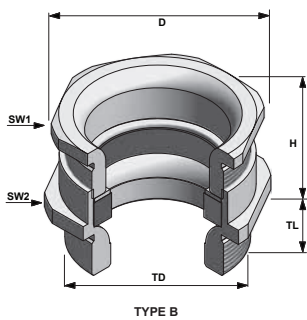
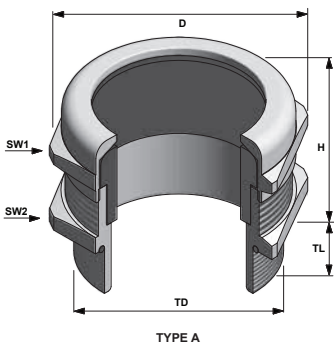
# Glands For Big Size Cables (M72 up to M120)



## Technical Details

Material	: Brass, Nickel Plated
Protection Class	: IP 68 - 5 Bar
Oper. Temperature	: -20°C to +100°C permanent : -40°C up to +300°C intermittent
Seal	: Nitril or Silicone
O-Ring	: Nitril or Silicone
Attachment Thread	: EN 60423

Size	Type	Code	EAN
M72x2	GMSB M72x2	7017890	6418074047496
M75x1,5	GMSB M75x1.5	7017897	6418074047564
M75x2	GMSB M75x2	7017668	6418074045287
M80x2	GMSB M80x2	7017898	6418074047571
M80x2	GMSB M80x2S	7017669	6418074045294
M85x2	GMSB M85x2	7017900	6418074047595
M85x2	GMSB M85x2S	7017899	6418074047588
M90x2	GMSB M90x2	7017901	6418074047601
M110x2	GMSB M110x2	7017902	6418074047618
M120x2	GMSB M120x2	7017903	6418074047625



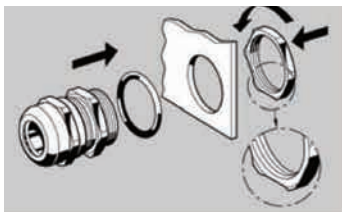
## Technical Information

Size	TD mm	TL mm	SW1 mm	SW2 mm	Max. H mm	D mm	Clamping Range Ø min-max mm	Type	Pack qty
M72x2	72	16	77	77	41	86,0	56,0 - 61,0	A	4
M75x1,5	75	16	77	77	41	86,0	56,0 - 61,0	A	4
M75x2	75	16	77	77	41	86,0	56,0 - 61,0	A	4
M80x2	80	18	90	90	50	100,0	50,0 - 56,0	A	2
M80x2	80	18	90	90	50	100,0	60,0 - 66,0	A	2
M85x2	85	22	96	95	50	108,0	63,0 - 70,0	A	2
M85x2	85	22	95	95	52	106,2	68,0 - 76,0	A	2
M90x2	90	22	95	100	52	106,2	68,0 - 76,0	A	2
M110x2	110	25	120	125	72	130,0	75,0 - 82,0	B	2
M120x2	120	25	116	120	65	130,0	88,0 - 95,0	A	2

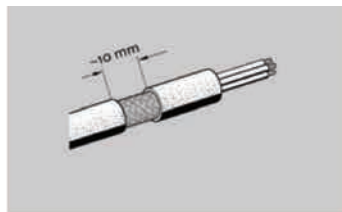
## EMC2 Cable Glands (Intro)

EMC cable glands combine several advantages in one product. Firstly, you get the same clamping ranges as with the standard brass glands. The protection class is IP 68. In order to get a low electrical impedance between the cable gland and the braiding of the cable the cable gland does not have to be disassembled. Secondly, a perfect shielding will be achieved by just tightening the dome nut. This high tech cable gland consists of a nickel plated brass body, a PA6 clamping insert, an EMC contact element and a chloroprene seal. These components are all pre-assembled.

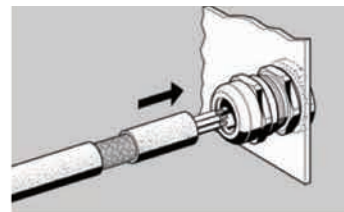
To install an EMC cable gland remove approx. 5 – 10 mm (0.20 – 0.39) of insulation from the cable. Insert cable into the cable gland and adjust it without the contact elements touching the braiding. Tightening the cap conductivity will be established. Contact elements design will adapt to different cable diameters according to the gland's clamping ranges. Since the clamping insert of the cable gland is as long as the gland itself electrical shortcuts between the body and individual wires will be avoided.



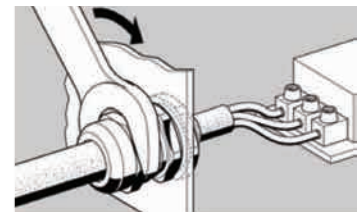
Tighten the cable gland to the housing



Remove outer sheath of shielded cable



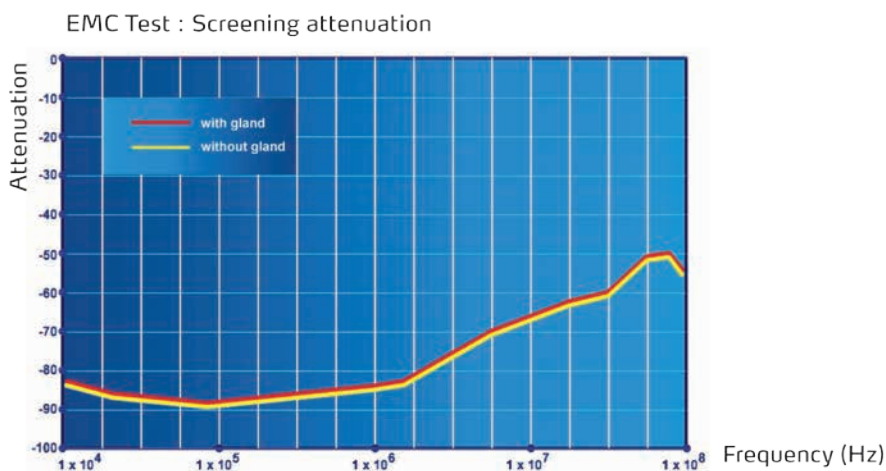
Insert cable until EMC spring



Lock and tighten the cap

Tightening the dome nut will have three different effects: The cable will be centred in the cable gland, the chloroprene seal will ensure IP 68 protection and the design of the dome cap will provide appropriate strain relief. All is done by just one turn of the dome cap. Even uninstalling the cable is easy; open the dome cap and pull out the cable from the cable gland together with the insert which can then be easily removed.

These features together make this EMC cable gland unique.



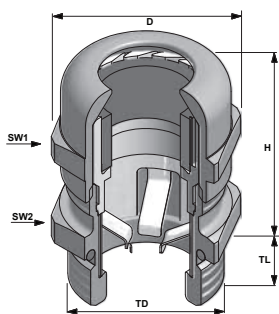
# EMC2 Cable Glands Metric Thread



## Technical Details

Material	: Brass, Nickel Plated
Clamping Insert	: Polyamide 6 V2
Contact Spring	: Special Copper Alloy
Protection Class	: IP 68 - 5 Bar
Oper. Temperature	: -20°C to +100°C permanent : -40°C up to +300°C intermittent
Seal	: Chloroprene
O-Ring	: NBR

Size	Type	Code	EAN
M12x1,5	GMSB EMC2 M12	7017783	6418074046420
M16x1,5	GMSB EMC2 M16	7017766	6418074046253
M16x1,5	GMSB EMC2 M16S	7017767	6418074046260
M20x1,5	GMSB EMC2 M20	7017768	6418074046277
M25x1,5	GMSB EMC2 M25	7017770	6418074046291
M25x1,5	GMSB EMC2 M25S	7017771	6418074046307
M32x1,5	GMSB EMC2 M32	7017772	6418074046314
M32x1,5	GMSB EMC2 M32S	7017773	6418074046321
M40x1,5	GMSB EMC2 M40	7017774	6418074046338
M40x1,5	GMSB EMC2 M40S	7017777	6418074046369
M50x1,5	GMSB EMC2 M50	7017778	6418074046376
M50x1,5	GMSB EMC2 M50S	7017779	6418074046383
M63x1,5	GMSB EMC2 M63	7017780	6418074046390
<b>Glands with Long Thread</b>			
M12x1,5	GMSB EMC2 M12L	7017865	6418074047243
M16x1,5	GMSB EMC2 M16L	7017810	6418074046697
M20x1,5	GMSB EMC2 M20L	7017812	6418074046710
M25x1,5	GMSB EMC2 M25L	7017813	6418074046727
M32x1,5	GMSB EMC2 M32L	7017815	6418074046741
M40x1,5	GMSB EMC2 M40L	7017817	6418074046765
M50x1,5	GMSB EMC2 M50L	7017819	6418074046789
M63x1,5	GMSB EMC2 M63L	7017866	6418074047250



Technical Information									
Size	TD mm	TL mm	SW1 mm	SW2 mm	Max. H mm	D mm	Clamping Range Ø min-max mm	Shield Diameter Ø min mm	Pack qty
M12x1,5	12	6	14	14	21,5	15,5	3,0 - 6,5	2,5	50
M16x1,5	16	7	17	18	23,0	18,9	4,0 - 8,0	3,0	50
M16x1,5	16	6,5	20	20	24,0	22,0	4,5 - 10,0	3,5	50
M20x1,5	20	8	22	22	24,3	24,5	6,0 - 12,0	4,5	50
M25x1,5	25	8	24	27	27,6	26,8	10,0 - 14,0	8,5	25
M25x1,5	25	8	30	30	29,5	33,0	12,0 - 18,0	10,5	25
M32x1,5	32	9	30	34	31,2	33,0	13,0 - 18,0	11,0	25
M32x1,5	32	8	40	40	35,0	41,8	17,0 - 24,0	14,0	25
M40x1,5	40	9	40	43	38,5	44,5	18,0 - 25,0	16,0	20
M40x1,5	40	8	50	50	42,0	55,0	22,0 - 32,0	20,0	20
M50x1,5	50	9	50	55	47,3	55,5	22,0 - 32,0	20,0	15
M50x1,5	50	9	57	57	49,0	62,7	29,0 - 40,0	26,0	10
M63x1,5	63	14	64	68	50,3	70,0	34,0 - 44,0	31,0	12
<b>Glands with Long Thread</b>									
M12x1,5	12	12	14	14	21,8	15,5	3,0 - 6,5	2,5	50
M16x1,5	16	12	17	18	22,6	18,9	4,0 - 8,0	3,0	50
M20x1,5	20	12	22	22	24,5	24,5	6,0 - 12,0	4,5	50
M25x1,5	25	12	24	27	27,5	26,8	10,0 - 14,0	8,5	25
M32x1,5	32	15	30	34	31,4	33,0	13,0 - 18,0	11,0	25
M40x1,5	40	15	40	43	39,0	44,5	18,0 - 25,0	16,0	20
M50x1,5	50	15	50	55	47,3	55,5	22,0 - 32,0	20,0	15
M63x1,5	63	18	64	68	52,2	70,0	34,0 - 44,0	31,0	12

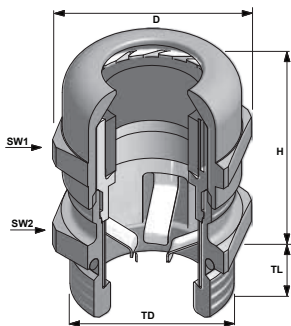
# EMC2 Cable Glands Pg Thread



## Technical Details

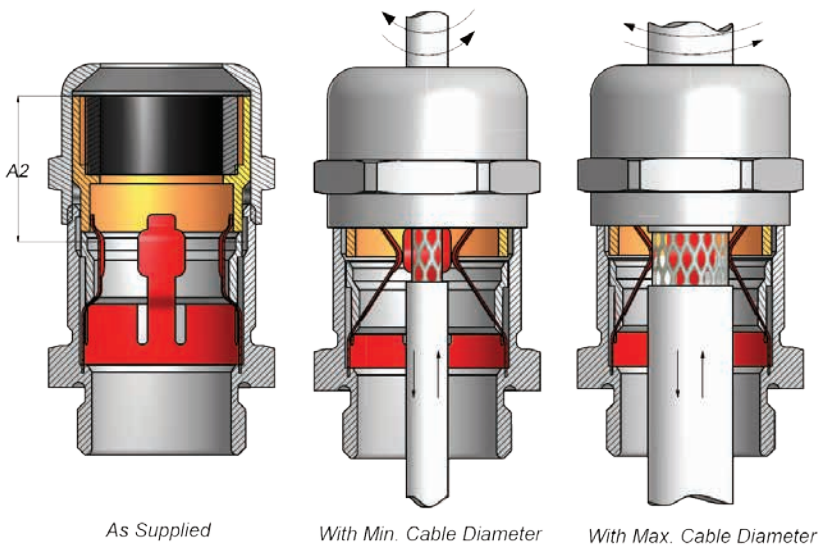
Material : Brass, Nickel Plated  
 Clamping Insert : Polyamide 6 V2  
 Contact Spring : Special Copper Alloy  
 Protection Class : IP 68 - 5 Bar  
 Oper. Temperature : -20°C to +100°C permanent  
 : -40°C up to +300°C intermittent  
 Seal : Chloroprene  
 O-Ring : NBR  
 Attachment Thread : DIN 40430

Size	Type	Code	EAN
Pg7	GMSB EMC2 PG7	7017932	6418074047915
Pg9	GMSB EMC2 PG9	7017934	6418074047939
Pg11	GMSB EMC2 PG11	7017936	6418074047953
Pg13,5	GMSB EMC2 PG13,5	7017938	6418074047977
Pg16	GMSB EMC2 PG16	7017940	6418074047991
Pg21	GMSB EMC2 PG21	7017942	6418074048011
Pg29	GMSB EMC2 PG29	7017944	6418074048035
Pg36	GMSB EMC2 PG36	7017946	6418074048059
Pg42	GMSB EMC2 PG42	7017948	6418074048073
Pg48	GMSB EMC2 PG48	7017950	6418074048097
<b>Glands with Long Thread</b>			
Pg7	GMSB EMC2 PG7L	7017952	6418074048110
Pg9	GMSB EMC2 PG9L	7017953	6418074048127
Pg11	GMSB EMC2 PG11L	7017954	6418074048134
Pg13,5	GMSB EMC2 PG13,5L	7017955	6418074048141
Pg16	GMSB EMC2 PG16L	7017956	6418074048158
Pg21	GMSB EMC2 PG21L	7017957	6418074048165
Pg29	GMSB EMC2 PG29L	7017958	6418074048172
Pg36	GMSB EMC2 PG36L	7017959	6418074048189
Pg42	GMSB EMC2 PG42L	7017960	6418074048196
Pg48	GMSB EMC2 PG48L	7017961	6418074048202



Technical Information									
Size	TD mm	TL mm	SW1 mm	SW2 mm	Max. H mm	D mm	Clamping Range Ø min-max mm	Shield Diameter Ø min mm	Pack qty
Pg7	12,5	6,0	14	14	21,8	15,5	3,0 - 6,5	2,5	50
Pg9	15,2	6,0	17	17	22,6	18,9	4,0 - 8,0	3,0	50
Pg11	18,6	6,0	20	20	25,3	22,0	5,0 - 10,0	4,0	50
Pg13,5	20,4	6,5	22	22	24,1	24,5	6,0 - 12,0	5,0	50
Pg16	22,5	6,5	24	24	27,5	26,8	10,0 - 14,0	8,5	25
Pg21	28,3	7,2	30	30	31,2	33,0	13,0 - 18,0	11,0	25
Pg29	37,0	8,0	40	40	39,3	44,5	18,0 - 25,0	16,0	20
Pg36	47,0	9,0	50	50	47,2	55,5	22,0 - 32,0	20,0	15
Pg42	54,0	12,0	58	58	47,7	64,0	30,0 - 38,0	28,0	12
Pg48	59,3	14,0	64	64	52,0	70,0	34,0 - 44,0	31,0	12
<b>Glands with Long Thread</b>									
Pg7	12,5	8,0	14	14	21,8	15,5	3,0 - 6,5	2,5	50
Pg9	15,2	10,0	17	17	22,6	18,9	4,0 - 8,0	3,0	50
Pg11	18,6	10,0	20	20	25,3	22,0	5,0 - 10,0	4,0	50
Pg13,5	20,4	10,0	22	22	24,1	24,5	6,0 - 12,0	5,0	50
Pg16	22,5	10,0	24	24	27,5	26,8	10,0 - 14,0	8,5	25
Pg21	28,3	12,0	30	30	31,2	33,0	13,0 - 18,0	11,0	25
Pg29	37,0	12,0	40	40	39,3	44,5	18,0 - 25,0	16,0	20
Pg36	47,0	14,0	50	50	47,2	55,5	22,0 - 32,0	20,0	15
Pg42	54,0	16,0	58	58	47,7	64,0	30,0 - 38,0	28,0	12
Pg48	59,3	18,0	64	64	52,0	70,0	34,0 - 44,0	31,0	12

## EMC4 Cable Glands (Intro)



These cable glands are developed in accordance with end users' requirements.

Their features can be summarized as follows:

- Easy insertion of the cable from two sides of the gland.
- Free radial and axial movement of the cable.
- Easy radial and axial movement of the cable, even in contact position without any damage to the braid with the help of rounded contact finger surfaces.
- Large contact surfaces of the fingers allow low contact resistance even on loosely woven cable braids (the contact surfaces do not sink into the braided wires).
- High contact performance even under vibration with help of the reduced  $A_2$  distance between the "sealing clamping level" and "EMC contact level".





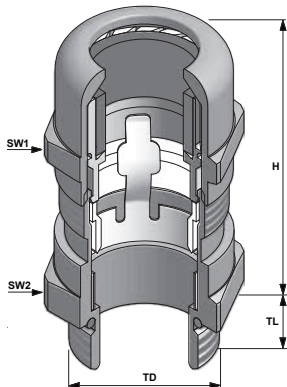
# EMC4 Cable Glands Metric Thread



## Technical Details

Material	: Brass, Nickel Plated
Clamping Insert	: Polyamide 6 V2
Contact Spring	: Special Copper Alloy
Protection Class	: IP 68 - 5 Bar
Oper. Temperature	: -20°C to +100°C permanent : -40°C up to +300°C intermittent
Seal	: Chloroprene
O-Ring	: NBR
Attachment Thread	: EN60423

Size	Type	Code	EAN
M12x1,5	GMSB EMC4 M12	7017809	6418074046680
M16x1,5	GMSB EMC4 M16	7017786	6418074046451
M20x1,5	GMSB EMC4 M20S	7017793	6418074046529
M20x1,5	GMSB EMC4 M20	7017792	6418074046512
M25x1,5	GMSB EMC4 M25	7017797	6418074046567
M32x1,5	GMSB EMC4 M32	7017800	6418074046598
M40x1,5	GMSB EMC4 M40	7017802	6418074046611
M50x1,5	GMSB EMC4 M50	7017804	6418074046635
M63x1,5	GMSB EMC4 M63	7017806	6418074046659
M63x1,5	GMSB EMC4 M63L	7017794	6418074046536



Technical Information								
Size	TD mm	TL mm	SW1 mm	SW2 mm	Max. H mm	Clamping Range Ø min-max mm	Shield Diameter Ø min mm	Pack qty
M12x1,5	12	6	14	14	28	3,0 - 6,5	2,0 - 5,0	50
M16x1,5	16	6	20	20	34	5,0 - 10,0	3,5 - 8,0	50
M20x1,5	20	6	22	22	32	6,0 - 12,0	4,5 - 10,0	50
M20x1,5	20	8	24	24	38	7,5 - 14,0	5,5 - 11,5	50
M25x1,5	25	8	30	30	42	10,0 - 18,0	7,0 - 14,0	25
M32x1,5	32	9	40	40	50	16,0 - 25,0	12,0 - 20,0	25
M40x1,5	40	9	50	50	57	22,0 - 32,0	18,0 - 27,0	20
M50x1,5	50	9	58	58	67	30,0 - 38,0	26,0 - 34,0	12
M63x1,5	63	14	64	68	69	34,0 - 44,0	30,0 - 40,0	12
M63x1,5	63	10	75	75	72	37,0 - 53,0	33,0 - 49,0	12

# EMC4 Cable Glands Pg Thread

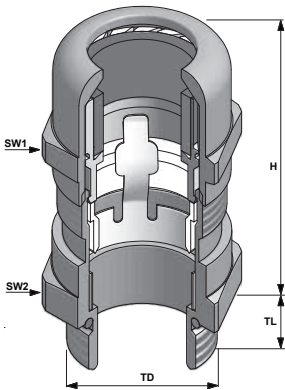


## Technical Details

Material	: Brass, Nickel Plated
Clamping Insert	: Polyamide 6 V2
Contact Spring	: Special Copper Alloy
Protection Class	: IP 68 - 5 Bar
Oper. Temperature	: -20°C to +100°C permanent : -40°C up to +300°C intermittent
Seal	: Chloroprene
O-Ring	: NBR
Attachment Thread	: DIN 40430

**Not in stock, MOQ is 2000 pc**

Size	Type	Code	EAN
Pg7	GMSB EMC4 PG7	7017361	6418074075185
Pg9	GMSB EMC4 PG9	7017362	6418074075192
Pg11	GMSB EMC4 PG11	7017363	6418074075208
Pg13,5	GMSB EMC4 PG13,5	7017364	6418074075215
Pg16	GMSB EMC4 PG16	7017365	6418074075222
Pg21	GMSB EMC4 PG21	7017366	6418074075239
Pg29	GMSB EMC4 PG29	7017367	6418074075246
Pg36	GMSB EMC4 PG36	7017368	6418074075253
Pg42	GMSB EMC4 PG42	7017369	6418074075260
Pg48	GMSB EMC4 PG48	7017370	6418074075277



Technical Information									
Size	TD mm	TL mm	SW1 mm	SW2 mm	Max. H mm	Clamping Range Ø min-max mm	Shield Diameter Ø min mm	Pack qty	
Pg7	12,5	6	14	14	22	3,0 - 6,5	2,0 - 5,0	50	
Pg9	15,2	6	17	17	23	4,0 - 8,0	3,0 - 4,0	50	
Pg11	18,6	6	20	20	28	5,0 - 10,0	3,5 - 8,0	50	
Pg13,5	20,4	6	22	22	26	6,0 - 12,0	4,5 - 10,0	50	
Pg16	22,5	8	24	24	30	7,5 - 14,0	5,5 - 11,5	25	
Pg21	28,3	8	30	30	34	10,0 - 18,0	7,0 - 14,0	25	
Pg29	37,0	9	40	40	41	16,0 - 25,0	12,0 - 20,0	25	
Pg36	47,0	9	50	50	48	22,0 - 32,0	18,0 - 27,0	20	
Pg42	54,0	9	58	60	49	30,0 - 38,0	26,0 - 34,0	10	
Pg48	59,3	14	64	68	52	34,0 - 44,0	30,0 - 40,0	5	

# Stainless Steel Glands

Main usage of these glands is in tunnel lighting and chemical industry where high mechanical and chemical resistance is required. Cap and Body can be produced from AISI 303 (1,4305) or AISI 316L (1,4404) grade stainless steel.



### Technical Details

Materials : 1:1,4305 (AISI 303)  
 : 2:1,4404 (AISI 316L)  
 Not in stock please specify material with your order

Clamping Insert : Polyamide 6 V2

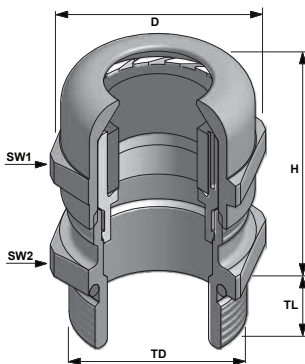
Protection Class : IP 68 - 5 Bar

Oper. Temperature : -20°C to +100°C permanent  
 : -40°C up to +300°C intermittent

Seal : Chloroprene

O-Ring : NBR

Size	Type	Code	EAN
<b>Metric Thread (Attachment thread: EN 60423)</b>			
M12x1,5	GSSB M12	7017351	6418074075574
M16x1,5	GSSB M16	7017845	6418074047045
M20x1,5	GSSB M20	7017846	6418074047052
M25x1,5	GSSB M25	7017847	6418074047069
M32x1,5	GSSB M32	7017352	6418074075581
M40x1,5	GSSB M40	7017848	6418074047076
M50x1,5	GSSB M50	7017353	6418074075598
M63x1,5	GSSB M63	7017354	6418074075604
<b>Pg Thread (Attachment thread: DIN 40430)</b>			
Pg7	GSSB PG7	7017355	6418074075611
Pg9	GSSB PG9	7017356	6418074075628
Pg11	GSSB PG11	7017971	6418074048301
Pg13,5	GSSB PG13.5	7017357	6418074075635
Pg16	GSSB PG16	7017973	6418074048325
Pg21	GSSB PG21	7017975	6418074048349
Pg29	GSSB PG29	7017358	6418074075642
Pg36	GSSB PG36	7017359	6418074075659
Pg42	GSSB PG42	7017341	6418074075666
Pg48	GSSB PG48	7017342	6418074075673



Technical Information								
Size	TD mm	TL mm	SW1 mm	SW2 mm	Max. H mm	D mm	Clamping Range Ø min-max mm	Pack qty
<b>Metric Thread (Attachment thread: EN 60423)</b>								
M12x1,5	12,0	6,0	14	14	21,5	15,5	3,0 - 6,5	50
M16x1,5	16,0	7,0	17	18	23,0	18,9	4,0 - 8,0	50
M20x1,5	20,0	8,0	22	22	24,3	24,5	6,0 - 12,0	50
M25x1,5	25,0	8,0	24	27	27,6	26,8	10,0 - 14,0	25
M32x1,5	32,0	9,0	30	36	31,2	33,0	13,0 - 18,0	25
M40x1,5	40,0	9,0	41	46	38,5	45,5	18,0 - 25,0	20
M50x1,5	50,0	9,0	50	55	47,3	55,5	22,0 - 32,0	15
M63x1,5	63,0	14,0	65	70	50,3	71,0	34,0 - 44,0	12
<b>Pg Thread (Attachment thread: DIN 40430)</b>								
Pg7	12,5	6,0	14	14	21,8	15,5	3,0 - 6,5	50
Pg9	15,2	6,0	17	17	22,6	18,9	4,0 - 8,0	50
Pg11	18,6	6,0	22	22	25,3	24,0	5,0 - 10,0	50
Pg13,5	20,4	6,5	22	22	24,1	24,5	6,0 - 12,0	50
Pg16	22,5	6,5	24	24	27,5	26,8	10,0 - 14,0	25
Pg21	28,3	7,2	30	30	31,2	33,0	13,0 - 18,0	25
Pg29	37,0	8,0	41	41	39,3	45,5	18,0 - 25,0	20
Pg36	47,0	9,0	50	50	47,2	55,5	22,0 - 32,0	15
Pg42	54,0	12,0	60	60	47,7	66,5	30,0 - 38,0	12
Pg48	59,3	14,0	65	65	52,0	71,0	34,0 - 44,0	12

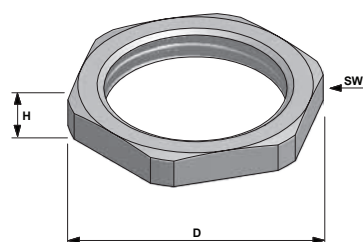
# Standard Lock Nuts



## Technical Details

Material: Brass, Nickel Plated

Size	Type	Code	EAN
<b>Metric Thread (Attachment thread: EN 60423)</b>			
M12x1,5	GMSB M12B	7017303	6418074043306
M16x1,5	GMSB M16B	7017304	6418074043313
M20x1,5	GMSB M20B	7017305	6418074043320
M25x1,5	GMSB M25B	7017306	6418074043337
M32x1,5	GMSB M32B	7017307	6418074043344
M40x1,5	GMSB M40B	7017308	6418074043351
M50x1,5	GMSB M50B	7017309	6418074043368
M63x1,5	GMSB M63B	7017311	6418074043382
M72x2,0	GMSB M72x2B	7017343	6418074075680
M75x2,0	GMSB M75x2B	7017748	6418074046079
M80x2,0	GMSB M80x2B	7017344	6418074075697
M85x2,0	GMSB M85x2B	7017345	6418074075703
M90x2,0	GMSB M90x2B	7017346	6418074075710
<b>Pg Thread (Attachment thread: DIN 40430)</b>			
Pg7	GMSB PG7B	7017454	6418074044013
Pg9	GMSB PG9B	7017455	6418074044020
Pg11	GMSB PG11B	7017456	6418074044037
Pg13,5	GMSB PG13.5B	7017457	6418074044044
Pg16	GMSB PG16B	7017458	6418074044051
Pg21	GMSB PG21B	7017459	6418074044068
Pg29	GMSB PG29B	7017460	6418074044075
Pg36	GMSB PG36B	7017461	6418074044082
Pg42	GMSB PG42B	7017462	6418074044099
Pg48	GMSB PG48B	7017463	6418074044105



Technical Information				
Size	SW mm	H mm	D mm	Pack qty
<b>Metric Thread (Attachment thread: EN 60423)</b>				
M12x1,5	15	2,8	16,6	100
M16x1,5	19	3,0	21,0	100
M20x1,5	24	3,5	26,5	100
M25x1,5	30	4,0	33,0	100
M32x1,5	36	5,0	39,5	50
M40x1,5	46	5,0	51,0	50
M50x1,5	60	5,0	66,0	10
M63x1,5	70	6,0	77,0	10
M72x2,0	77	7,0	86,0	10
M75x2,0	80	7,0	89,6	5
M80x2,0	90	8,0	99,3	5
M85x2,0	95	8,0	106,2	5
M90x2,0	100	8,0	112,0	5
<b>Pg Thread (Attachment thread: DIN 40430)</b>				
Pg7	15	2,8	16,6	100
Pg9	18	2,8	20,0	100
Pg11	21	3,0	23,5	100
Pg13,5	23	3,0	25,5	100
Pg16	26	3,0	29,0	100
Pg21	32	3,5	35,5	100
Pg29	41	4,0	45,0	50
Pg36	51	5,0	56,0	25
Pg42	60	5,0	66,0	10
Pg48	64	5,5	70,5	10

# EMC Lock Nuts

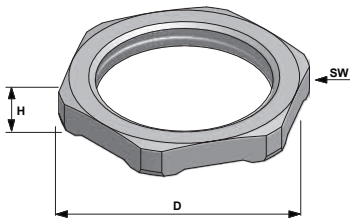
Special design shape for painted enclosures.



## Technical Details

Material: Brass, Nickel Plated

Size	Type	Code	EAN
<b>Metric Thread (Attachment thread: EN 60423)</b>			
M12x1,5	GMSB EMC M12B	7017756	6418074046154
M16x1,5	GMSB EMC M16B	7017757	6418074046161
M20x1,5	GMSB EMC M20B	7017758	6418074046178
M25x1,5	GMSB EMC M25B	7017759	6418074046185
M32x1,5	GMSB EMC M32B	7017760	6418074046192
M40x1,5	GMSB EMC M40B	7017761	6418074046208
M50x1,5	GMSB EMC M50B	7017762	6418074046215
M63x1,5	GMSB EMC M63B	7017763	6418074046222
<b>Pg Thread (Attachment thread: DIN 40430)</b>			
Pg7	GMSB EMC PG7B	7017922	6418074047816
Pg9	GMSB EMC PG9B	7017923	6418074047823
Pg11	GMSB EMC PG11B	7017924	6418074047830
Pg13,5	GMSB EMC PG13,5B	7017925	6418074047847
Pg16	GMSB EMC PG16B	7017926	6418074047854
Pg21	GMSB EMC PG21B	7017927	6418074047861
Pg29	GMSB EMC PG29B	7017928	6418074047878
Pg36	GMSB EMC PG36B	7017929	6418074047885
Pg42	GMSB EMC PG42B	7017930	6418074047892
Pg48	GMSB EMC PG48B	7017931	6418074047908



Technical Information				
Size	SW mm	H mm	D mm	Pack qty
<b>Metric Thread (Attachment thread: EN 60423)</b>				
M12x1,5	15	3,3	16,6	50
M16x1,5	19	3,5	21,0	50
M20x1,5	24	3,5	26,5	50
M25x1,5	30	3,5	33,0	25
M32x1,5	36	4,0	39,5	25
M40x1,5	46	4,6	51,0	20
M50x1,5	60	5,6	66,0	15
M63x1,5	70	6,7	77,0	12
<b>Pg Thread (Attachment thread: DIN 40430)</b>				
Pg7	15	3,3	16,6	50
Pg9	18	3,3	20,0	50
Pg11	21	3,5	23,5	50
Pg13,5	23	3,5	25,5	50
Pg16	26	3,5	29,0	25
Pg21	32	4,0	35,5	25
Pg29	41	4,6	45,0	20
Pg36	51	5,6	56,0	15
Pg42	60	5,6	66,0	12
Pg48	64	6,1	70,5	12

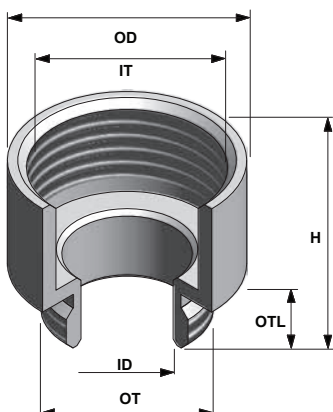
# Enlargers



## Technical Details

Material: Brass, Nickel Plated  
 Metric Thread (Attachment thread: EN 60423)  
 Pg Thread (Attachment thread: DIN 40430)

Type	Code	EAN	Technical Information						
			OT	IT	OTL mm	H mm	OD mm	ID mm	Pack qty
<b>Pg-Pg</b>									
GMSPPB PG7/PG9	7017371	6418074075284	Pg7	Pg9	5,0	15,0	17	10,0	100
GMSPPB PG9/PG11	7017372	6418074075291	Pg9	Pg11	6,0	16,5	20	12,5	100
GMSPPB PG9/PG13.5	7017373	6418074075307	Pg9	Pg13,5	6,0	17,5	22	12,5	100
GMSPPB PG11/PG13.5	7017374	6418074075314	Pg11	Pg13,5	6,0	17,5	22	15,0	100
GMSPPB PG11/PG16	7017375	6418074075321	Pg11	Pg16	6,0	18,5	24	15,0	100
GMSPPB PG13.5/PG16	7017377	6418074075345	Pg13,5	Pg16	6,5	19,0	24	17,0	100
GMSPPB PG13.5/PG21	7017378	6418074075352	Pg13,5	Pg21	6,5	21,0	30	17,0	50
GMSPPB PG16/PG21	7017379	6418074075369	Pg16	Pg21	6,5	21,0	30	18,5	50
GMSPPB PG21/PG29	7017381	6418074075383	Pg21	Pg29	7,0	23,0	39	24,0	50
GMSPPB PG29/PG36	7017382	6418074075390	Pg29	Pg36	8,0	27,5	50	32,0	25
GMSPPB PG36/PG42	7017383	6418074075406	Pg36	Pg42	9,0	31,0	57	42,0	10
GMSPPB PG42/PG48	7017384	6418074075413	Pg42	Pg48	10,0	33,0	64	48,0	10
<b>Metric-Pg</b>									
GMSMPB M12/PG9	7017385	6418074075420	M12x1,5	Pg9	6,0	16,5	17	8,0	100
GMSMPB M16/PG11	7017386	6418074075437	M16x1,5	Pg11	6,0	16,6	20	12,0	100
GMSMPB M20/PG16	7017387	6418074075444	M20x1,5	Pg16	6,0	19,5	24	15,0	50
GMSMPB M25/PG21	7017388	6418074075451	M25x1,5	Pg21	7,0	22,0	30	20,0	50
GMSMPB M32/PG29	7017389	6418074075468	M32x1,5	Pg29	8,0	24,5	39	26,0	50
GMSMPB M40/PG36	7017390	6418074075475	M40x1,5	Pg36	8,0	27,5	50	34,0	50
GMSMPB M50/PG42	7017391	6418074075482	M50x1,5	Pg42	9,0	31,0	57	44,0	10
GMSMPB M63/PG48	7017392	6418074075499	M63x1,5	Pg48	10,0	33,0	68	54,0	10
<b>Metric-Metric</b>									
GMSMMB M12/M16	7017393	6418074075505	M12x1,5	M16x1,5	5,0	15,0	18	8,0	100
GMSMMB M16/M20	7017394	6418074075512	M16x1,5	M20x1,5	6,0	17,5	22	12,0	100
GMSMMB M20/M25	7017395	6418074075529	M20x1,5	M25x1,5	6,5	19,0	27	15,0	50
GMSMMB M25/M32	7017396	6418074075536	M25x1,5	M32x1,5	6,5	21,0	34	20,0	50
GMSMMB M32/M40	7017397	6418074075543	M32x1,5	M40x1,5	7,0	23,0	42	26,0	50
GMSMMB M40/M50	7017398	6418074075550	M40x1,5	M50x1,5	9,0	31,0	53	35,0	10
GMSMMB M50/M63	7017399	6418074075567	M50x1,5	M63x1,5	9,0	31,0	66	44,5	10



## Index Explanations

OD: Outer diameter  
 ID: Inner diameter  
 OT: Outer thread  
 IT: Inner thread  
 OTL: Outer thread length  
 H: Height

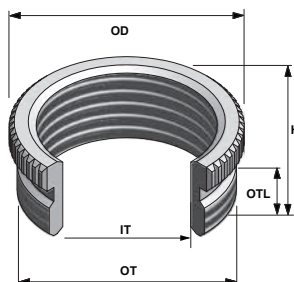
# Reducers



## Technical Details

Material : Brass, Nickel Plated  
 Metric Thread (Attachment thread: EN 60423)  
 Pg Thread (Attachment thread: DIN 40430)

Type	Code	EAN	Technical Information					
			OT	IT	OTL mm	H mm	OD mm	Pack qty
<b>Pg-Pg</b>								
GMSPPB PG9/PG7	7017551	6418074075758	Pg9	Pg7	6,0	8,5	17	100
GMSPPB PG11/PG7	7017552	6418074075765	Pg11	Pg7	6,0	8,5	20	100
GMSPPB PG11/PG9	7017553	6418074075772	Pg11	Pg9	6,0	8,5	20	100
GMSPPB PG13.5/PG7	7017554	6418074075789	Pg13,5	Pg7	6,5	9,0	22	100
GMSPPB PG13.5/PG9	7017227	6418074043269	Pg13,5	Pg9	6,5	9,0	22	100
GMSPPB PG13.5/PG11	7017555	6418074075796	Pg13,5	Pg11	6,5	9,0	22	100
GMSPPB PG16/PG7	7017556	6418074075802	Pg16	Pg7	6,5	9,5	24	100
GMSPPB PG16/PG9	7017557	6418074075819	Pg16	Pg9	6,5	9,5	24	100
GMSPPB PG16/PG11	7017558	6418074075826	Pg16	Pg11	6,5	9,5	24	100
GMSPPB PG16/PG13.5	7017559	6418074075833	Pg16	Pg13,5	6,5	9,5	24	100
GMSPPB PG21/PG11	7017560	6418074075840	Pg21	Pg11	7,0	10,0	30	50
GMSPPB PG21/PG13.5	7017561	6418074075857	Pg21	Pg13,5	7,0	10,0	30	50
GMSPPB PG21/PG16	7017562	6418074075864	Pg21	Pg16	7,0	10,0	30	50
GMSPPB PG29/PG16	7017564	6418074075888	Pg29	Pg16	8,0	11,5	39	50
GMSPPB PG29/PG21	7017565	6418074075895	Pg29	Pg21	8,0	11,5	39	25
GMSPPB PG36/PG21	7017566	6418074075901	Pg36	Pg21	9,0	12,5	50	25
GMSPPB PG36/PG29	7017567	6418074075918	Pg36	Pg29	9,0	12,5	50	10
GMSPPB PG42/PG29	7017568	6418074075925	Pg42	Pg29	10,0	14,0	57	10
GMSPPB PG42/PG36	7017569	6418074075932	Pg42	Pg36	10,0	14,0	57	10
GMSPPB PG48/PG36	7017570	6418074075949	Pg48	Pg36	10,0	14,0	64	10
GMSPPB PG48/PG42	7017571	6418074075956	Pg48	Pg42	10,0	14,0	64	10
<b>Metric-Metric</b>								
GMSMMB M16/M12	7017576	6418074076007	M16x1,5	M12x1,5	6,0	8,0	20	100
GMSMMB M20/M12	7017577	6418074076014	M20x1,5	M12x1,5	6,0	8,5	24	100
GMSMMB M20/M16	7017578	6418074076021	M20x1,5	M16x1,5	6,5	9,0	24	100
GMSMMB M25/M16	7017579	6418074076038	M25x1,5	M16x1,5	7,0	10,0	30	50
GMSMMB M25/M20	7017580	6418074076045	M25x1,5	M20x1,5	7,0	10,0	30	50
GMSMMB M32/M20	7017581	6418074076052	M32x1,5	M20x1,5	8,0	11,5	37	50
GMSMMB M32/M25	7017582	6418074076069	M32x1,5	M25x1,5	8,0	11,5	37	50
GMSMMB M40/M25	7017583	6418074076076	M40x1,5	M25x1,5	8,0	11,5	43	25
GMSMMB M40/M32	7017584	6418074076083	M40x1,5	M32x1,5	8,0	11,5	43	25
GMSMMB M50/M32	7017585	6418074076090	M50x1,5	M32x1,5	10,0	14,0	56	10
GMSMMB M50/M40	7017586	6418074076106	M50x1,5	M40x1,5	10,0	14,0	56	10
GMSMMB M63/M40	7017593	6418074076113	M63x1,5	M40x1,5	10,0	14,0	66	10
GMSMMB M63/M50	7017594	6418074076120	M63x1,5	M50x1,5	10,0	14,0	66	10



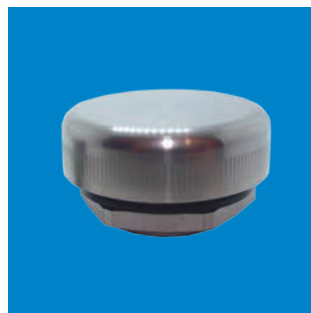
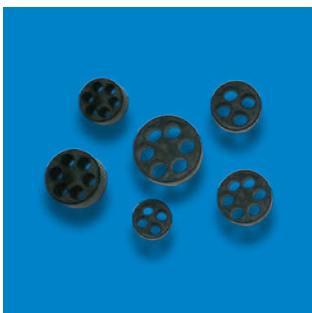
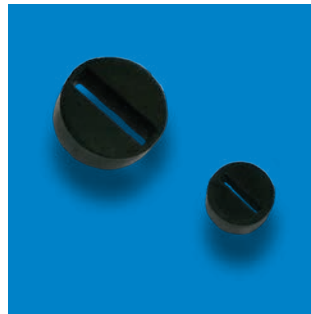
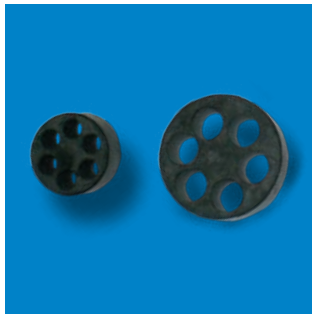
## Index Explanations

OD: Outer diameter  
 OT: Outer thread  
 IT: Inner thread  
 OTL: Outer thread length  
 H: Height

# Pressure Balance Elements and Ventilation Products

## Pressure Balance Elements and Ventilation Products

- Prevention of pressure increase inside the enclosure.  
The pressure sensitive elements are not threatened.
- Limiting of temperature increase by the air circulation.  
The temperature sensitive elements are not threatened.
- Added flexibility for maintenance, with use of ventilation plugs no vacuum forming inside the enclosure caused by temperature changes.
- Prevention of accidental water suction into the system.
- Prevention of exposure to hot, humid or compressed gases.





# Ventilation Plugs (Pressure Balance Elements)

In order to choose the right ventilation plug unit (pressure balance elements) for a specific application, the working principles of the unit must be known first.

Ventilation plugs are permeable to “gases and vapours, air etc.” but impermeable to “liquids and dust, water etc.” The permeability resistance to liquids depends on the pore size and structure of the membrane inside these devices.

If the working conditions of water (the most common liquid) are studied, it is possible to say that the water intrusion pressure goes down as air permeability increases. The relevant specifications are collected in tabulated data.

Of the relevant parameters, the “Pressure Balance” function depends on the differential pressure between the inner and the outer environments of the enclosure. As a reference pressure, 70 mBar (70mBar = 1 Psi) value is chosen to present data. Under normal conditions, air circulation exists for all differential pressure levels. But the volume flow rate is very low for smaller values and obviously increases by increasing pressure values. Of course the air flow rate also depends on the properties of the membrane (classified as standard, medium, high and ultrahigh permeability types).

If there is no water pressure danger (if the device is not immersed in the water), it is always better to choose high permeable elements for good circulation even for low differential pressure levels. In essence there is air circulation in the enclosure from inside to the outside when the device is heating up due to its operation. Similarly, a circulation in reverse direction occurs during the cooling period. It should also be noted that there is always a level of humidity in the air, hence some water in the form of vapour is also circulated within the air. However condensed water is blocked by the water repellent membrane unless the differential pressure exceeds the intrusion pressure threshold.

After this technical overview, the utility of the “Ventilation Plugs” can be listed as follows:

- **Prevention of pressure increase inside the enclosure.** The pressure sensitive elements are not threatened.
- **Limiting of temperature increase by the air circulation.** The temperature sensitive elements are not threatened.
- **Added flexibility for maintenance.** In traditional units, when the enclosures are heated, generally the dilated air goes out from the seals but cannot return back when the device is colder. Because of the vacuum formed inside the enclosure, the gaskets are exposed to large pressure levels. In result, it is very difficult to open the covers for maintenance. Especially in “luminaires” it is obligatory to change the bulbs when the device is cold. The ventilation plugs in our system prevent these kind of limitations.
- **Prevention of accidental water suction into the system.** During the cooling period, we know that there is air circulation from the outside to the inside. Hence, if the enclosure is wet from rain or due to other reasons, some water may be sucked inside the enclosure if there is no ventilation plug.
- **Prevention of exposure to hot, humid, compressed gases.** There is always a level of humidity in the enclosure due to atmospheric conditions. Hence when the device is hot, all the components will be exposed to a hot, humid and compressed environment without the ventilation plug.

To conclude, the ventilation plug can reduce and even fully eliminate the adverse effects of the humidity in the environment. Water drops at the bottom of the enclosure are normal, but the inherent damage becomes insignificant due to the existence of a ventilation plug.



# Ventilation Plugs (Pressure Balance Elements)

## Technical Details

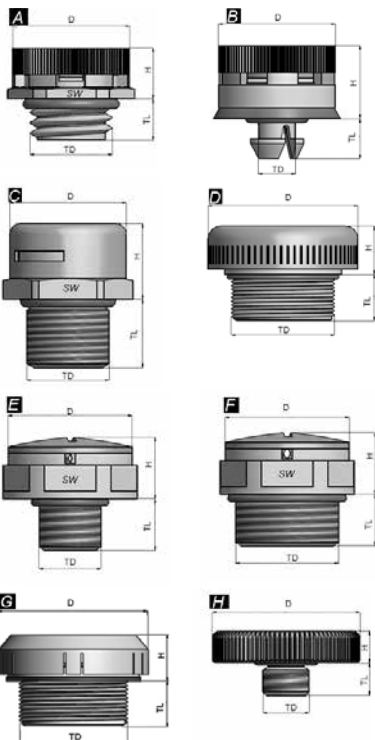
Housing Material	: PA6 - V2 or Stainless Steel / M4 Aluminium
Membrane Material	: Acrylic co-polymer on nylon support
Membrane Feature	: Hydrophobic - Oleophobic
Protection Degree	: IP 66/67/68*
Protection against water jet	: IP 69K
Air Flow Rates	: Refer to the chart
Working Temperatures	: -40°C to +105°C
Available Membrane Permeability	: S (standard) M (medium) : H (high) UH (ultra high)
O-rings	: Nitril Rubber

\*IP 68 is valid where the water intrusion pressure is higher than 0.1 Bars. Please refer to the chart.



### Ral 7035

Permeability Code	Thread Size	Type	Code	EAN	Pack qty
According to the chosen air permeability one of the letters (S-M-H-UH) have to be added before the code number. The codes shown in the table are M permeability	<b>Plastic</b>				
	M12x1,0	GVPPAB M12x1.0A	7017984	6418074048431	500
	M12x1,5	GVPPAB M12x1.5A	7017595	6418074076137	500
	M12x1,5	GVPPAB M12x1.5LA	7017596	6418074076144	500
	QUICK FIT	GVPPAB QUICKB	7017597	6418074076151	500
	M12x1,5	GVPPAB M12x1.5E	7017598	6418074076168	500
	M16x1,5	GVPPAB M16x1.5E	7017599	6418074076175	500
	M20x1,5	GVPPAB M20x1.5E	7017600	6418074076182	500
	M12x1,5	GVPPAB M12x1.5F	7017601	6418074076199	500
	M16x1,5	GVPPAB M16x1.5F	7017602	6418074076205	500
	M20x1,5	GVPPAB M20x1.5F	7017603	6418074076212	500
	M40x1,5	GVPPAB M40x1.5G	7017993	6418074048523	50
	<b>Metal</b>				
	M4x0,7	GVPMSB M4x0.7H	7017604	6418074076229	50
	Pg7	GVPMSB PG7C	7017605	6418074076236	50
	M12x1,0	GVPMSB M12x1.0C	7017606	6418074076243	50
	M12x1,5	GVPMSB M12x1.5LC	7017607	6418074076250	50
	M12x1,5	GVPMSB M12x1.5C	7017655	6418074045157	50
	M16x1,5	GVPMSB M16x1.5C	7017608	6418074076267	50
	M16x1,5	GVPMSB M16x1.5LC	7017609	6418074076274	50
M20x1,5	GVPMSB M20x1.5C	7017657	6418074045171	50	
M20x1,5	GVPMSB M20x1.5C	7017658	6418074045188	50	
M40x1,5	GVPMSB M40x1.5D	7017610	6418074076281	50	



Thread Size	Dimensions mm					$\Delta P = 1 \text{ Psi} = 70 \text{ m Bar}$ Average Air Permeability in lt/hour				Water Intrusion pressure in Bar				Plug Type	Recommended Hole Diam. (mm)
	TD	TL	H	D	SW	S	M	H	UH	S	M	H	UH		
<b>Plastic</b>															
M12x1,0	12,0	6,6	7,5	17,0	17	16	25	120	300	0,9	0,5	0,2	0,1	A	12,5
M12x1,5	12,0	6,0	7,5	17,0	17	16	25	120	300	0,9	0,5	0,2	0,1	A	12,5
M12x1,5	12,0	10,0	7,5	17,0	17	16	25	120	300	0,9	0,5	0,2	0,1	A	12,5
QUICK FIT	5,5	7,5	9,2	17,0	-	16	25	120	300	0,9	0,5	0,2	0,1	B	6,4
M12x1,5	12,0	7,5	12,5	22,0	22	20	35	180	450	0,9	0,5	0,2	0,1	E	12,5
M16x1,5	16,0	7,5	12,5	22,0	22	20	35	180	450	0,9	0,5	0,2	0,1	E	16,5
M20x1,5	20,0	7,5	12,5	22,0	22	20	35	180	450	0,9	0,5	0,2	0,1	E	20,5
M12x1,5	12,0	10,0	12,5	24,0	24	42	120	450	750	0,9	0,5	0,2	0,1	F	12,5
M16x1,5	16,0	10,0	12,5	24,0	24	42	120	450	750	0,9	0,5	0,2	0,1	F	16,5
M20x1,5	20,0	10,0	12,5	24,0	24	42	120	450	750	0,9	0,5	0,2	0,1	F	20,5
M40x1,5	40,0	18,0	19,0	60,0	-	120	375	1350	2200	0,9	0,5	0,2	0,1	G	40,5
<b>Metal</b>															
M4x0,7	4,0	7,0	3,1	12,3	-	4	7	35	100	0,9	0,5	0,2	0,1	H	4,3
Pg7	12,5	10,5	11,0	17,0	17	16	25	120	300	0,9	0,5	0,2	0,1	C	13,2
M12x1,0	12,0	10,0	11,0	17,0	17	16	25	120	300	0,9	0,5	0,2	0,1	C	12,5
M12x1,5	12,0	10,0	11,0	17,0	17	16	25	120	300	0,9	0,5	0,2	0,1	C	12,5
M12x1,5	12,0	6,0	15,2	17,0	17	16	25	120	300	0,9	0,5	0,2	0,1	C	12,5
M16x1,5	16,0	6,0	12,4	17,0	18	16	25	120	300	0,9	0,5	0,2	0,1	C	16,5
M16x1,5	16,0	6,0	16,5	17,0	18	16	25	120	300	0,9	0,5	0,2	0,1	C	16,5
M20x1,5	20,0	6,0	13,5	17,0	22	16	25	120	300	0,9	0,5	0,2	0,1	C	20,5
M20x1,5	20,0	6,0	17,0	17,0	22	16	25	120	300	0,9	0,5	0,2	0,1	C	20,5
M40x1,5	40,0	10,0	20,4	58,5	-	120	375	1350	2200	0,9	0,5	0,2	0,1	D	40,5

# Ventilation Glands (PA6)

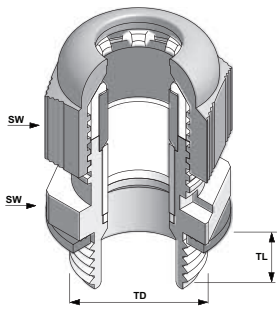


## Technical Details

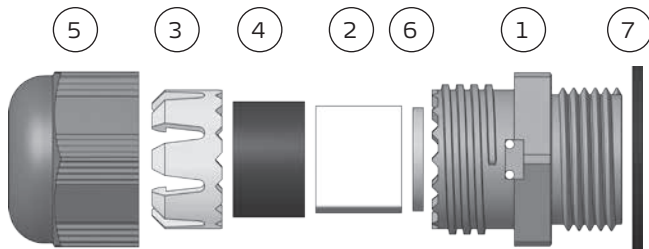
Material : Polyamide 6  
 Protection Class : IP 66/67/69  
 Oper. Temperature : -20°C to +80°C permanent  
 : -30°C up to +150°C intermittent  
 Seal : Chloroprene  
 Washer : NBR  
 Vent Element : PTFE

**Manufactured according to the requirements of EN 50262**

Ral 7035			Ral 9005		
Type	Code	EAN	Type	Code	EAN
<b>Metric Thread (Attachment thread: EN 60423)</b>					
GVPAB M12	7017106	6418074069177	GVPAB M12 9005	7017110	6418074069252
GVPAB M16	7017107	6418074069184	GVPAB M16 9005	7017111	6418074069276
GVPAB M20	7017108	6418074069214	GVPAB M20 9005	7017112	6418074069283
<b>Pg Thread (Attachment thread: DIN 40430)</b>					
GVPAB PG9	7017347	6418074075727	GVPAB PG9 9005	7017620	6418074076380
GVPAB PG13.5	7017109	6418074069221	GVPAB PG13.5 9005	7017113	6418074069313



Technical Information										
Size	Body SW mm	Cap SW mm	TD mm	TL mm	Clamping range For Cable mm		Average Air Flow For ΔP = 70 mB lt/h	Water Intrusion Pressure Bar	Water Immersion Depth m	Pack qty
					Min. Ø	Max. Ø				
<b>Metric Thread (Attachment thread: EN 60423)</b>										
M12x1,5	19	19	12,0	8	4	8	25	0,1	1	100
M16x1,5	19	19	16,0	10	4	8	25	0,1	1	50
M20x1,5	24	24	20,0	10	6	12	40	0,1	1	50
<b>Pg Thread (Attachment thread: DIN 40430)</b>										
Pg9	19	19	15,2	8	4	8	25	0,1	1	50
Pg13,5	24	24	20,4	10	6	12	40	0,1	1	50



ITEM	PART NAME
7	Washer
6	Inner washer
5	Plastic cap
4	Seal
3	Plastic insert
2	Filter
1	Plastic body

## Benefits of Fibox Cable Glands with Integrated Ventilation.

- Advantages of cable gland and pressure balance device combined in one product.
- Heat generated by electrical and electronic components in an enclosure, as well as fluctuating outside temperature, result in pressure differences.
- A semipermeable membrane inside the device allows air and humidity to leave the enclosure, however, doesn't allow dirt and water to enter from the outside.
- Properties of the membrane stay the same independent of cable diameter and torque.
- These polyamide cable glands have higher strain and torsion relief at lower cap nut tightening torque compared with same size standard cable glands.
- Heights of PA 6 cable glands with integrated ventilation are significantly less and have smaller volumes than same size standard cable glands. Suitable for smaller spaces.

# Ventilation Glands (Brass)



## Technical Details

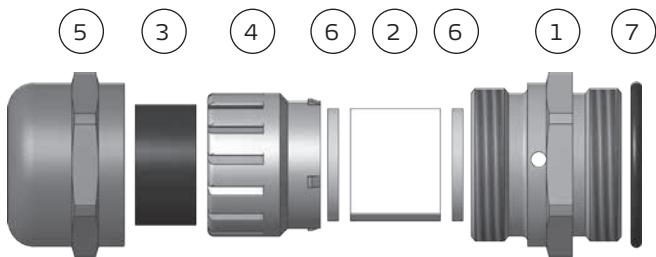
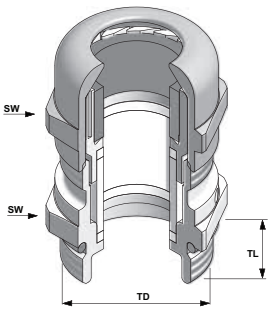
Material	: Brass Nickel Plated
Clamping insert	: Polyamide 6 V2
Protection Class	: IP 66/67/69
Oper. Temperature	: -20°C to +80°C permanent : -30°C up to +150°C intermittent
Seal	: Chloroprene
O-Ring (acc. requirements)	: NBR
Vent Element	: PTFE

**Manufactured according to the requirements of EN 50262**

Type	Code	EAN
<b>Metric Thread (Attachment thread: EN 60423)</b>		
GVMSB M12	7017114	6418074069320
GVMSB M16	7017115	6418074069351
GVMSB M16S	7017116	6418074069368
GVMSB M20	7017117	6418074069375
<b>Pg Thread (Attachment thread: DIN 40430)</b>		
GVMSB PG7	7017621	6418074076397
GVMSB PG9	7017118	6418074069382
GVMSB PG11	7017622	6418074076403
GVMSB PG13.5	7017119	6418074069399

## Technical Information

Size	Body SW mm	Cap SW mm	TD mm	TL mm	Clamping range For Cable mm		Average Air Flow For $\Delta P = 70$ mB	Water Intrusion Pressure	Water Immersion Depth	Pack qty
					Min. $\emptyset$	Max. $\emptyset$				
M12x1,5	17	17	12	8,0	4	8	25	0,1	1	50
M16x1,5	17	17	16	8,0	4	8	25	0,1	1	50
M16x1,5	20	20	16	7,0	5	10	35	0,1	1	50
M20x1,5	22	22	20	6,5	6	12	50	0,1	1	50
<b>Pg Thread (Attachment thread: DIN 40430)</b>										
Pg7	17	17	12,4	8,0	4	8	25	0,1	1	50
Pg9	17	17	15,2	6,0	4	8	25	0,1	1	50
Pg11	20	20	18,5	6,0	5	10	35	0,1	1	50
Pg13,5	22	22	20,4	6,5	6	12	50	0,1	1	50



ITEM	PART NAME
7	O-Ring
6	Inner washer
5	Brass cap
4	Upper plastic insert
3	Seal
2	Filter
1	Brass body

- Comply with EN 50262 and EN 60335.

- IP 66 and IP 67

- Air permeability of cable glands with integrated ventilation:  
The change of the air permeability in relative with the differential pressure ( $\Delta P$ ) is showed in the following table for Pg13,5 Brass Ventilation Gland  
 $\Delta P$  50 mbar 30 l/h  
 $\Delta P$  100 mbar 66 l/h  
 $\Delta P$  150 mbar 102 l/h  
 $\Delta P$  200 mbar 138 l/h  
 $\Delta P$  250 mbar 174 l/h  
 $\Delta P$  300 mbar 216 l/h  
 ( $\Delta P$  is the difference between interior/exterior enclosure pressure)

# Flat Cable Seals

## Technical Details

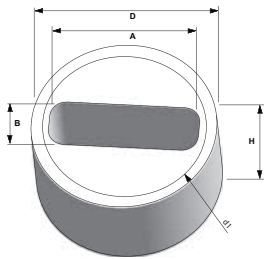
Material : NBR or Silicone

Color : Black or Red



(Black flat cable seals shown in the table)

Type	Code	EAN	Cable Gland Size	
			Metric	Npt
GFCB M25/PG21 19x5.8 mm	7017317	6418074077288	M25x1,5	NPT3/4"
GFCB M32/PG29 19x5.8 mm	7017318	6418074077295	M32x1,5	NPT1"
GFCB M32/PG29 22x7.8 mm	7017319	6418074077301	M32x1,5	NPT1"
GFCB M40/PG36 31x11 mm	7017321	6418074077318	M40x1,5	NPT1 1/4"
GFCB M40/PG36 31x5.5 mm	7017322	6418074077325	M40x1,5	NPT1 1/4"
GFCB M63/PG48 43x5.5 mm	7017323	6418074077332	M63x1,5	NPT2"
GFCB M63/PG48 43x11 mm	7017324	6418074077349	M63x1,5	NPT2"
GFCB M63/PG48 43x15.5 mm	7017326	6418074077356	M63x1,5	NPT2"



Technical Information					
A mm	B mm	d1 mm	D mm	H mm	Pack qty
19	5,8	18,8	22,9	12,2	500
19	5,8	25,5	30,4	14,0	500
22	7,8	25,5	30,4	14,0	500
31	11,0	33,0	40,0	17,0	500
31	5,5	33,0	40,0	17,0	500
43	5,5	45,2	51,0	18,5	500
43	11,0	45,2	51,0	18,5	500
43	15,5	45,2	51,0	18,5	500



### Technical Details

Material : NBR  
 Color : Black  
 Pack qty : 500 pieces

Type	Code	EAN	Cable Gland Size (PA)			Original Cable Range	mm
			Metric	Pg	Npt	mm	
GMHB M16E/PG9 2x4mm	7017232	6418074076540	M16x1.5E	Pg9	-	4,0-8,0	2,0 x 3,0
GMHB M16E/PG9 2x3mm	7017233	6418074076557	M16x1.5E	Pg9	-	4,0-8,0	2,0 x 4,0
GMHB M16E/PG9 4x3mm	7017234	6418074076564	M16x1.5E	Pg9	-	4,0-8,0	4,0 x 3,0
GMHB M16/PG11 2x4mm	7017235	6418074076571	M16x1.5	Pg11	NPT3/8"	5,0-10,0	2,0 x 2,0
GMHB M16/PG11 2x4.5mm	7017236	6418074076588	M16x1.5	Pg11	NPT3/8"	5,0-10,0	2,0 x 3,0
GMHB M16/PG11 2x2mm	7017237	6418074076595	M16x1.5	Pg11	NPT3/8"	5,0-10,0	2,0 x 4,0
GMHB M16/PG11 2x3mm	7017238	6418074076601	M16x1.5	Pg11	NPT3/8"	5,0-10,0	2,0 x 4,5
GMHB M16/PG11 2x5mm	7017239	6418074076618	M16x1.5	Pg11	NPT3/8"	5,0-10,0	2,0 x 5,0
GMHB M16/PG11 3x4mm	7017240	6418074076625	M16x1.5	Pg11	NPT3/8"	5,0-10,0	3,0 x 4,0
GMHB M20/PG13.5 2x6mm	7017241	6418074076632	M20x1.5 / M20x1.5E	Pg13,5	NPT1/2"	6,0-12,0	2,0 x 5,0
GMHB M20/PG13.5 3x4mm	7017242	6418074076649	M20x1.5 / M20x1.5E	Pg13,5	NPT1/2"	6,0-12,0	2,0 x 6,0
GMHB M20/PG13.5 3x5mm	7017243	6418074076656	M20x1.5 / M20x1.5E	Pg13,5	NPT1/2"	6,0-12,0	3,0 x 4,0
GMHB M20/PG13.5 4x3mm	7017244	6418074076663	M20x1.5 / M20x1.5E	Pg13,5	NPT1/2"	6,0-12,0	3,0 x 5,0
GMHB M20/PG13.5 2x5mm	7017245	6418074076670	M20x1.5 / M20x1.5E	Pg13,5	NPT1/2"	6,0-12,0	4,0 x 3,0
GMHB M20/PG13.5 4x4mm	7017246	6418074076687	M20x1.5 / M20x1.5E	Pg13,5	NPT1/2"	6,0-12,0	4,0 x 4,0
GMHB M20/PG16 2x6mm	7017247	6418074076694	M20x1.5	Pg16	NPT1/2"	10,0-14,0	2,0 x 4,0
GMHB M20/PG16 2x7mm	7017248	6418074076700	M20x1.5	Pg16	NPT1/2"	10,0-14,0	2,0 x 6,0
GMHB M20/PG16 3x4mm	7017249	6418074076717	M20x1.5	Pg16	NPT1/2"	10,0-14,0	2,0 x 7,0
GMHB M20/PG16 2x4mm	7017250	6418074076724	M20x1.5	Pg16	NPT1/2"	10,0-14,0	3,0 x 4,0
GMHB M20/PG16 4x5mm	7017251	6418074076731	M20x1.5	Pg16	NPT1/2"	10,0-14,0	3,0 x 6,0
GMHB M20/PG16 3x6mm	7017253	6418074076755	M20x1.5	Pg16	NPT1/2"	10,0-14,0	4,0 x 5,0
GMHB M20/PG16 5x4mm	7017254	6418074076762	M20x1.5	Pg16	NPT1/2"	10,0-14,0	5,0 x 4,0
GMHB M25/PG21 2x6mm	7017255	6418074076779	M25x1.5E	-	-	11,0-17,0	2,0 x 6,0
GMHB M25/PG21 2x6.6mm	7017256	6418074076786	M25x1.5E	-	-	11,0-17,0	3,0 x 5,0
GMHB M25/PG21 2x7mm	7017257	6418074076793	M25x1.5E	-	-	11,0-17,0	3,0 x 6,0
GMHB M25/PG21 2x8mm	7017258	6418074076809	M25x1.5E	-	-	11,0-17,0	3,0 x 7,0
GMHB M25/PG21 2x9mm	7017259	6418074076816	M25x1.5E	-	-	11,0-17,0	4,0 x 5,0
GMHB M25/PG21 3x6.6mm	7017260	6418074076823	M25x1.5E	-	-	11,0-17,0	5,0 x 4,0
GMHB M25/PG21 3x8mm	7017261	6418074076830	M25x1.5E	-	-	11,0-17,0	6,0 x 4,0
GMHB M25/PG21 4x6mm	7017262	6418074076847	M25x1.5E	-	-	11,0-17,0	7,0 x 3,0
GMHB M25/PG21 4x6.6mm	7017263	6418074076854	M25x1.5	Pg21	NPT3/4"	13,0-18,0	2,0 x 6,0
GMHB M25/PG21 4x7mm	7017264	6418074076861	M25x1.5	Pg21	NPT3/4"	13,0-18,0	2,0 x 6,6
GMHB M25/PG21 8x1.5mm	7017265	6418074076878	M25x1.5	Pg21	NPT3/4"	13,0-18,0	2,0 x 7,0
GMHB M25E 2x6mm	7017266	6418074076885	M25x1.5	Pg21	NPT3/4"	13,0-18,0	2,0 x 8,0
GMHB M25E 3x6mm	7017267	6418074076892	M25x1.5	Pg21	NPT3/4"	13,0-18,0	2,0 x 9,0
GMHB M25E 3x5mm	7017268	6418074076908	M25x1.5	Pg21	NPT3/4"	13,0-18,0	3,0 x 6,6
GMHB M25E 3x7mm	7017269	6418074076915	M25x1.5	Pg21	NPT3/4"	13,0-18,0	3,0 x 8,0
GMHB M25E 4x5mm	7017270	6418074076922	M25x1.5	Pg21	NPT3/4"	13,0-18,0	4,0 x 6,0
GMHB M25E 5x4mm	7017271	6418074076939	M25x1.5	Pg21	NPT3/4"	13,0-18,0	4,0 x 6,6
GMHB M25E 6x4mm	7017272	6418074076946	M25x1.5	Pg21	NPT3/4"	13,0-18,0	4,0 x 7,0
GMHB M25E 7x3mm	7017273	6418074076953	M25x1.5	Pg21	NPT3/4"	13,0-18,0	8,0 x 1,5

## Multihole Seals



Type	Code	EAN	Cable Gland Size (PA)			Original Cable Range mm	mm
			Metric	Pg	Npt		
GMHB M32/PG2 2x8mm	7017274	6418074076960	M32x1.5E	-	-	15,0-21,0	2,0 x 7,0
GMHB M32/PG2 2x9mm	7017275	6418074076977	M32x1.5E	-	-	15,0-21,0	2,0 x 8,0
GMHB M32/PG2 3x7.5mm	7017276	6418074076984	M32x1.5E	-	-	15,0-21,0	2,0 x 9,0
GMHB M32/PG2 3x8mm	7017277	6418074076991	M32x1.5E	-	-	15,0-21,0	3,0 x 8,0
GMHB M32/PG2 4x8mm	7017278	6418074077004	M32x1.5E	-	-	15,0-21,0	4,0 x 6,0
GMHB M32/PG2 5x8.5mm	7017279	6418074077011	M32x1.5E	-	-	15,0-21,0	4,0 x 7,0
GMHB M32/PG2 6x6mm	7017280	6418074077028	M32x1.5E	-	-	15,0-21,0	4,0 x 8,0
GMHB M32/PG2 6x7.5mm	7017281	6418074077035	M32x1.5E	-	-	15,0-21,0	5,0 x 6,0
GMHB M32/PG2 6x5mm	7017282	6418074077042	M32x1.5E	-	-	15,0-21,0	6,0 x 5,0
GMHB M32E 2x8mm	7017283	6418074077059	M32x1.5E	-	-	15,0-21,0	6,0 x 6,0
GMHB M32E 3x8mm	7017284	6418074077066	M32x1.5E	-	-	15,0-21,0	8,0 x 4,0
GMHB M32E 2x7mm	7017285	6418074077073	M32x1.5E	-	-	15,0-21,0	8,0 x 5,0
GMHB M32E 2x9mm	7017286	6418074077080	M32x1.5E	-	-	15,0-21,0	9,0 x 3,0
GMHB M32E 4x8mm	7017287	6418074077097	M32x1.5E	-	-	15,0-21,0	9,0 x 4,0
GMHB M32E 5x6mm	7017288	6418074077103	M32x1.5	Pg29	NPTI"	18,0-25,0	2,0 x 8,0
GMHB M32E 4x6mm	7017290	6418074077127	M32x1.5	Pg29	NPTI"	18,0-25,0	2,0 x 9,0
GMHB M32E 4x7mm	7017291	6418074077134	M32x1.5	Pg29	NPTI"	18,0-25,0	3,0 x 7,5
GMHB M32E 6x5mm	7017292	6418074077141	M32x1.5	Pg29	NPTI"	18,0-25,0	3,0 x 8,0
GMHB M32E 6x6mm	7017293	6418074077158	M32x1.5	Pg29	NPTI"	18,0-25,0	4,0 x 8,0
GMHB M32E 9x3mm	7017294	6418074077165	M32x1.5	Pg29	NPTI"	18,0-25,0	5,0 x 8,5
GMHB M32E 8x4mm	7017295	6418074077172	M32x1.5	Pg29	NPTI"	18,0-25,0	6,0 x 5,0
GMHB M32E 8x5mm	7017296	6418074077189	M32x1.5	Pg29	NPTI"	18,0-25,0	6,0 x 6,0
GMHB M32E 9x4mm	7017297	6418074077196	M32x1.5	Pg29	NPTI"	18,0-25,0	6,0 x 7,5
GMHB M40E 2x10mm	7017298	6418074077202	M40x1.5E	-	-	19,0-28,0	2,0 x 10,0
GMHB M40E 3x10mm	7017299	6418074077219	M40x1.5E	-	-	19,0-28,0	3,0 x 10,0
GMHB M40E 4x8mm	7017300	6418074077226	M40x1.5E	-	-	19,0-28,0	4,0 x 8,0
GMHB M40E 5x8mm	7017301	6418074077233	M40x1.5E	-	-	19,0-28,0	5,0 x 8,0
GMHB M40E 5x9mm	7017302	6418074077240	M40x1.5E	-	-	19,0-28,0	5,0 x 9,0
GMHB M40E 6x7mm	7017313	6418074077257	M40x1.5E	-	-	19,0-28,0	6,0 x 7,0
GMHB M40E 8x6mm	7017314	6418074077264	M40x1.5E	-	-	19,0-28,0	8,0 x 6,0
GMHB M40E 9x7mm	7017316	6418074077271	M40x1.5E	-	-	19,0-28,0	9,0 x 7,0

[www.fibox.com](http://www.fibox.com)

Fibox Oy Ab  
Keilaranta 19  
02150 Espoo  
Finland

Tel. +358 207 785 700  
Fax +358 207 785 702  
E-mail: [info@fibox.fi](mailto:info@fibox.fi)

Fibox Ltd  
Suite 25, Durham Tees Valley Business Centre  
Primrose Hill Industrial Estate  
Orde Wingate Way  
Stockton on Tees, TS19 0GD, England

Tel. +44 1642 604 400  
Fax +44 1642 604 600  
E-mail: [projects@fibox.co.uk](mailto:projects@fibox.co.uk)



Code 9637142