

Compression Load Cells



FEATURES

- Capacity range:
20K, 50K, 100K, 200K, 300K, and 500K lb
(9K, 13.6K, 22.7K, 45.4K, 90.7K, 136K, and 227K kg)
- Compact and rugged
- Operational: -30° to +175°F
- Low deflection
- Environmentally sealed
- NTEP Certificate of Conformance for Class III scale applications (20K to 200K)
- FM and CSA approved

OPTIONAL FEATURES

- Capacities greater than 500K lb (227K kg) - consult factory

DESCRIPTION

C2P1 load cells are designed for various types of weighing and force measurement. Construction of C2P1 load cells utilizes all of the advantages of SR-4® strain gages. C2P1 load cells meet or exceed NIST Handbook 44 requirements and are Factory Mutual approved. Also, the National Type Evaluation Program (NTEP) has issued Certificate of Conformance number 87-060 for C2P1 20K to 200K pound capacities.

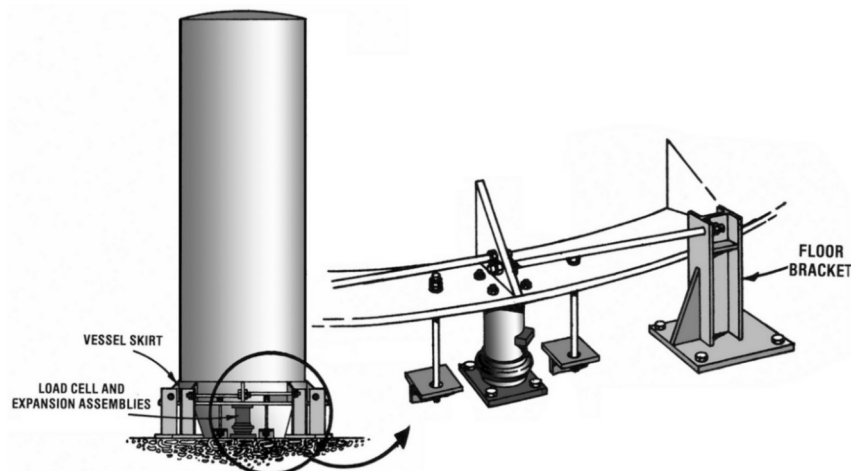
Double diaphragm fabrication and gage linearizing combine to offer precision performance and long term reliability. Low

deflection and superior sealing guarantee trouble-free operation. Relatively low mass and small deflection under load, produce excellent frequency response. Overall, C2P1 cells perform superbly in many services where other transducers cannot.

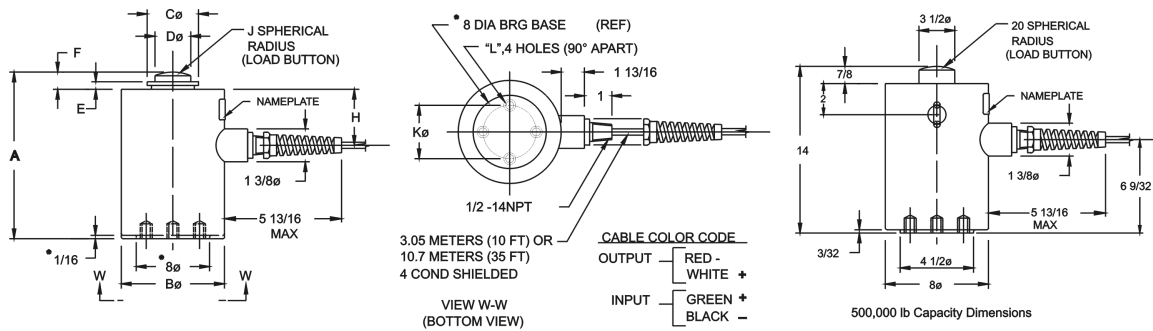
APPLICATIONS

- Coal silos
- Rail car weighing
- Truck scales
- Force measurement

CONFIGURATION



DIMENSIONS



CAP.	KILOGRAMS (POUNDS)	A	Bø	Cø	Dø	E	F	H	J	Kø B.C.	L (TAPPED)
9072 (20,000)	22.680 (50,000)	190.50 (7 1/2)	114.30 (4 1/2)	57.15 (2 1/4)	31.75 (1 1/4)	12.70 (1/2)	19.05 (3/4)	63.50 (2 1/2)	152.40 (6)	60.33 (2 3/8)	3/8 - 24UNF - 2B X 3/8 DP
45359 (100,000)		231.78 (9 1/8)	152.40 (6)	79.38 (3 1/8)	44.45 (1 3/4)	15.88 (5/8)	26.98 (1 1/16)	64.29 (2 17/32)	304.80 (12)	101.60 (4)	1/2 - 20UNF - 2B X 3/4 DP
90718 (200,000)		295.28 (11 5/8)	203.20 (8)	114.30 (4 1/2)	63.50 (2 1/2)			89.69 (3 17/32)		139.70 (5 1/2)	5/8 - 18UNF - 2B X 1 DP
136077 (300,000)		355.60 (14)	254 (10)	127 (5)	76.2 (3)	19.05 (3/4)	33.34 (1 5/16)	109.54 (4 5/16)	381 (15)		3/4 - 16UNF - 2B X 1 1/4 DP
500,000										3 1/2	1/2 - 20UNF - 2B X 3/4 DP

NOTE: CONFIGURATION & DIMS () ARE FOR 136077 Kg/(300,000 LB) CAP. ONLY 20K - 200K lb capacities have NTEP CoC

SPECIFICATIONS

Performance

Capacities	20K, 50K, 100K, 200K, 300K, and 500K lb (9K, 13.6K, 22.7K, 45.4K, 90.7K, 136K, and 227K kg)	
Rated Output (RO) 0.25%)	20K - 300K	500K
Repeatability	0.01% RO	0.02% RO
Combined Error	0.05% RO	0.08% RO
Zero Balance	1.0% RO	1.0% RO
Creep (20 minutes)	0.02% RO	0.03% RO
Temperature Effects:		
On Zero Balance	0.0015%RO/°F all capacities	
On Rated Output	0.0008%Load/°F all capacities	

Electrical

Recommended Excitation	10 Vac-dc
Input Resistance	350 ohms (+/-3.5)
Output Resistance	350 ohms (+/-3.5)
Cable Length	10 or 35 foot cable

Temperature

Safe Range	-30 to +175°F
Compensated Range	+30 to +130°F

Adverse Load Ratings

Safe Overload	150% rated capacity
Ultimate Overload	300% rated capacity

Material

Element	high grade tool steel
Cannister	low carbon steel, painted*

Sealing

Environmental Class	IP67
---------------------	------

Deflection

20K lb	0.0075 inches
50K lb	0.0065 inches
100K lb	0.0075 inches
200K lb	0.007 inches
300K lb	0.012 inches
500K lb	0.020 inches

Approvals

NTEP	Class III L, 4,500 divisions
FM/CSA Intrinsically Safe	Class I, II, III; Division 1, Groups A-G
FM/CSA Nonincendive	Class I, Division 2, Groups A-D

BLH is continually seeking to improve product quality and performance. Specifications may change accordingly.

*single component, waterborne polyurethane copolymer - high gloss.

Disclaimer

ALL PRODUCTS, PRODUCT SPECIFICATIONS AND DATA ARE SUBJECT TO CHANGE WITHOUT NOTICE.

Vishay Precision Group, Inc., its affiliates, agents, and employees, and all persons acting on its or their behalf (collectively, "Vishay Precision Group"), disclaim any and all liability for any errors, inaccuracies or incompleteness contained herein or in any other disclosure relating to any product.

The product specifications do not expand or otherwise modify Vishay Precision Group's terms and conditions of purchase, including but not limited to, the warranty expressed therein.

Vishay Precision Group makes no warranty, representation or guarantee other than as set forth in the terms and conditions of purchase. **To the maximum extent permitted by applicable law, Vishay Precision Group disclaims (i) any and all liability arising out of the application or use of any product, (ii) any and all liability, including without limitation special, consequential or incidental damages, and (iii) any and all implied warranties, including warranties of fitness for particular purpose, non-infringement and merchantability.**

Information provided in datasheets and/or specifications may vary from actual results in different applications and performance may vary over time. Statements regarding the suitability of products for certain types of applications are based on Vishay Precision Group's knowledge of typical requirements that are often placed on Vishay Precision Group products. It is the customer's responsibility to validate that a particular product with the properties described in the product specification is suitable for use in a particular application.

No license, express, implied, or otherwise, to any intellectual property rights is granted by this document, or by any conduct of Vishay Precision Group.

The products shown herein are not designed for use in life-saving or life-sustaining applications unless otherwise expressly indicated. Customers using or selling Vishay Precision Group products not expressly indicated for use in such applications do so entirely at their own risk and agree to fully indemnify Vishay Precision Group for any damages arising or resulting from such use or sale. Please contact authorized Vishay Precision Group personnel to obtain written terms and conditions regarding products designed for such applications.

Product names and markings noted herein may be trademarks of their respective owners.