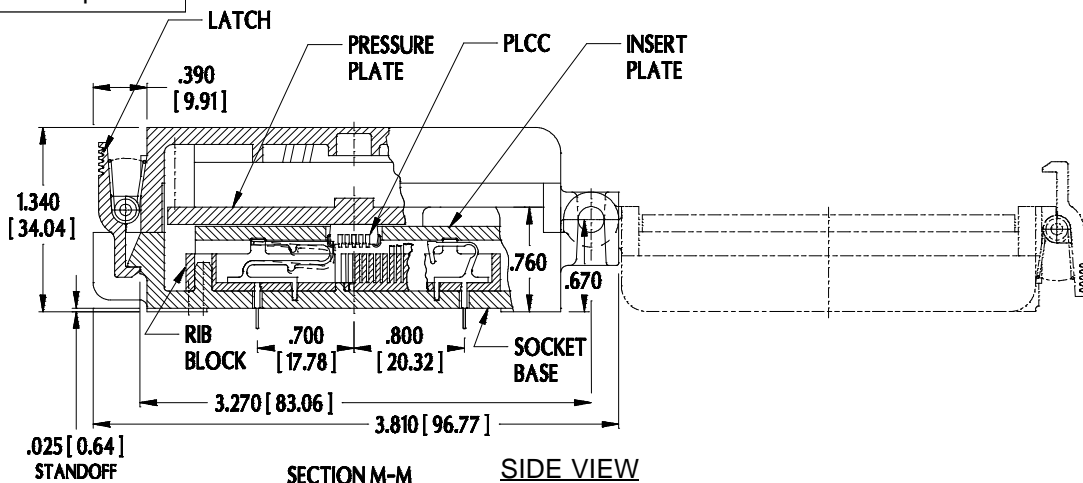


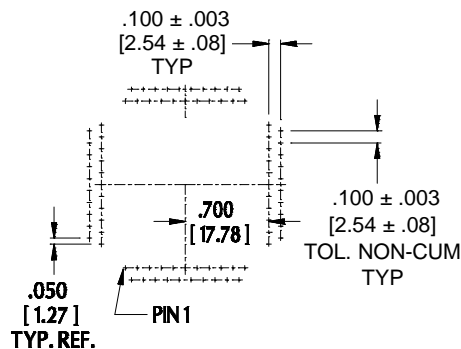
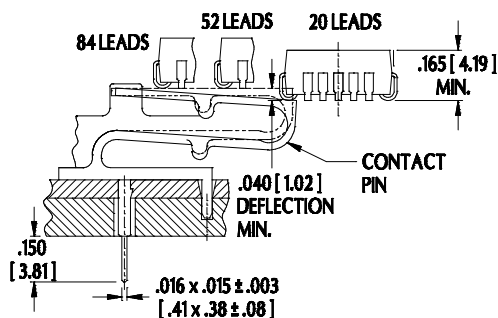


Series 537 Universal PLCC ZIF Test Socket "Live Bug" Type (cont.)

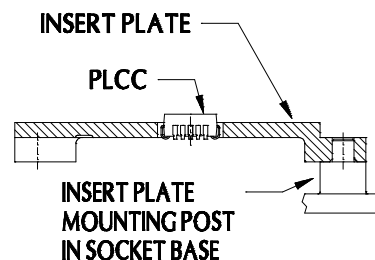
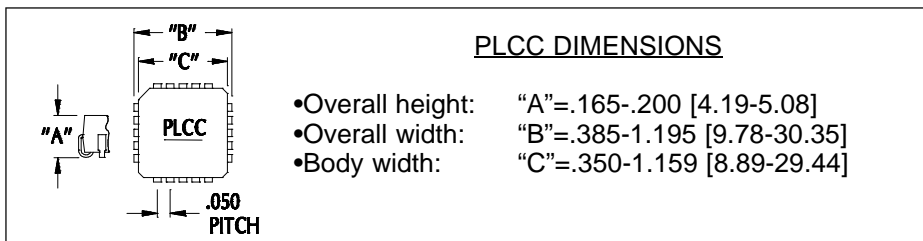
All tolerances $\pm .005$ [.13]
unless otherwise specified



CONTACT DETAIL



Top View Footprint
84 Pin Terminals



ORDERING INFORMATION

Specify Part No.
84-537-21 when ordering

Specify Part No.
84-537-21-7 when ordering with
all seven insert plates

7 Insert plates
XX-537-20 are available
for each PLCC lead
count. Consult Data
Sheet No. 10012.

See Data Sheet No. 10010
for additional information.



NORTH AMERICA
Frenchtown, NJ USA
TEL: (908) 996-6841
FAX: (908) 996-3891



EUROPE
TEL: +44 870 240 0249
FAX: +44 871 919 6033
europe@arieselec.com

10011
REV.C