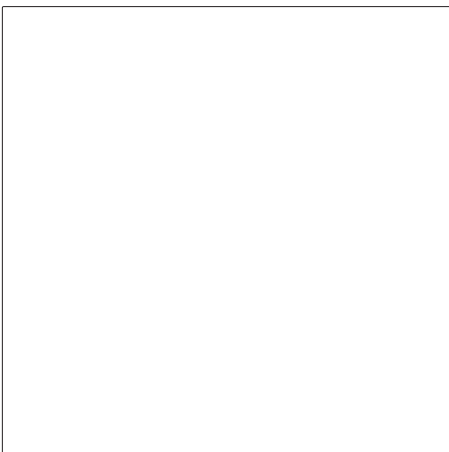
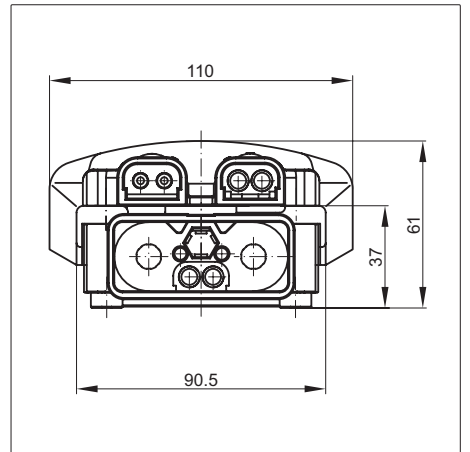
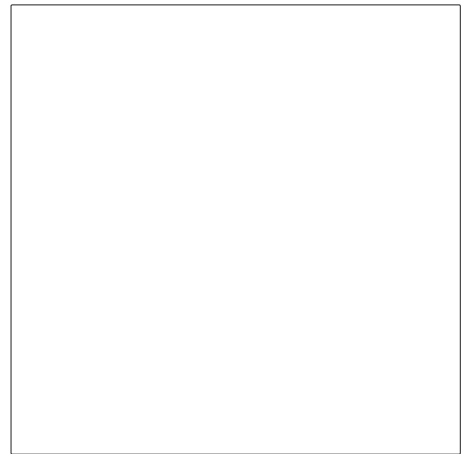


Multifunctional adapters for LV160 and LV320 Series charging connectors



Multifunctional adapters for LV160 and LV320 Series charging connectors

Modular design of LV charging connectors extended

For companies which maintain their own lift truck fleet, battery management is crucial in sustaining truck uptime in their distribution centres.

Thanks to the modular design of the LV Series charging connectors Schaltbau can offer a flexible, scalable solution for the vehicle - battery - charger constellation.

Our new multifunctional adapter allows automatic water topping up of the battery cells through the coupled connector during the charge. For this purpose module holders can be attached to the connector shell in various positions

Adapters available for the individual configuration of the charging connector that suits best your battery system:

● Pilot contact adapter

Fitted with 2 contacts the adapter can be used for providing a data link between battery and charger

● Air tube adapter

Air blow-in system for batteries with electrolyte circulation

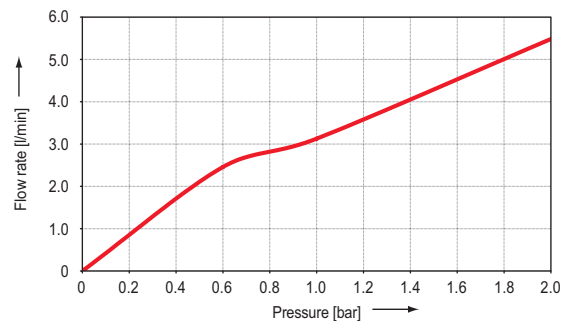
● Multifunctional adapter

Multi purpose adapter for water top up and electrolyte circulation systems. The new feature that the flow of air and/or water is shut off when the connector is unmated ensures that no acid particles enter the interior of the vehicle.

to accommodate the adapters. This highly flexible solution includes the standard features of an optimized, ecological battery management:

- Topping up water in batteries
- Electrolyte circulation: low rate airflow is sent into the battery cells which prevents electrolyte stratification; airflow shut off when connector is disengaged
- Providing a data link between battery and charger via auxiliary and pilot contacts
- Battery charging with high continuous current-carrying capacity due to high-quality main contacts

Multifunctional adapter: Flow rate during water top up [litre/minute] depending on pressure [in bar]



Specifications

Series LV160, LV320

	Multifunctional adapter	Air tube adapter	Pilot contact adapter
Assembly options *1			
Where to assemble	1 inside charging connector	2 in module holder on ⊕ side of charging connector	3 in module holder on ⊖ side of charging connector
Adapter used for	Water top up Electrolyte circulation system (ECS)	Electrolyte circulation system (ECS)	2 pilot contacts
Special feature	Flow of air or water shut off when not mated	Airflow not shut off when not mated	
Wire/tube cross-section	6 x 1.5 mm *2, *3	6 x 1.5 mm *2	2.5 mm ²
Contact diameter	---	---	4 mm
Max. current-carrying capacity	---	---	20 A
Tightness	4 bar max.	1 bar max.	---
Flow rate	see above diagram	800 l/h *4	---
Acid resistance	1.38 g/cm ³ battery acid	1.38 g/cm ³ battery acid	1.38 g/cm ³ battery acid
Degree of protection (IEC 60529) *5	IP23	IP23	IP23
Operating temperature range	>0 °C *6 ... +65 °C	>0 °C *6 ... +65 °C	-40 °C ... +110 °C
Mating cycles (EN 1175-1)	5,000	5,000	5,000

*1 Depends on the number of module holders attached to the connector, see also "Ordering code" on page 4 and "Mounting options for module holders" on page 5

*2 Schaltbau has verified full functionality with the use of tube type Rauclair E6/1,5 from Rehau

*3 Tube pre-assembled, length 200 mm

*4 Leakage of pressure 30 mbar max. depending on flow rate

*5 Tested when mounted horizontally

*6 Please note that the water carrying parts of the connector must be kept free from freezing

Ordering code

Stock items

Series LV160, LV320

Example:

LV320-N-S70-0-2-M2-HW1-W1

Series	Rated operating current Main contacts 250 A Main contacts 400 A
LV160	
LV320	
Keying	
0	none
T	---
N	grey, for wet-cell battery
Main contacts, wire cross-section*¹	
	Series LV320
P95	pin, 95 mm ²
P70	pin, 70 mm ²
P50	pin, 50 mm ²
	Series LV160
P50	pin, 50 mm ²
	Series LV320
S95	socket, 95 mm ²
S70	socket, 70 mm ²
S50	socket, 50 mm ²
	Series LV160
S50	socket, 50 mm ²
Pilot contacts*²	
0	none
2	two pilot contacts, adapter included)
4	four pilot contacts, 2 adapters included)
Auxiliary contacts	
0	none
2	two auxiliary contacts (no adapter needed)
Adapters	
L0	none * ³
L1	air tube adapter
M1	multifunctional adapter, clamping ring for tube included
A1	comprising both L1 and M1
Handle	
H0	none
HW1/S	handle for use with module holders, black
HW2/S	handle for use with module holders, red
Module holder*⁴	
W0	none
W1	twin module holder, top mounted

The tables represent our stock items which can be supplied in short delivery time.

LV320 series with main contacts, 95 mm²

Connector	Ordering code	Description / Application
Battery receptacle	LV320-N-S95-0-0-M1-HW1-W0	multifunctional adapter
	LV320-N-S95-0-0-A1-HW1-W1	air tube and multifunct. adapter
	LV320-N-S95-0-0-L1-HW1-W0	air tube adapter for ECS ⁵
Charging plug	LV320-N-P95-0-0-M1-HW1-W0	multifunctional adapter
	LV320-N-P95-0-0-A1-HW1-W1	air tube and multifunct. adapter
	LV320-N-P95-0-0-L1-HW1-W0	air tube adapter for ECS ⁵

LV320 series with main contacts, 70 mm²

Connector	Ordering code	Description / Application
Battery receptacle	LV320-N-S70-0-0-M1-HW1-W0	multifunctional adapter
	LV320-N-S70-0-0-A1-HW1-W1	air tube and multifunct. adapter
	LV320-N-S70-0-0-L1-HW1-W0	air tube adapter for ECS ⁵
Charging plug	LV320-N-P70-0-0-M1-HW1-W0	multifunctional adapter
	LV320-N-P70-0-0-A1-HW1-W1	air tube and multifunct. adapter
	LV320-N-P70-0-0-L1-HW1-W0	air tube adapter for ECS ⁵

LV320 series with main contacts, 50 mm²

Connector	Ordering code	Description / Application
Battery receptacle	LV320-N-S50-0-0-M1-HW1-W0	multifunctional adapter
	LV320-N-S50-0-0-A1-HW1-W1	air tube and multifunct. adapter
	LV320-N-S50-0-0-L1-HW1-W0	air tube adapter for ECS ⁵
Charging plug	LV320-N-P50-0-0-M1-HW1-W0	multifunctional adapter
	LV320-N-P50-0-0-A1-HW1-W1	air tube and multifunct. adapter
	LV320-N-P50-0-0-L1-HW1-W0	air tube adapter for ECS ⁵

LV160 series with main contacts, 50 mm²

Connector	Ordering code	Description / Application
Battery receptacle	LV160-N-S50-0-0-M1-HW1-W0	multifunctional adapter
	LV160-N-S50-0-0-A1-HW1-W1	air tube and multifunct. adapter
	LV160-N-S50-0-0-L1-HW1-W0	air tube adapter for ECS ⁵
Charging plug	LV160-N-P50-0-0-M1-HW1-W0	multifunctional adapter
	LV160-N-P50-0-0-A1-HW1-W1	air tube and multifunct. adapter
	LV160-N-P50-0-0-L1-HW1-W0	air tube adapter for ECS ⁵

Special variant

If you need a special variant of the charging connector, please do not hesitate to contact us. Maybe the type of connector you are looking for is among our many special designs. If not, we can also supply customized designs. In this case, however, minimum ordering quantities apply.

*¹ For AWG sizes refer to the conversion table on our homepage

*² Additional contacts. Module holder needed for assembly of additional adapter in connector shell.

*³ Please note that our charging connectors are designed to be fitted with air feed and water supply modules for use with electrolyte circulation and water refilling systems.

*⁴ When assembling additional adapters such as pilot contact, air tube, or multifunctional adapters, please note that the top mounted twin module holder can accommodate two adapters.

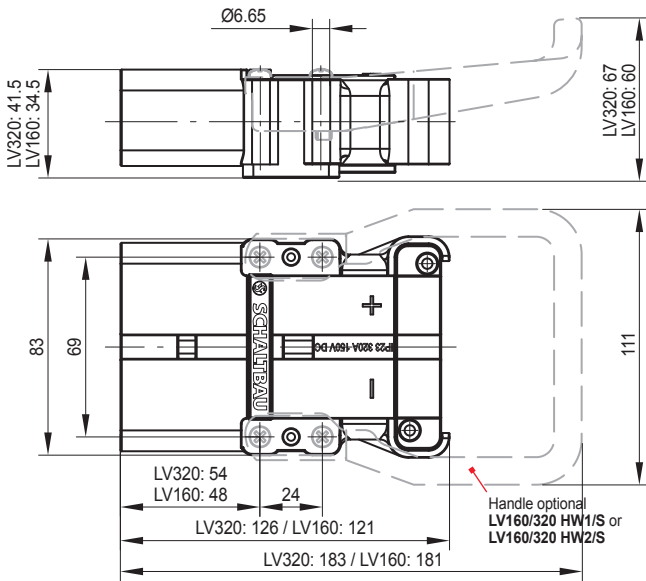
*⁵ ECS for electrolyte circulation system

Dimension diagrams:

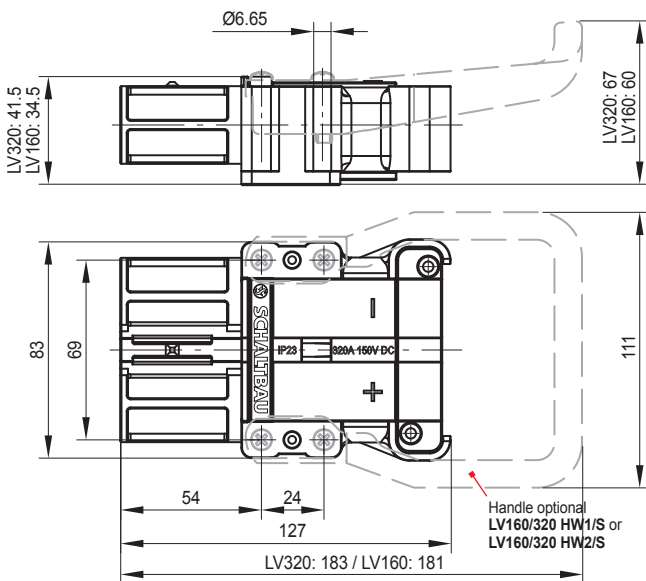
The diagrams show the side and top view of the charging plug and battery receptacle. For detailed information of the LV Series charging connector, refer to

Option W0: No module holder mounted

Charging plug with screw-on handle



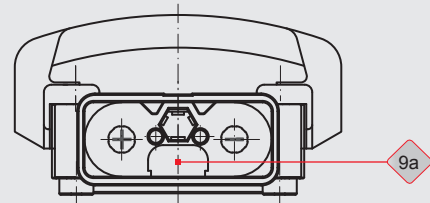
Battery receptacle with screw-on handle



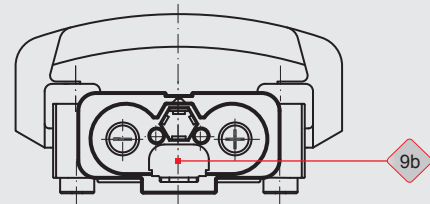
Mounting Options:

Module holders are designed for accommodating multifunctional adapters or additional pilot contact and air tube adapters. The twin module holder mounted on top of the plug or receptacle shell can hold two adapters.

Option W0: No module holder mounted

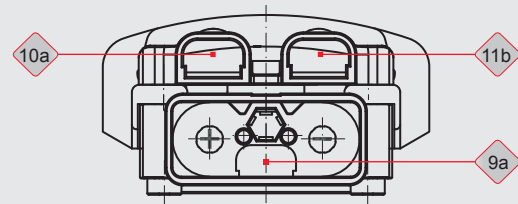


Plug shell without module holder

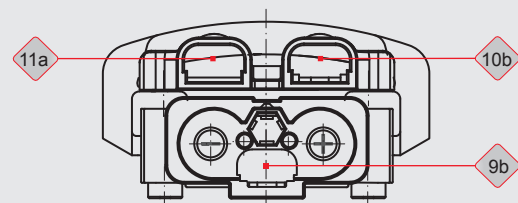


Receptacle shell without module holder

Option W1*: Twin module holder, mounted on top



Plug shell with twin module holder



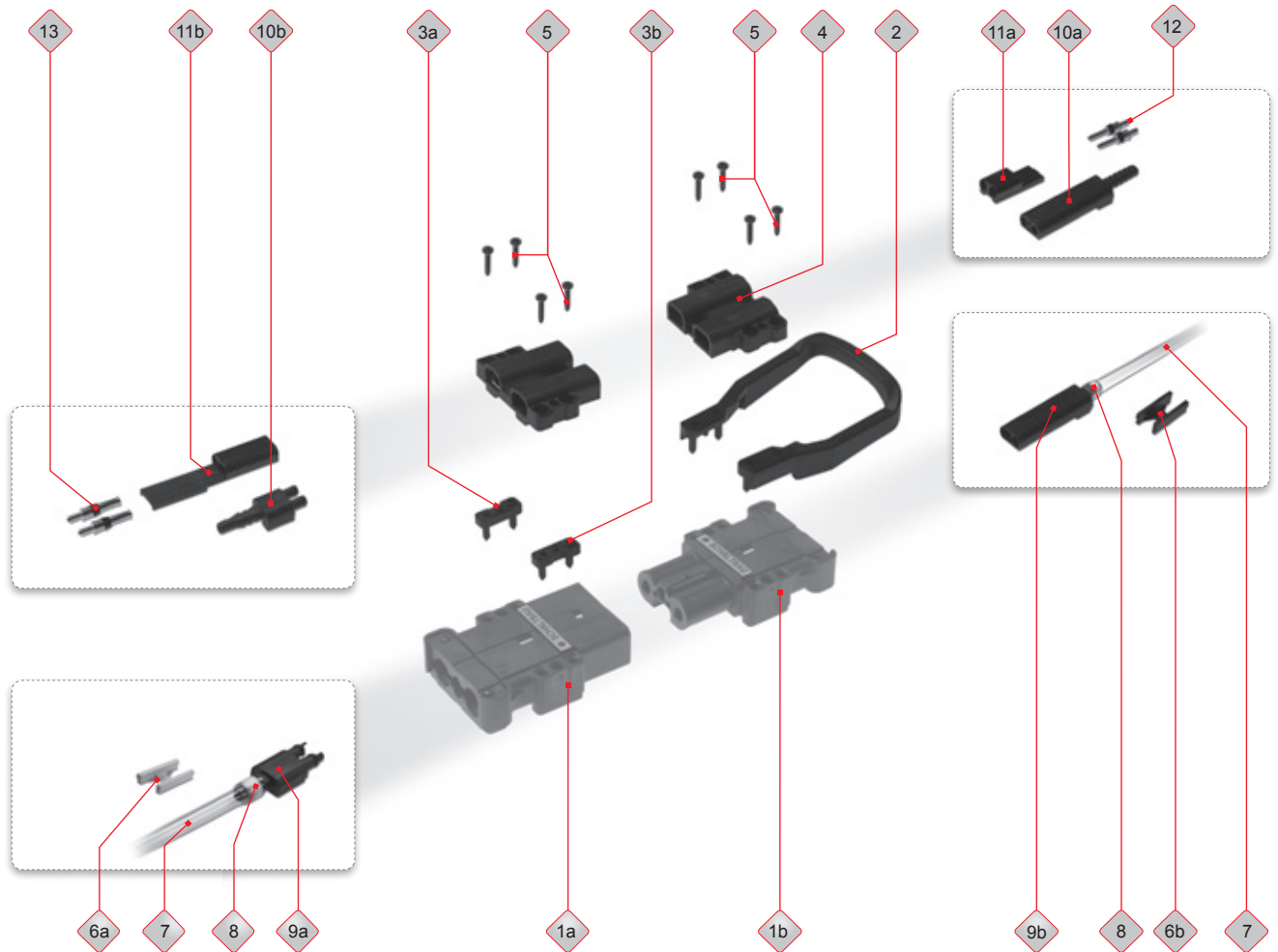
Receptacle shell with twin module holder

The figures show the mounting options of the adapters for the plug and receptacle shell and of the twin module holder respectively. The connector shell and module holder can be fitted with adapters 9a/9b, 10a/10b or 11a/11b, see opposite page for identification.

* Configuration W1 is interchangeable with REMA, APP and Proconnect type connectors and can be assembled with the module holders of these manufacturers. No warranty, however, due to lack of dimensional standardization!

Multifunctional adapters Individual components, Spare parts

Series LV160/LV320



Item	Identification	Ordering code		Description
		LV160 Series	LV320 Series	
1a 1b	Plug shell Receptacle shell	LV160 x-Pxx-_-x-_-_- LV320 x-Sxx-_-x-_-_-	LV320 x-Pxx-_-x-_-_- LV320 x-Sxx-_-x-_-_-	Charging plug Battery receptacle } see configuration tool on homepage or catalogue A84.en
2	Handle (screw-on)	black red	LV160/320 HW1 LV160/320 HW2	screw-on handle for plug and receptacle shell
3a 3b	Spacer, marked L Spacer, marked R		LV160/320 MA-L LV160/320 MA-R	required for top mounting of twin module holder on connector used without handle
4	Twin module holder		LV160/320 MT-M	fits with adapters marked S and P resp.
5	Screw for top mounted twin module holder		SC 5.5x25	4x screw 5.5x25 for mounting the handle in combination with the twin module holder. When mounting the handle alone, use screws according to item 8a.
6a 6b	Spacer for multifunctional adapter	plug receptacle	LV160/320 DS-WP LV160/320 DS-WS	Spacer for securing of multifunctional adapter (Pos. 9a, 9b) in plug shell (Pos. 1a) and receptacle shell (Pos. 1b)
7	Tube		PVC tube 6x1.5	Tube 6 x 1.5, length 200 mm
8	Clamping ring		NW6	Clamping ring for securing connection of tube to multifunctional adapter, item 9a/9b
9a 9b	Multifunctional adapter , marked P marked S		LV160/320 WK-P LV160/320 WK-S	for use with electrolyte circulation and water top up systems for tubes with inside diameter 6 mm
10a 10b	Air tube adapter , marked P marked S		LV160/320 LV-P LV160/320 LV-S	for use with electrolyte circulation systems, for air feed tubes with inside diameter 6 mm
11a 11b	Pilot contact adapter , marked P marked S		LV160/320 PA-P LV160/320 PA-S	Insert for pin contacts Insert for socket contacts
12	Pilot contact , 2.5 mm ²	Pin	SCC-2.5-Ag	2x pilot contact for charging plug
13	Pilot contact , 2.5 mm ²	Socket	BCC-2.5-Ag	2x pilot contact for battery receptacle

Assembly Multifunctional, air tube, and pilot contact adapters

LV160/LV320 Series

Assembly in module holder:

Air tube adapter: We recommend assembly of air tube adapter on ⊕ side of connector (plug shell: module holder marked P, receptacle shell: module holder marked S)

Pilot contact adapter: always assemble on ⊖ side of connector (plug shell: module holder marked S, receptacle shell: module holder marked P), see figure below.

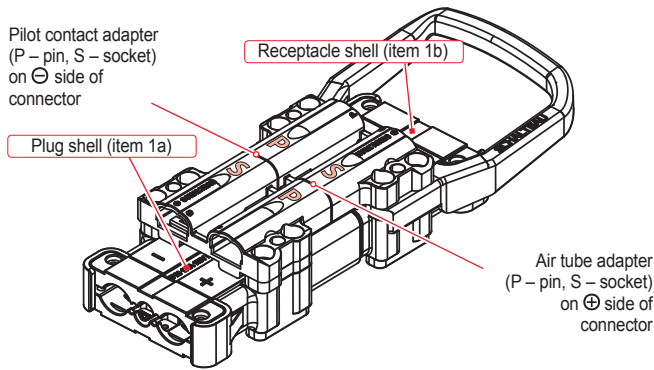
Assembly in connector shell:

Multifunctional adapters*: are assembled without module holder directly in the connector shell.

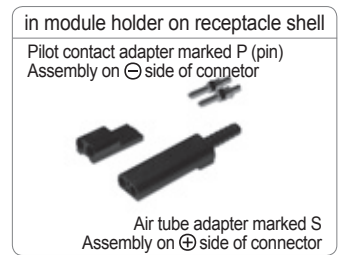
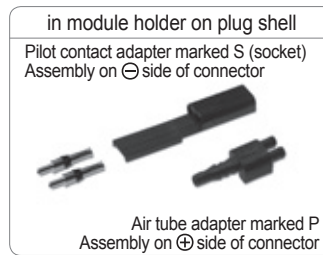
* Multifunctional adapters are delivered pre-assembled with tube, size 6x1.5, length 200 mm, in connector shell 1a and 1b respectively.

Where to assemble the adapters:

- **Pilot contact adapter:**
on the ⊖ side of connector in module holder
- **Air tube adapter:**
on the ⊕ side of connector in module holder
- **Multifunctional adapter*:**
in the connector shell



Assembly of pilot contact and air tube adapter:



Multifunctional adapter*:



Tube marking

General rule

Contents in tubes, pipes and containers shall be marked in colour with flow direction, danger symbol for labelling hazardous substances, and text.

Marking

Tubes connected to the charging connectors are to be marked thus:

Symbol	Description / Features
	Water top up, colour: GREY Connecting tube for multifunctional adapter
	Electrolyte circulation, colour: BLUE Connecting tube for multifunctional adapter or air tube adapter

How to order

Please order the appropriate tube marking for

- **Water top up**
- **Electrolyte circulation**

directly from:

Stell GmbH • Raiffeisenring 35-37 • 46395 Bocholt
Tel.: +49 28 71 70 02-0 • Fax: +49 28 71 70 02-72

Safety instruction

LV160, LV320 Series

Disconnecting when live or under load

When unmating the connector when live or under load, an arc is generated. That is why disconnecting under load is prohibited in the neighbourhood of explosives and other ignition sources.

Maintenance instructions

LV160/LV320 Series

Visual inspection

Be sure to conduct visual inspections regularly.

Improper handling of the connector, e.g. when connector is dropped - hitting the floor with some impact - this can result in breakage, visible cracks and deformation.



Check connector regularly and replace any defective and/or leaky parts promptly!

Keep the charging connector clean, dry, and free from grease, oil, and dirt. This is true for all individual parts of the connector including all types of module holders and adapters.

*1 Schaltbau has verified full functionality with the use of tube type Rauclair E6/1.5 from Rehau.

*2 Note: To avoid damaging the tube in the procedure the use of some water, soapsuds or proper tool may be advisable.

Assembly of LV Series charging connector

Assemble the LV Series charging connector (item 1a, and 1b) using proper crimping tools. For assembly instructions please refer to catalogue A84.en on our LV Series charging connectors«.

Multifunctional adapter (item 9a/9b)

The multifunctional adapter comes pre-assembled in the plug shell (item 1a) and receptacle shell (item 1b) respectively with tube (item 7a) size 6 x 1.5 and length 200 mm, with mounted clamping ring and spacer.

Pilot contact adapter / air tube adapter

For assembly of item 10a/b, and 11a/b refer to the instructions on page 15 of catalogue A84.en on our LV Series charging connectors.


Assembly of adapters in module holder (item 4)

Insert pre-assembled pilot contact and air tube adapter resp. in module holder (item 4) until locked in place.

Always assemble air tube adapter on ⊕ side, and pilot contact adapter on ⊖ side of connector, see page 6.

Module holders are marked S and P and by a cast-in mould lettering of the ordering code. The same is true for the adapters.

Module holder mounted on	⊕ side of connector: Air tube adapter (item 10a/10b)	⊖ side of connector: Pilot contact adapter (item 11a/11b)
Plug shell	LV160/320 LV-P	LV160/320 PA-P
Receptacle shell	LV160/320 LV-S	LV160/320 PA-S

 **Note:** Please see to it that you fit the adapter into the module holder with the matching label, see above table of reference.


Mounting of twin module holder (item 4)

with handle:

Before mounting twin module holder (item 4, see also option W1 on page 4) snap handle onto connector shell. Place module holder on top of handle and tighten them together using the four screws (item 5).


without handle:

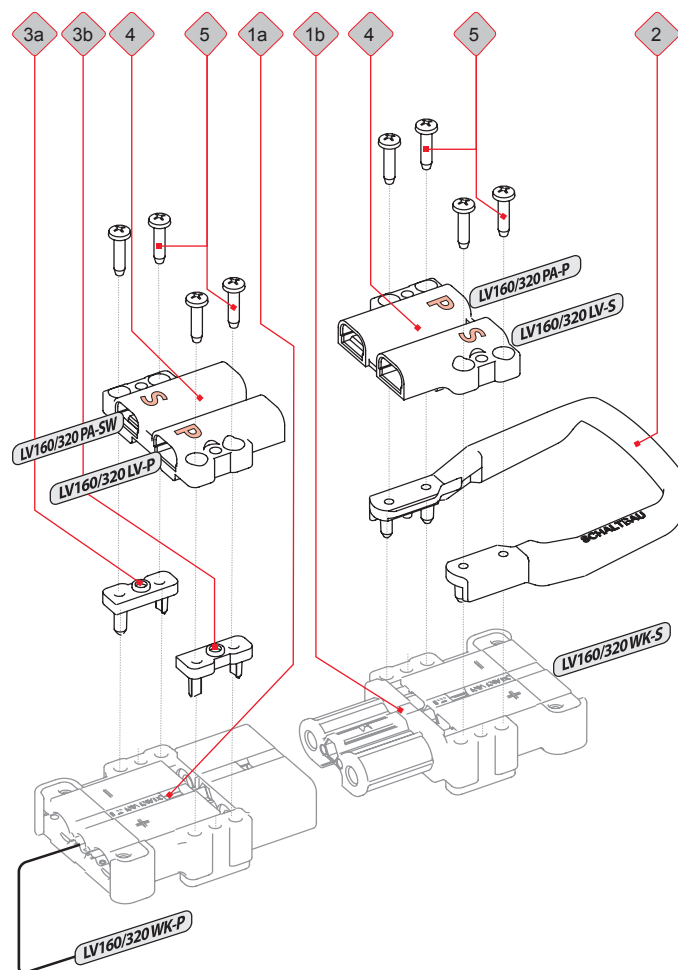
When connector is used without handle, spacers (item 3a and 3b) are required in place of the handle. Place module holder on top of spacers and tighten them together using the four screws (item 5).

 **Note:** We recommend fitting both the charging plug and the battery receptacle with handles.

Recommendation:

We also recommend to fix the cables of the pilot and/or auxiliary contacts, as well as the air feed and/or water supply tubes to the cables of the main contacts by means of cable ties.

 **Note:** Please check that all cables and tubes are free from mechanical stress after assembly.





Schaltbau GmbH manufactures in compliance with RoHS. The LV Series connectors are RoHS compliant.



Schaltbau GmbH has an environment management system that has been certified since 1994.



Schaltbau GmbH has a quality management system that has been certified since 1994.

Electrical Components and Systems for Railway Engineering and Industrial Applications

Connectors

- Connectors manufactured to industry standards
- Connectors to suit the special requirements of communications engineering (MIL connectors)
- Charging connectors for battery-powered machines and systems
- Connectors for railway engineering, including UIC connectors
- Special connectors to suit customer requirements

Snap-action switches

- Snap-action switches with positive opening operation
- Snap-action switches with self-cleaning contacts
- Enabling switches
- Special switches to suit customer requirements

Contactors

- Single and multi-pole DC contactors
- High-voltage AC/DC contactors
- Contactors for battery powered vehicles and power supplies
- Contactors for railway applications
- Terminal bolts and fuse holders
- DC emergency stop switches
- Special contactors to suit customer requirements

Electrics for rolling stock

- Equipment for driver's cab
- Equipment for passenger use
- High-voltage switchgear
- High-voltage heaters
- High-voltage roof equipment
- Equipment for electric brakes
- Design and engineering of train electrics to customer requirements

Schaltbau GmbH

Hollerithstrasse 5
81829 München
Germany

Phone +49 89 9 30 05-0
Fax +49 89 9 30 05-350
e-Mail contact@schaltbau.de
Internet www.schaltbau.com

with compliments: