

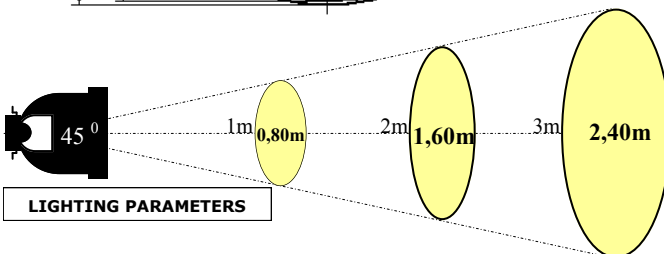
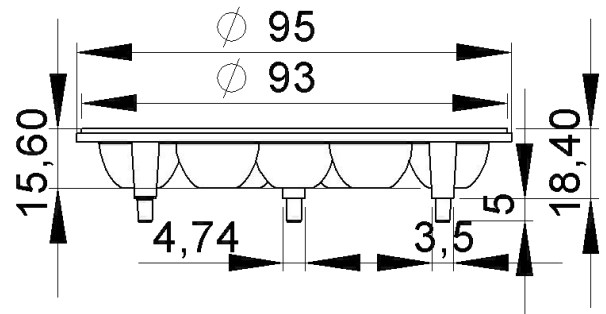
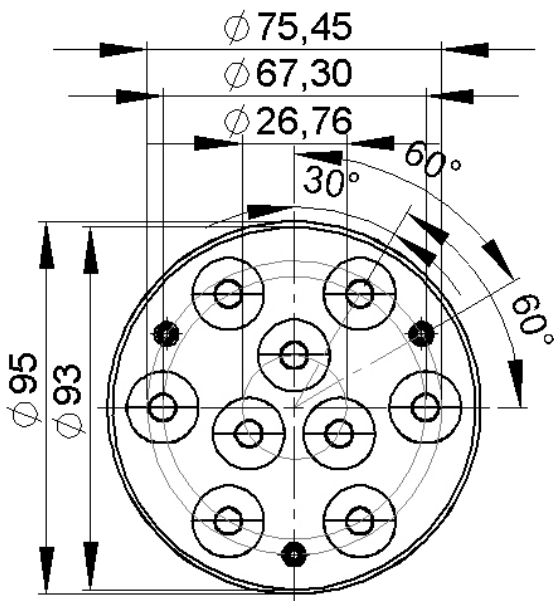
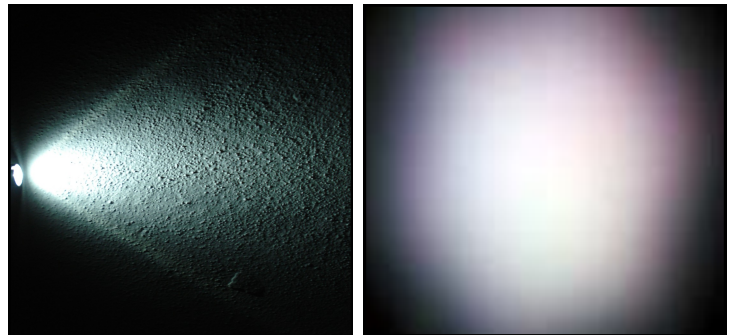


| ANGLE | CODE |
|-------|-------|
| 45° | 9B45D |

LED Type



| | |
|--------------|-------------|
| BOX QUANTITI | 108 P C S |
| BOX SIZE | 36*33*18 cm |
| BOX WEIGHT | 5,500 Kg |



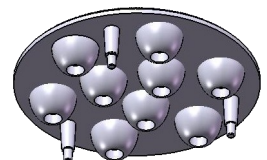
TURLENS USE : Street Lighting , Office Lighting , Home Lighting , Stage Lighting , Architectural Lighting , Down Light Lighting , Decorative Lighting

Lens INFO

Lens Material : Optical Grade Best Available Optical Efficiency

Lens Material : with high UV & Temperature Resistance -40°C ~ + 100°C

Lens Material : Light Transmittance High Productivity with 2mm Thickness



WARNING : If you Decide to use Glue only, Please Take Special Care of Correct Positioning