

PRODUCT OVERVIEW



SMP Subminiature Connectors

The SMP subminiature connectors offer superior performance from DC to 40 GHz. PCB mount, cable mount and in-series adaptors provide an interconnect solution for board-to-board, blind mate and rack-and-panel applications while maintaining package density. The connectors feature push-on or snap coupling. An audible and positive tactile click ensures complete electrical connection. Typical applications include third generation Telecommunication systems such as GSM, WCDMA & UMTS.

PCB
Cable
Panel
Adapters

Features and Benefits

- DC to 40 GHz
- Subminiature
- Push-on or snap coupling
- Compact size
- Up to 0.50mm radial mis-alignment
- Up to 0.70mm axial mis-alignment
- Cable mount versions for both flexible and semi-rigid cable

Materials

- Contacts – BeCu (adaptors, PCB & cable mount connectors), brass gold plated (PCB)
- Insulator – Teflon[®]*, peak or LCP
- Body – BeCu (adaptors) brass gold plated (PCB & cable mount connectors)



SPECIFICATIONS

Electrical

Nominal Impedance (Ohms)	Frequency Range (GHz)	Voltage, Working (Vrms)	Insulation Resistance (MOhms)	Center Contact Resistance (MOhms)	Outer Contact Resistance (MOhms)	RF Leakage (-dB)	RF Insertion Loss (dB)	VSWR at Max. Freq
50	DC-40	335	5000	≤ 6	≤ 2	65	≤ .1 at 1GHz	1.50

Mechanical

Coupling Method	Force to Engage (max)	Force to Disengage	Durability (Cycles)
Push-On	3.38 lbs (15N)	1.80 lbs (8N)	500

Environmental

Temperature (Degrees C)	Vibration: MIL-STD-202, Method 204	Thermal Shock: MIL-STD-202, Method 107	Corrosion (Salt Spray): MIL-STD-202, Method 101	Mechanical Shock: MIL-STD-202, Method 213	Moisture Resistance: MIL-STD-202, Method 106
-65 to +165	Test Condition B	Test Condition C	Test Condition B	Test Condition B	Five minutes after removal 200 MOhms

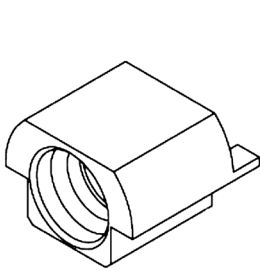
*Teflon is a registered trademark of E.I. du Pont de Nemours and Company



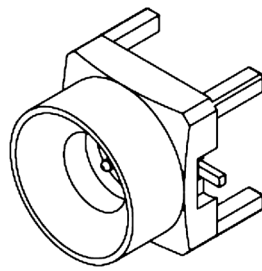
SMP Subminiature Connectors

Technical Product Information

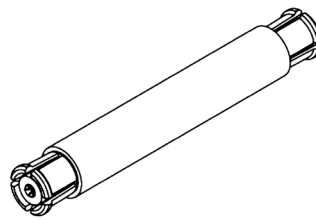
- PCB Plugs – Vertical SMT, through-hole mount or edge mount
- Cable Plugs – Vertical or right-angle versions
 - Semi-rigid cables .086, .047, UT.047TP & UT-85TP
 - Flexible cables – RG316
- Non-magnetic versions available for medical applications
- Jack-to-Jack adaptors – Various lengths available 7mm through 28mm (Custom lengths on application)



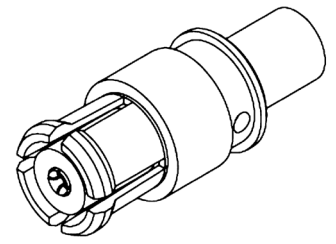
Edge Mount



Plugs



Jack-to-Jack Adaptors



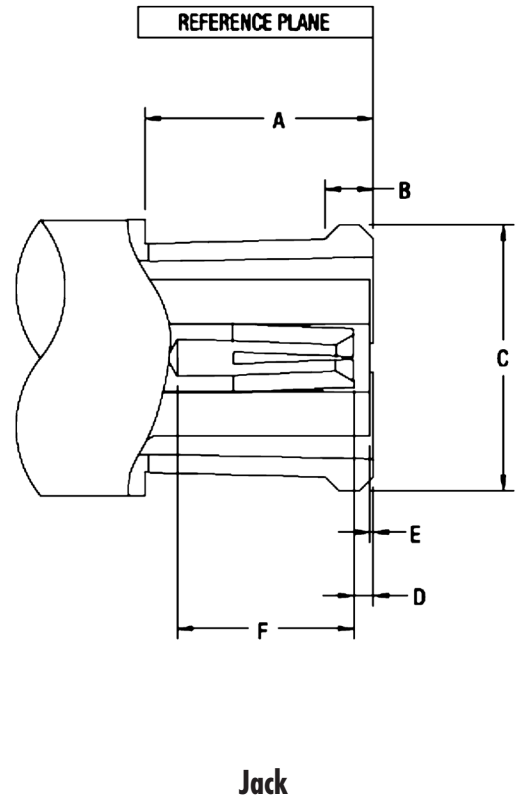
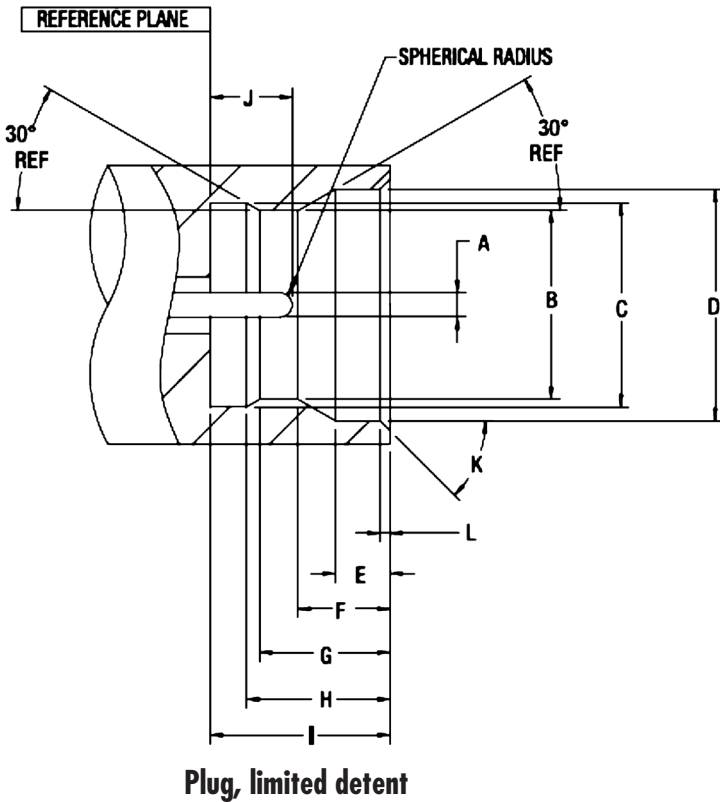
Cable Jacks

ORDERING INFORMATION

Part Number	Description	Body	Plating	Cable Type
73415-3310	Vertical Plug PCB With Detent	Brass	Gold	N/A
73415-3320	Vertical Plug PCB Without Detent	Brass	Gold	N/A
73415-3350	Jack-to-Jack adaptor (Length 23.50mm)	Beryllium Copper	Gold	N/A
73415-3351	Jack-to-Jack adaptor (Length 20.30)	Beryllium Copper	Gold	N/A
73415-3020	Jack-to-Jack adaptor (Length 7.00)	Beryllium Copper	Gold	N/A
73415-3030	Right-Angle Solder Jack	Beryllium Copper	Gold	.086 SR
73415-3580	Right-Angle Solder Jack	Beryllium Copper	Gold	.047 SR
73415-3720	Right-Angle Solder Jack	Beryllium Copper	Gold	UT-47-TP
73415-5030	Right-Angle Crimp Jack	Beryllium Copper	Gold	RG 316
73415-3740	Vertical Solder Jack	Beryllium Copper	Gold	UT-85-TP
73415-3591	Edge-Mount Plug Limited Detent	Brass	Gold	N/A
85305-0232	Vertical SMT Plug Limited Detent	Brass	Gold	N/A
73415-5010	Vertical SMT Plug Limited Detent	Brass	Gold	N/A



SMP Subminiature Connectors



INTERFACE MATING DIMENSIONS

	Plug Dimensions	
	min. in/(mm)	max. in/(mm)
A (dia)	.014/0.36	.016/0.41
B (dia)	.118/3.00	.122/3.10
C (dia)	.123/3.12	.127/3.23
D (dia)	.139/3.53	.145/3.68
E	.033/0.84	.037/0.94
F	.055/1.40	.057/1.45
G	.078/1.98	.082/2.08
H	.086/2.18	.090/2.29
I	.108/2.74	.112/2.85
J	.045/1.14	.055/1.40
K	40°	50°
L	.003/0.076	—

	Jack Dimensions	
	min. in/(mm)	max. in/(mm)
A	.112/2.85	—
B	.018/0.46	.025/0.64
C (dia)	—	.135/3.43
D	.000/0.00	.008/0.20
E	.000/0.00	—
F	.070/1.78	—
G	—	—
H	—	—
I	—	—
J	—	—
K	—	—
L	—	—



www.molex.com

America
2222 Wellington Ct.
Lisle, Illinois 60532 USA
+1-800-78MOLEX
amerinfo@molex.com

Asia Pacific North
Yamato, Kanagawa, Japan
+81-462-65-2324
apninfo@molex.com

Asia Pacific South
Jurong, Singapore
+65-6-268-6868
apsinfo@molex.com

Europe
Walldorf, Germany
+49-6227-3091-0
mxgermany@molex.com

Corporate Headquarters
2222 Wellington Ct.
Lisle, Illinois 60532 USA
+630-969-4550
www.molex.com