

S-Type Alloy Steel Load Cell



ATEX

FEATURES

- Capacities 1500 to 6000kg
- Alloy steel construction
- Sealing: welded to IP67
- S-Type design for use in tension and compression
- Choice of mounting threads Metric or Unified systems
- Six wire cable (sense circuit)

OPTIONAL FEATURE

- EEx ia IIC T6-ATEX hazardous area approval

DESCRIPTION

Model 619 is a low cost tension-compression load cell made from nickel plated alloy steel and has bonded covers for additional protection. It is suitable for use in a wide range of weighing, process weighing, force measurement and industrial process control applications.

Protected to meet IP67 requirements, the construction of the 619 load cell allows its use in most industrial process applications.

For IP68 requirements, select the fully-welded stainless steel model 620,

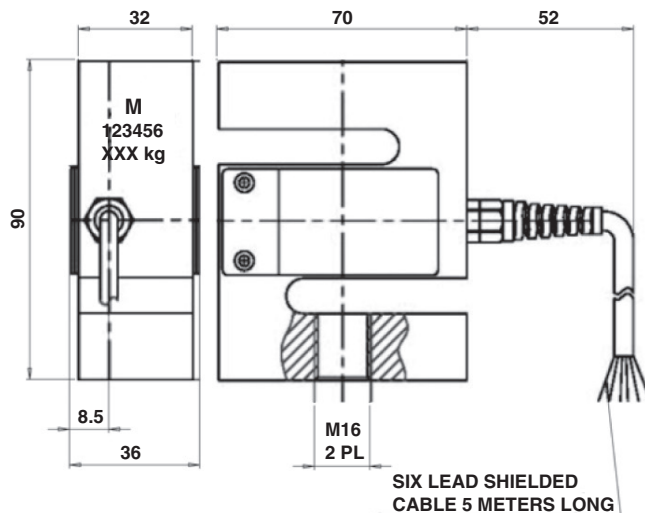
which shares the same dimensions as model 619.

The additional sense wires compensate for changes in lead resistance due to temperature change and/or cable extension. Complete compensation of changes in lead resistance is achieved by feeding this voltage into appropriate electronics.

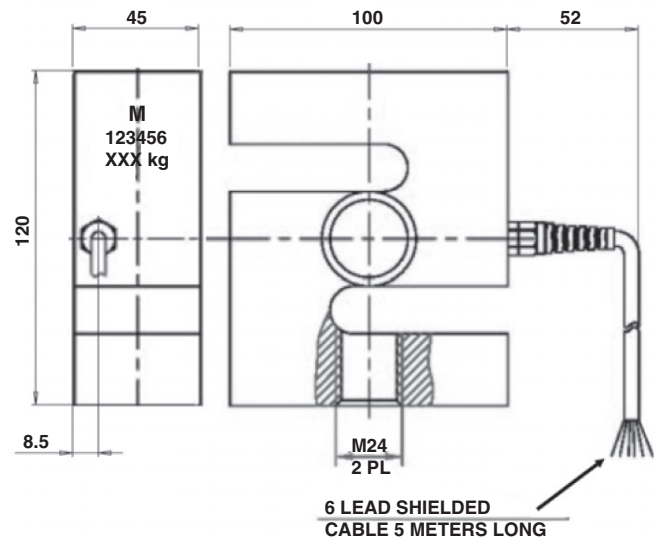
APPLICATIONS

- Hopper (tank weighing)
- Hybrid scales
- Belt weighing
- Lever arm conversions
- Material testing machines
- Vibrations filling equipment
- Dynamometers

OUTLINE DIMENSIONS in mm



1500, 2000kg cell outline

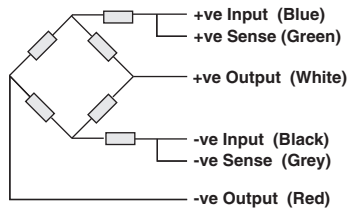


3000, 5000, 6000kg cell outline

SPECIFICATIONS

PARAMETER	VALUE		UNIT
Rated capacity-R.C. (E_{max})	1500, 2000, 3000, 5000, 6000		kg
Accuracy class	E	G	
Maximum no. of intervals (n)	1000	3000	
Rated output-R.O.	2.0		mV/V
Rated output tolerance	0.002		±mV/V
Zero balance	0.2		±mV/V
Zero Return, 30 min.	0.050	0.0170	±% of applied load
Total Error	0.050	0.020	±% of rated output
Temperature effect on zero	0.030	0.0040	±% of rated output/°C
Temperature effect on output	0.0030	0.0012	±% of applied load/°C
Temperature range, compensated	-10 to +40		°C
Temperature range, safe	-20 to +70		°C
Maximum safe central overload	150		% of R.C.
Ultimate central overload	300		% of R.C.
Excitation, recommended	10		Vdc or Vac rms
Excitation, maximum	15		Vdc or Vac rms
Input impedance	385±15		Ohms
Output impedance	350±3		Ohms
Insulation resistance	>2000		Mega-Ohms
Cable length	5.0		m
Cable type	6 wire, braided, PVC, dual floating screen		Standard
Construction	Nickel plated alloy tool steel		
Environmental protection	IP67		

Wiring Schematic Diagram



Disclaimer

ALL PRODUCTS, PRODUCT SPECIFICATIONS AND DATA ARE SUBJECT TO CHANGE WITHOUT NOTICE.

Vishay Precision Group, Inc., its affiliates, agents, and employees, and all persons acting on its or their behalf (collectively, "Vishay Precision Group"), disclaim any and all liability for any errors, inaccuracies or incompleteness contained herein or in any other disclosure relating to any product.

The product specifications do not expand or otherwise modify Vishay Precision Group's terms and conditions of purchase, including but not limited to, the warranty expressed therein.

Vishay Precision Group makes no warranty, representation or guarantee other than as set forth in the terms and conditions of purchase. **To the maximum extent permitted by applicable law, Vishay Precision Group disclaims (i) any and all liability arising out of the application or use of any product, (ii) any and all liability, including without limitation special, consequential or incidental damages, and (iii) any and all implied warranties, including warranties of fitness for particular purpose, non-infringement and merchantability.**

Information provided in datasheets and/or specifications may vary from actual results in different applications and performance may vary over time. Statements regarding the suitability of products for certain types of applications are based on Vishay Precision Group's knowledge of typical requirements that are often placed on Vishay Precision Group products. It is the customer's responsibility to validate that a particular product with the properties described in the product specification is suitable for use in a particular application.

No license, express, implied, or otherwise, to any intellectual property rights is granted by this document, or by any conduct of Vishay Precision Group.

The products shown herein are not designed for use in life-saving or life-sustaining applications unless otherwise expressly indicated. Customers using or selling Vishay Precision Group products not expressly indicated for use in such applications do so entirely at their own risk and agree to fully indemnify Vishay Precision Group for any damages arising or resulting from such use or sale. Please contact authorized Vishay Precision Group personnel to obtain written terms and conditions regarding products designed for such applications.

Product names and markings noted herein may be trademarks of their respective owners.