

TURLENS

Optics & Reflector



Datasheet

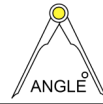


LED 1w Power

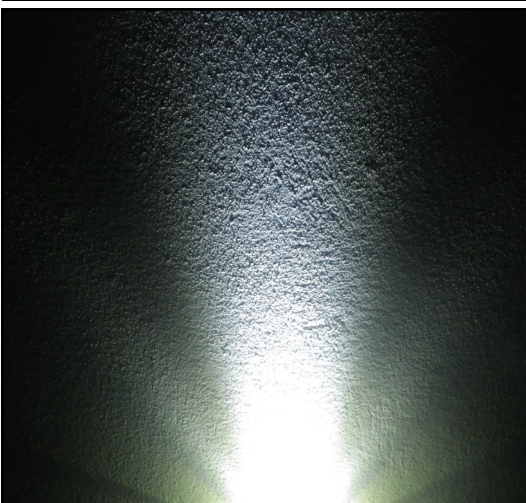
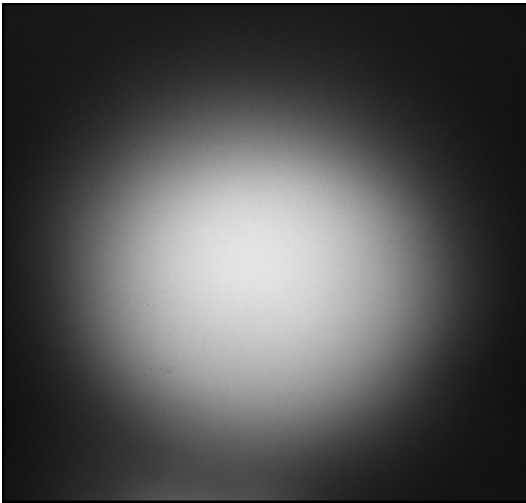


Code : 3 LB 30 D A

30⁰ Degree

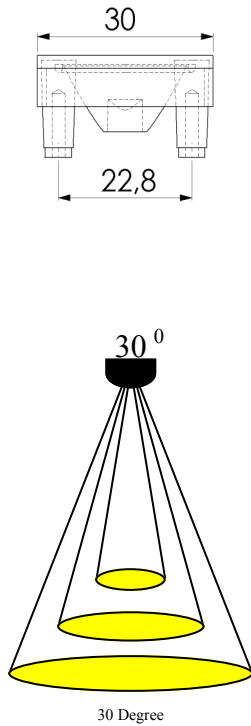


LIGHTING PARAMETERS



Box Quantity : 216 PCS
Box Size : 25*25*16 cm
Box Total Kg +/-%3: 3,00 Kg

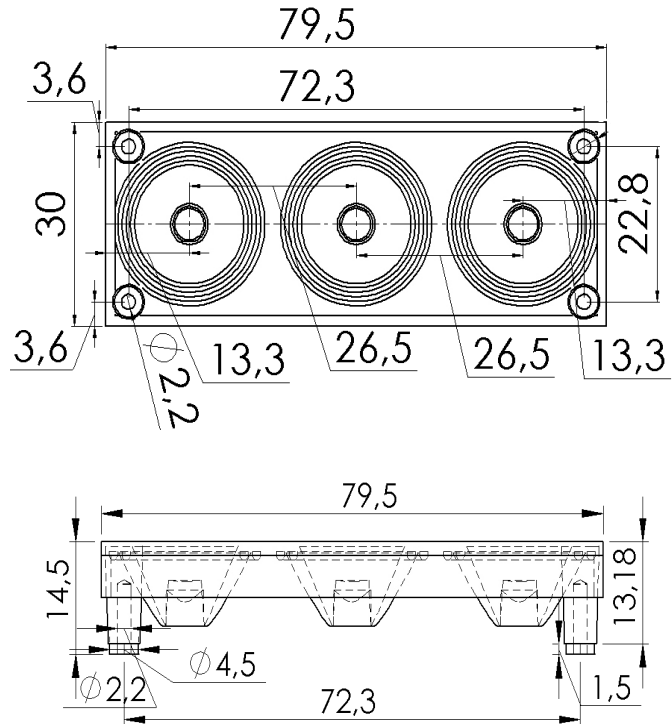
PACKAGING



30 Degree

Light Dimension Parameters

- 1m / \varnothing : 0,53 m
- 2m / \varnothing : 1,06 m
- 3m / \varnothing : 1,59 m



*TURLENS Custom Optical Design & Manufacture (Lens for LED's)All technical data contained in this document are properties of "TURLENS". Turlens may to change the content without prior notice.****

* Lens Use

- * Streets, Offices, Homes, Stages, Architectural, Down Light , & Decorative Lighting

* Lens Material

- * Optical Grade PMMA / PC Best Available Optical Efficiency : > 90 % ,PMMA with UV Light Transmittance High Productivity with 2mm Thickness
- * Operating Temperature: -40°C ~ + 80°C (upper limit +90°C) PMMA
- * Operating Temperature: -40°C ~ + 90°C (upper limit +100°C) PC
- * Average transmittance in visible spectrum: 400nm~700nm> 90% - (3mm thick PMMA)

* Holder information

- * Operating Temperature: -40°C ~ + 110°C PC V2 & ROHS UV Resistant
- Flammability Standard : V2 (burning stops within 30 seconds on a vertical specimen; drips of flaming particles are allowed). High heat resistance

*Assembly Information

- * If adhesive is used, make sure that the adhesive is acid-free.
- * If you need to clean the lenses, use only mild soap and water. Use a very soft piece of cloth to dry.
- * Do not use any solvents on lenses
- * Our product is guaranteed against manufacturing defects only.
- * Do not store the product in a dusty & corrosive environment
- * Do not touch the optical portion of the lens with bare hands

