



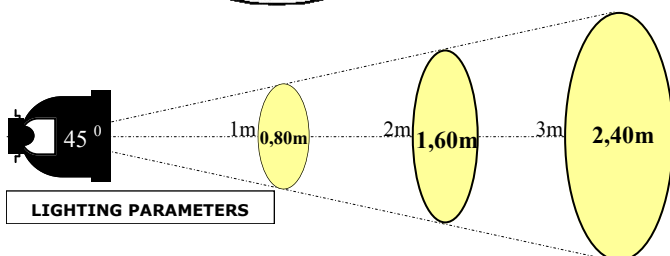
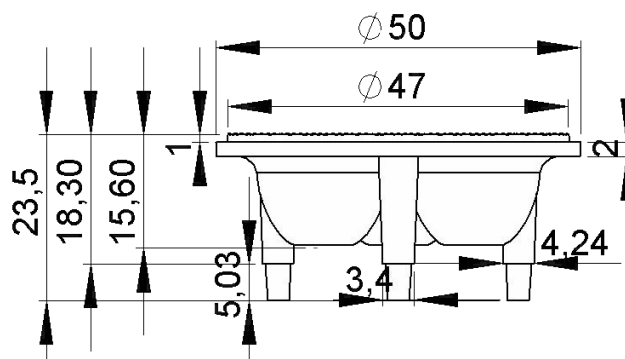
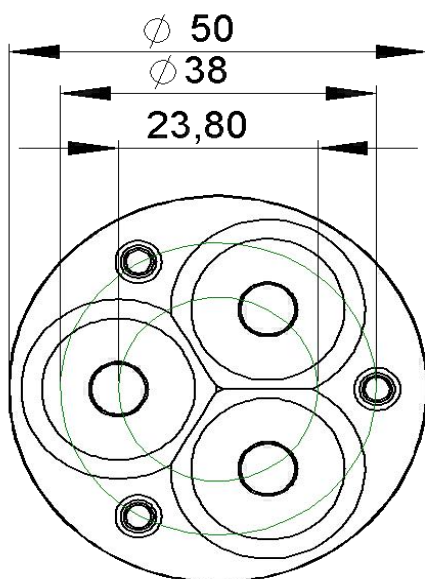
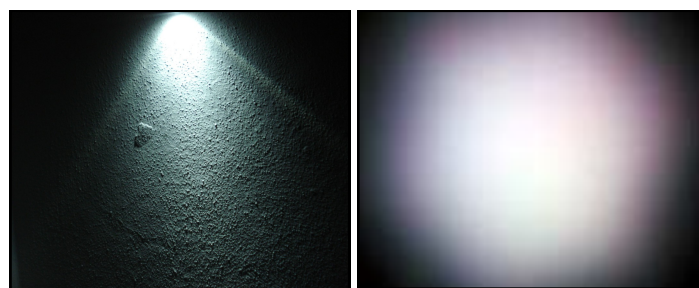
ANGLE	CODE
45°	3B45D



LED Type



BOX QUANTITI	288 P C S
BOX SIZE	36*33*18 cm
BOX WEIGHT	5,650 Kg



**LIGHTING PARAMETERS**

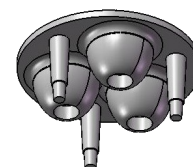
**TURLENS USE** : Street Lighting , Office Lighting , Home Lighting , Stage Lighting , Architectural Lighting , Down Light Lighting , Decorative Lighting

### Lens INFO

Lens Material : Optical Grade Best Available Optical Efficiency

Lens Material : with high UV & Temperature Resistance -40°C ~ + 100°C

Lens Material : Light Transmittance High Productivity with 2mm Thickness



**WARNING** : If you Decide to use Glue only, Please Take Special Care of Correct Positioning