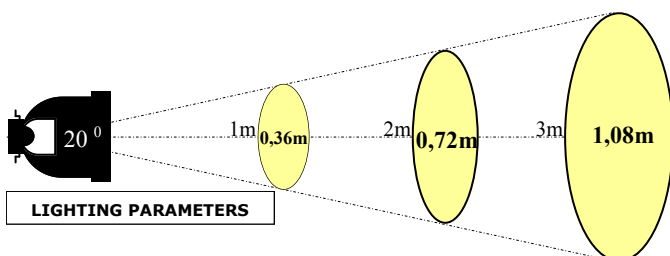
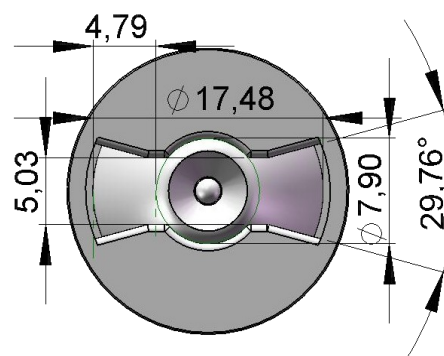
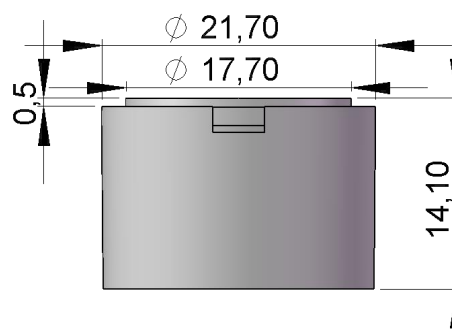
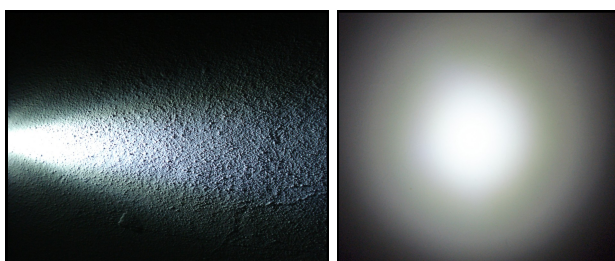




ANGLE	CODE	Holder Colour
20°	20DH1W	White 



BOX QUANTITI	100 * 8 = 800 P C S
BOX SIZE	24*24*14 cm
BOX WEIGHT	3,670 Kg



**TURLENS USE** : Street Lighting , Office Lighting , Home Lighting , Stage Lighting , Architectural Lighting , Down Light Lighting , Decorative Lighting

### Lens INFO

Lens Material : Optical Grade Best Available Optical Efficiency

Lens Material : with high UV & Temperature Resistance -40°C ~ + 100°C

Lens Material : Light Transmittance High Productivity with 2mm Thickness

### Housing & Holder

Holder Colour : Black - White

Holder Material : Operating Temperature -40°C ~ + 120°C

Holder Material : PCV2 & R O H S - Flame : High Heat Resistance

Holder Material : UV Allows use of High Current and Temperature Conditions

**WARNING** : If you Decide to use Glue only, Please Take Special Care of Correct Positioning

