


## Features

- Size: 5 mm diameter, 7.2 mm length
- Surface mount design
- Symmetrical breakdown voltage (L-L, L-G)
- Low capacitance and insertion loss
-  UL Recognized
- RoHS compliant\*

## Applications

- Telecommunications equipment
- Industrial equipment/electronics
- Consumer electronics

# 2052 Series Light Duty 3-Electrode Symmetrical Gas Discharge Tube

## Characteristics

Test Methods per ITU-T K.12 and IEC 61643-311.

Characteristic	Model No.							
	2052-23	2052-25	2052-35	2052-40	2052-42	2052-47	2052-60	2052-80
DC Sparkover $\pm 20\%$ @ 100 V/s (L-L, L-G)	230 V	250 V	350 V	400 V	420 V	470 V	600 V	800 V
Impulse Sparkover (L-L, L-G)								
100 V/ $\mu$ s	< 600 V	< 600 V	< 650 V	< 700 V	< 700 V	< 800 V	< 900 V	< 1150 V
1000 V/ $\mu$ s	< 700 V	< 700 V	< 750 V	< 800 V	< 800 V	< 900 V	< 1000 V	< 1400 V

Insulation Resistance (IR) <sup>NOTE 1</sup> .....	100/250 Vdc .....	> 1 G $\Omega$
Glow Voltage .....	10 mA .....	~ 70 V
Arc Voltage .....	1 A .....	~ 10 V
Glow-Arc Transition Current .....		< 1 A
Maximum Capacitance .....	1 MHz .....	< 2 pF
Maximum Impulse Discharge Current .....	10,000 A, 8/20 $\mu$ s .....	1 operation
	5,000 A, 8/20 $\mu$ s .....	10 operations
Nominal Alternating Discharge Current .....	5 A, 50 Hz, 1 sec. ....	1 operation
	20 A, 9 cycles .....	1 operation
Impulse Life .....	200 A, 10/1000 $\mu$ s .....	150 operations
DC Holdover Voltage <sup>NOTE 2</sup> .....	> 135 V .....	< 150 ms
Operating Temperature .....		-30 to +85 °C
Storage Temperature .....		-40 to +115 °C
Climatic Category (IEC 60068-1) .....		40/90/21

### Notes:

- **UL Recognized component, UL File E153537.**
- At delivery AQL 0.65 AQL Level II, DIN ISO 2859.
- The rated discharge current is the total current equally divided between each line to ground (ELTG).

Note 1: DC Sparkover Voltage	IR Measuring Voltage
145-400 V .....	100 V
420-800 V .....	250 V

Note 2: Network Applied.

# BOURNS®

**Asia-Pacific:** Tel: +886-2 2562-4117 • Fax: +886-2 2562-4116

**Europe:** Tel: +41-41 768 5555 • Fax: +41-41 768 5510

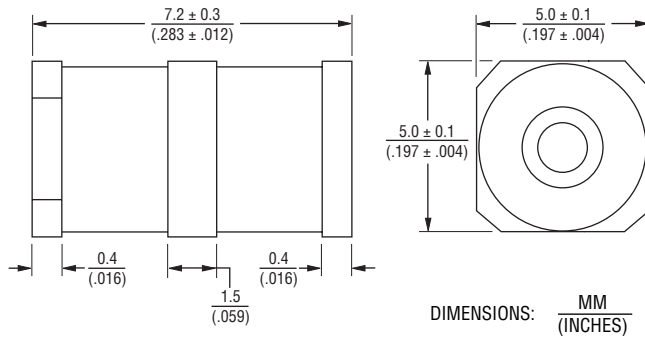
**The Americas:** Tel: +1-951 781-5500 • Fax: +1-951 781-5700

[www.bourns.com](http://www.bourns.com)

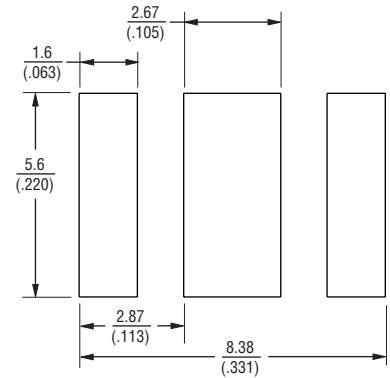
# 2052 Series Light Duty 3-Electrode Symmetrical Gas Discharge Tube



## Product Dimensions

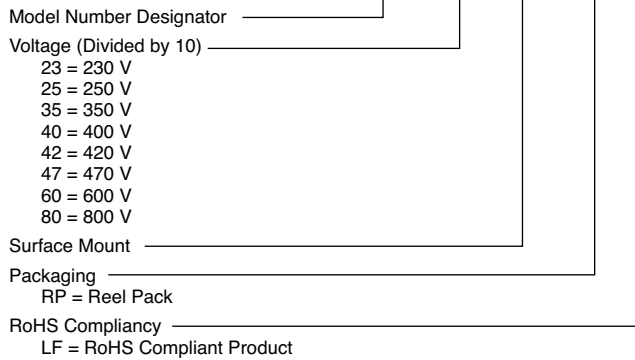


## Recommended Pad Layout



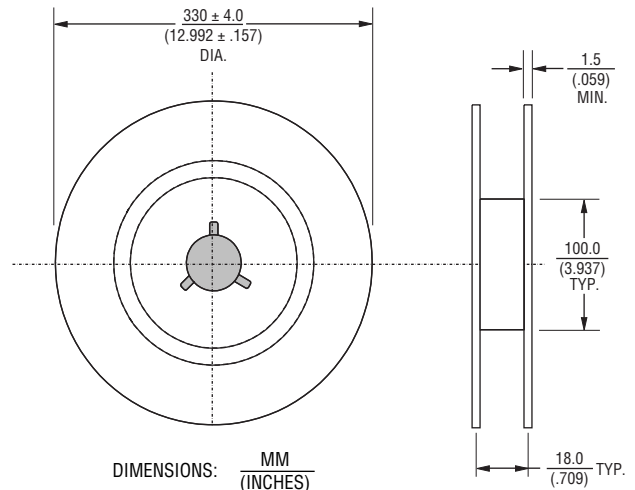
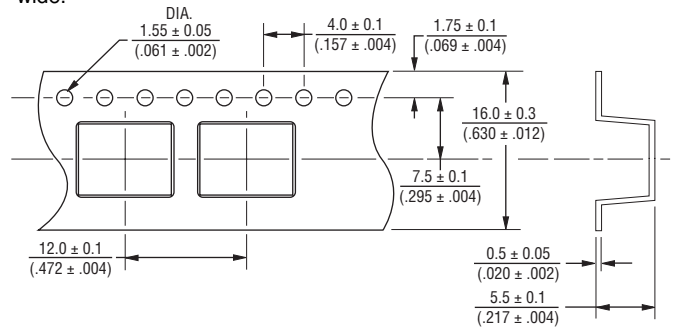
## How to Order

**2052 - xx - SM - RP LF**



## Packaging Specifications

Model 2052-xx-SM-RPLF (Reel Pack) contains 900 pieces per reel, 2,700 pieces per box. The reel is 330 mm in diameter and 18 mm wide.



REV. A 06/12

Specifications are subject to change without notice. Customers should verify actual device performance in their specific applications.