

**TURLENS**

Optics & Reflector



Datasheet



**LED** 1w Power



Code : 15 D C3 B

15<sup>0</sup> Degree

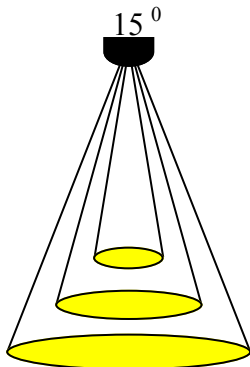
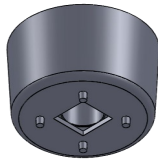


LIGHTING PARAMETERS



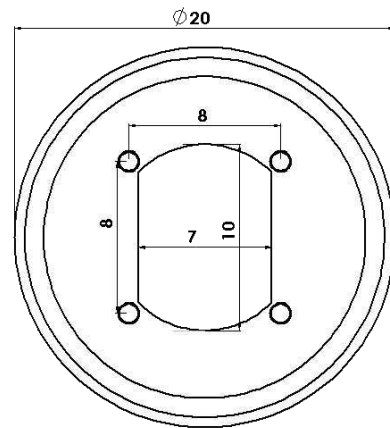
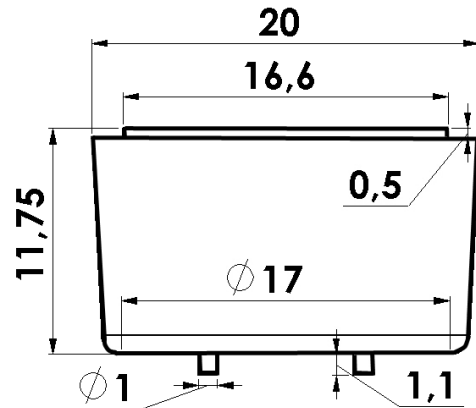
Box Quantity : 125X8=1000 PCS  
Box Size : 24\*24\*15 cm  
Box Total Kg +/-3%: 3,60 Kg

PACKAGING



10 Degree  
Light Dimension Parameters

- 1m /  $\varnothing$  : 0,26 m
- 2m /  $\varnothing$  : 0,52 m
- 3m /  $\varnothing$  : 1,10 m



\*TURLENS Custom Optical Design & Manufacture ( Lens for LED's )All technical data contained in this document are properties of "TURLENS". Turlens may to change the content without prior notice.\*\*\*\*

\* Lens Use

- \* Streets, Offices, Homes, Stages, Architectural, Down Light , & Decorative Lighting

\* Lens Material

- \* Optical Grade PMMA / PC Best Available Optical Efficiency : > 90 % ,PMMA with UV Light Transmittance High Productivity with 2mm Thickness
- \* Operating Temperature: -40°C ~ + 80°C (upper limit +90°C) PMMA
- \* Operating Temperature: -40°C ~ + 90°C (upper limit +100°C) PC
- \* Average transmittance in visible spectrum: 400nm~700nm> 90% - (3mm thick PMMA)

\* Holder information

- \* Operating Temperature: -40°C ~ + 110°C PC V2 & ROHS UV Resistant
- Flammability Standard : V2 (burning stops within 30 seconds on a vertical specimen; drips of flaming particles are allowed). High heat resistance

\*Assembly Information

- \* If adhesive is used, make sure that the adhesive is acid-free.
- \* If you need to clean the lenses, use only mild soap and water. Use a very soft piece of cloth to dry.
- \* Do not use any solvents on lenses
- \* Our product is guaranteed against manufacturing defects only.
- \* Do not store the product in a dusty & corrosive environment
- \* Do not touch the optical portion of the lens with bare hands

