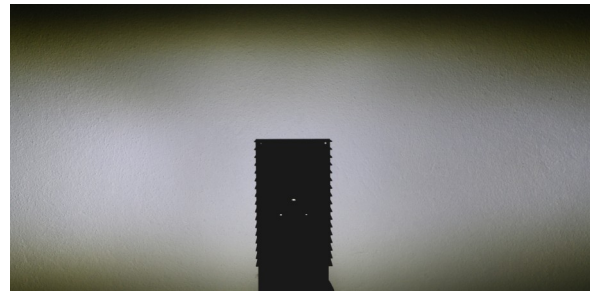


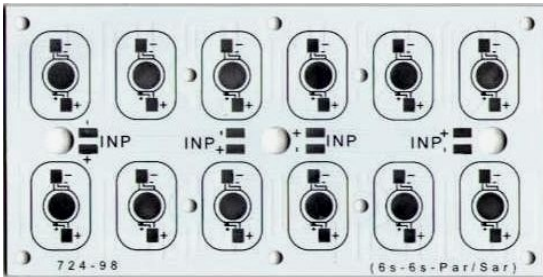


CODE : 12 B ST A

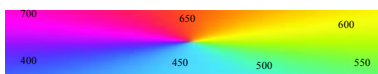
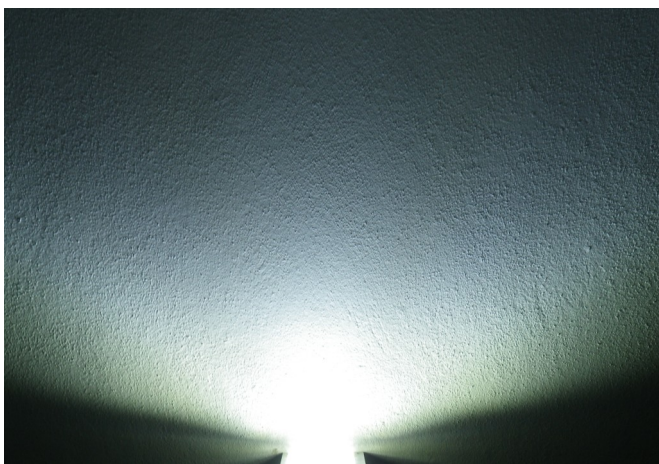
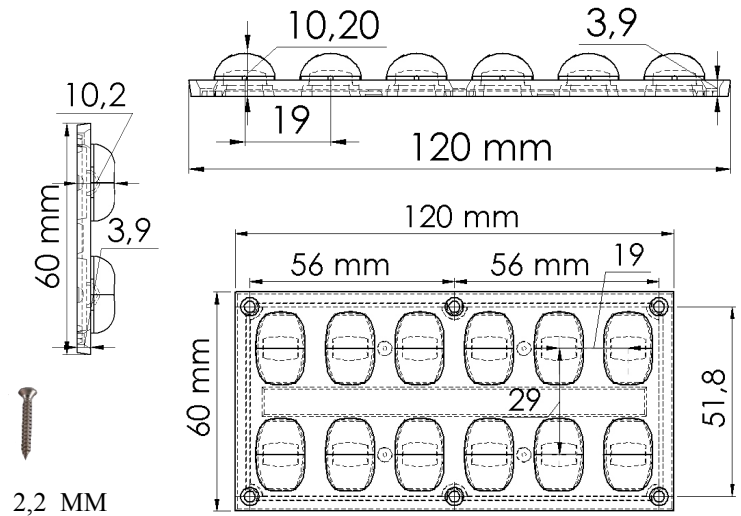


<b>ANGLE</b>	130° X 65°
Box Quantiti	128 PCS
Box Size	25 X 25 X 16 CM
Lens Net Kg +/- %3	4,90 Kg
Box Total Kg +/- %3	5,20 Kg

### Led Type



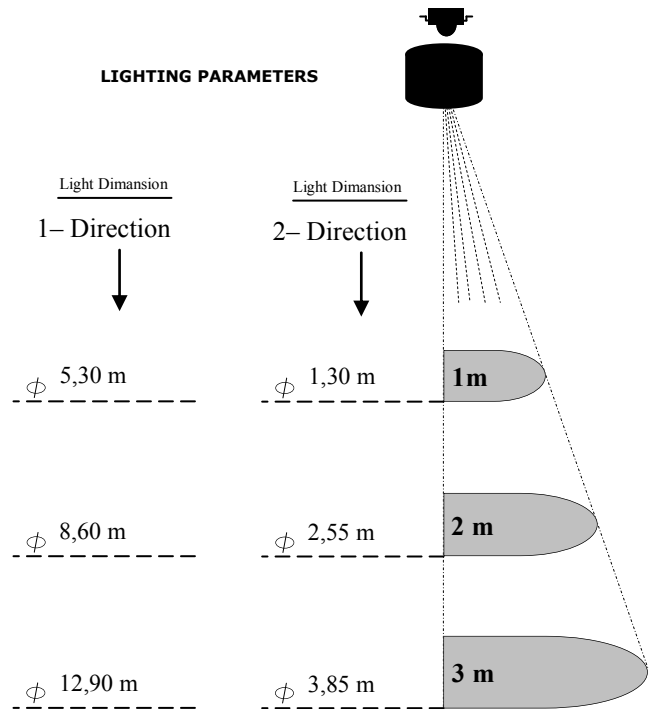
PCB Code : 724-98
Aluminum Mask : White
Aluminum Size : 60 X 120 mm
Aluminum Thickness: 1,6 mm
Aluminum Weight: 30 g
Electricity Line : Copper
Light Scattering 6S & 6S



Lighting Nanometer



### LIGHTING PARAMETERS



**LENS USE** : Street ,Office,Home,Stage ,Architectural,DownLight , &Decorative Lighting

**Lens Material** : Optical Grade Best Available Optical Efficiency with high UV & Temperature Resistance -40°C ~ + 100°C Light Transmittance High Productivity weth 2mmTh.

**WARNING** : If you Decide to use Glue only, Please Take Special Care of Correct Positioning