

INTRODUCTION

Molex's Mini-HMC system was developed to meet the needs of smaller industrial robotic applications. Mini-HMC provides the ruggedness of traditional Heavy Duty connectors but in a smaller form factor.

Mini-HMC offers many of the same unique features of our standard HMC™ (Heavy Duty Modular) connectors such as "one-touch" lock and removable housings. The system also utilizes the same crimp terminals as our CRC™ (Compact Robotic) industrial connectors.

Specifications:

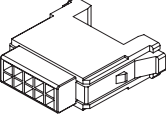
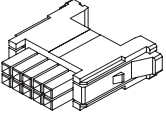
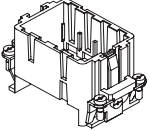
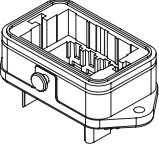
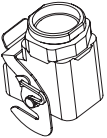
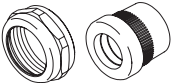
- Current: 7.0A
- Voltage: 250V
- Circuit Size Range: 40 (fully loaded)
- Contact Resistance: 10 milliohms max.
- Insulation Resistance: 1000 Megohms min.
- Dielectric Strength: AC 1500V/1 minute
- Operating Temperature: -55 to +105 °C
- Contact Retention Force: 24.5N
- Contact Insertion Force: 14.7N
- Durability: 50 cycles

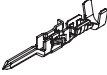
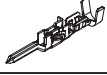
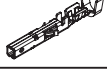



Mini-HMC™ Rectangular Industrial Connector System



SELECTION MATRIX

	Description	Order No.	Circuits	Rows	Material	Plating	Packaging
	Plug	500812-1000	10	2	Nylon 66, Glass-Filled UL 94V-0		Bag
	Receptacle	500813-1000	10	2	Nylon 66, Glass-Filled UL 94V-0		Bag
	Plug Shell	500810-0000 (A) 500810-0010 (B)	40	8	Plug Shell: Aluminium Alloy Plug Ground Terminal: Brass Head Screws: Steel	Nickel	Bag
	Receptacle Shell	500809-0000 (A) 500809-0010 (B)	40	8	Receptacle Shell: Aluminium Alloy Receptacle Ground Terminal: Brass Head Screws: Steel	Nickel	Bag
	Cover	500811-0010	40		Plug Cover: Aluminium Alloy Cover Lock Pin/Lever Spring: Stainless Steel	Nickel	Bag
	End Bell Cap Assembly	58550-000*			Cable Cap: Brass Bush: PVC	Nickel	Bag

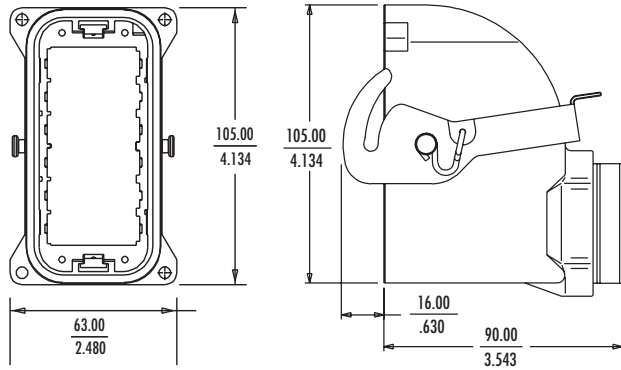
	Description	Order No.	Material	Plating (Contact/Crimp)	Packaging
	AWG# 24-28	56118-8*28	Phosphor Bronze	Gold/Tin	-8228: Reel -8328: Bag
	AWG# 18-22	56119-8*28	Phosphor Bronze	Gold/Tin	-8228: Reel -8328: Bag
	AWG# 24-28	56120-8*28	Phosphor Bronze	Gold/Tin	-8428: Reel -8528: Bag
	AWG# 18-22	56121-8*28	Phosphor Bronze	Gold/Tin	-8428: Reel -8528: Bag

FEATURES AND BENEFITS



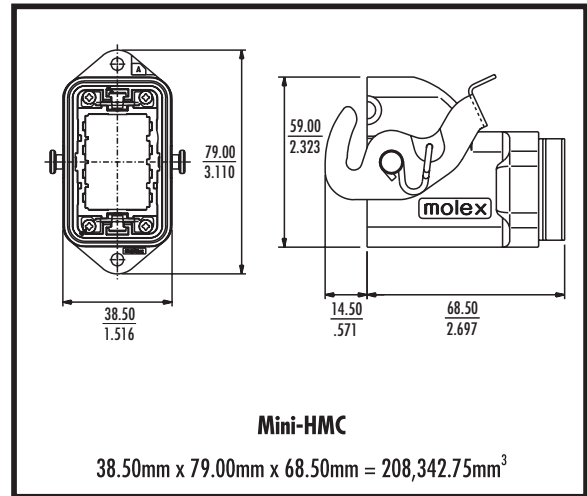
Mini-HMC™ Rectangular Industrial Connector System

HMC™ and Mini-HMC™ Size Comparison



HMC

63.00mm x 105.00mm x 90.00mm = 595,350.00mm³



Mini-HMC

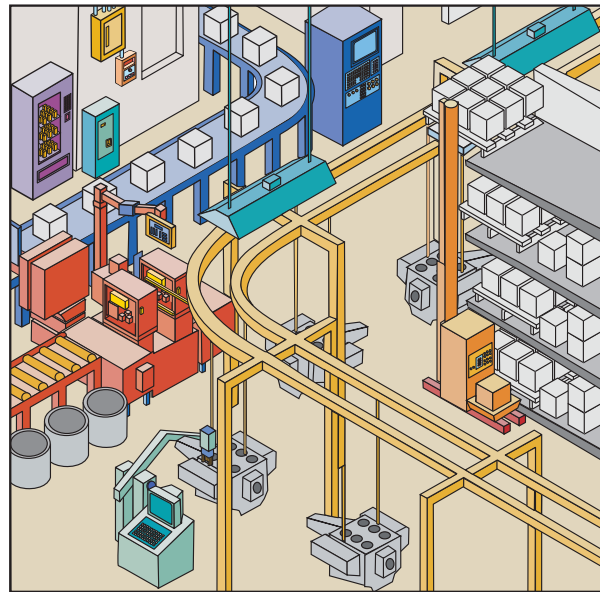
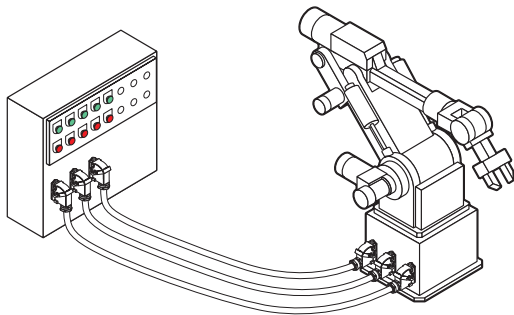
38.50mm x 79.00mm x 68.50mm = 208,342.75mm³

Space Savings

Mini-HMC saves about 65% of space compared to standard HMC Heavy Duty Connectors.

APPLICATIONS

- Small Robots
- Semiconductor/LCD Manufacturing Equipment
- Industrial Controls
- Medical
- Machinery Equipment



Bringing People & Technology Together, WorldwideSM

Americas Headquarters
2222 Wellington Ct,
Lisle, Illinois 60532 USA
Tel: 1-800-78MOLEX
amerinfo@molex.com

Far East North Headquarters
Yamato, Kanagawa, Japan
Tel: 81-462-65-2324
feninfo@molex.com

Far East South Headquarters
Jurong, Singapore
Tel: 65-6-268-6868
fesinfo@molex.com

European Headquarters
Munich, Germany
Tel: 49-89-413092-0
eurinfo@molex.com

Corporate Headquarters
2222 Wellington Ct,
Lisle, Illinois 60532 USA
Tel: 630-969-4550